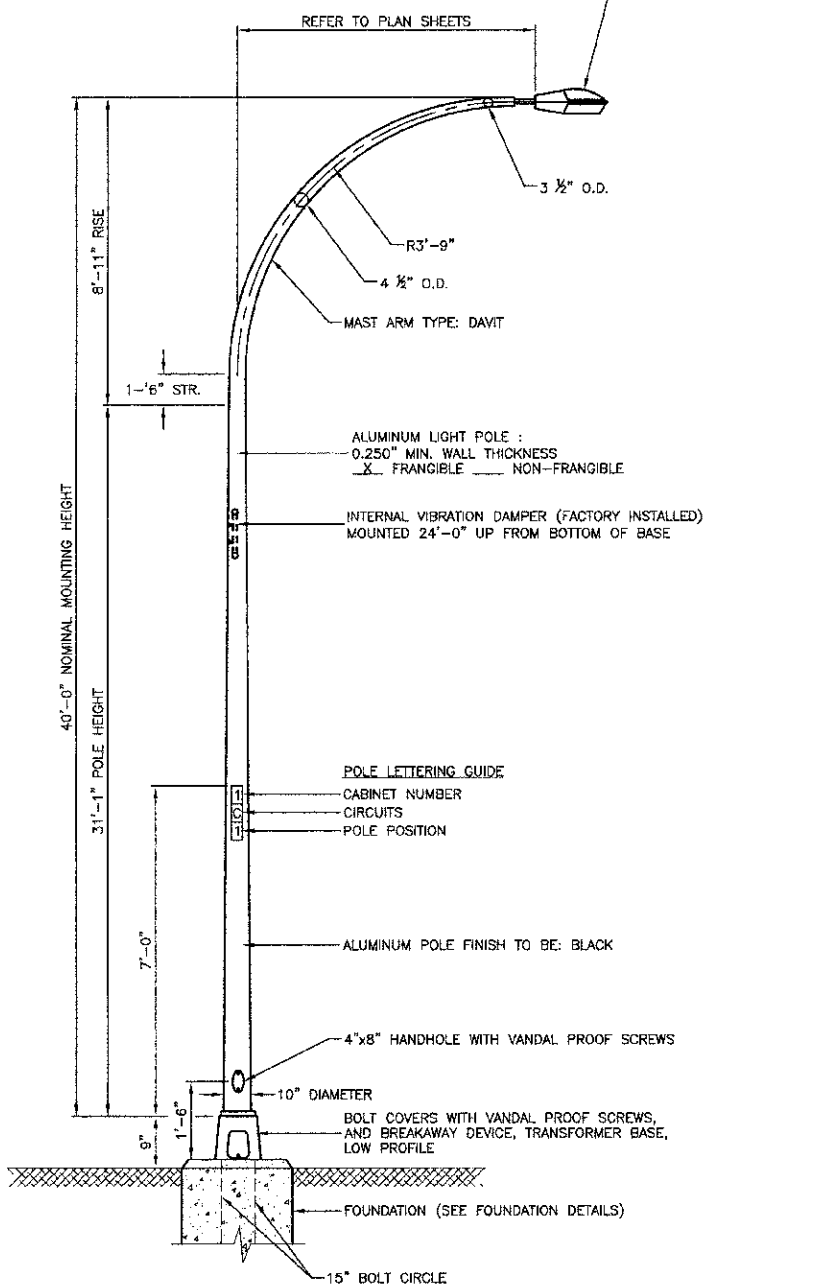


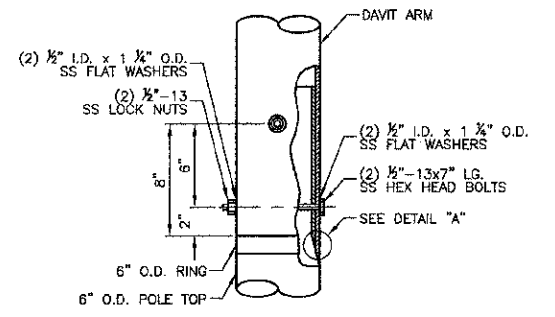
LUMINAIRE: FINISH TO BE BLACK
 250 WATT HIGH PRESSURE SODIUM LAMP
 240 VOLT BALLAST

I.E.S. TYPE: MC III LIGHT DISTRIBUTION
 LENS TYPE: FLAT
 INITIAL LAMP LUMENS: 28,000
 LAMP LIFE: 24,000 HOURS

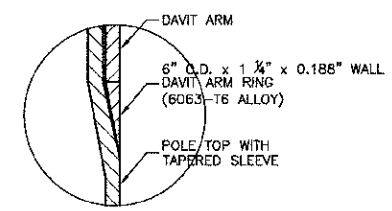


- NOTES:**
1. THE LIGHTING UNITS SHALL MEET AASHTO DESIGN CRITERIA. DESIGN FOR 90 M.P.H. WIND WITH 30% GUST AND 75 POUND LUMINAIRE HAVING AN E.P.A. OF 1.6 SQ. FT. AND PROPER ICE LOADING.
 2. ALUMINUM ALLOY 6063-T6 SHALL BE USED.

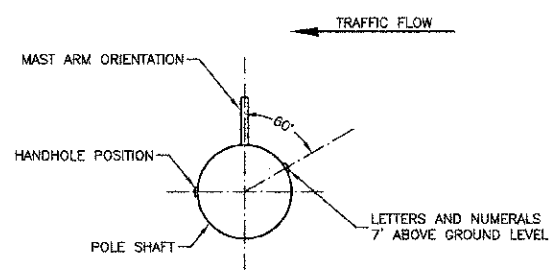
TYPICAL POLE INSTALLATION (40' MH)



CONNECTION DETAIL

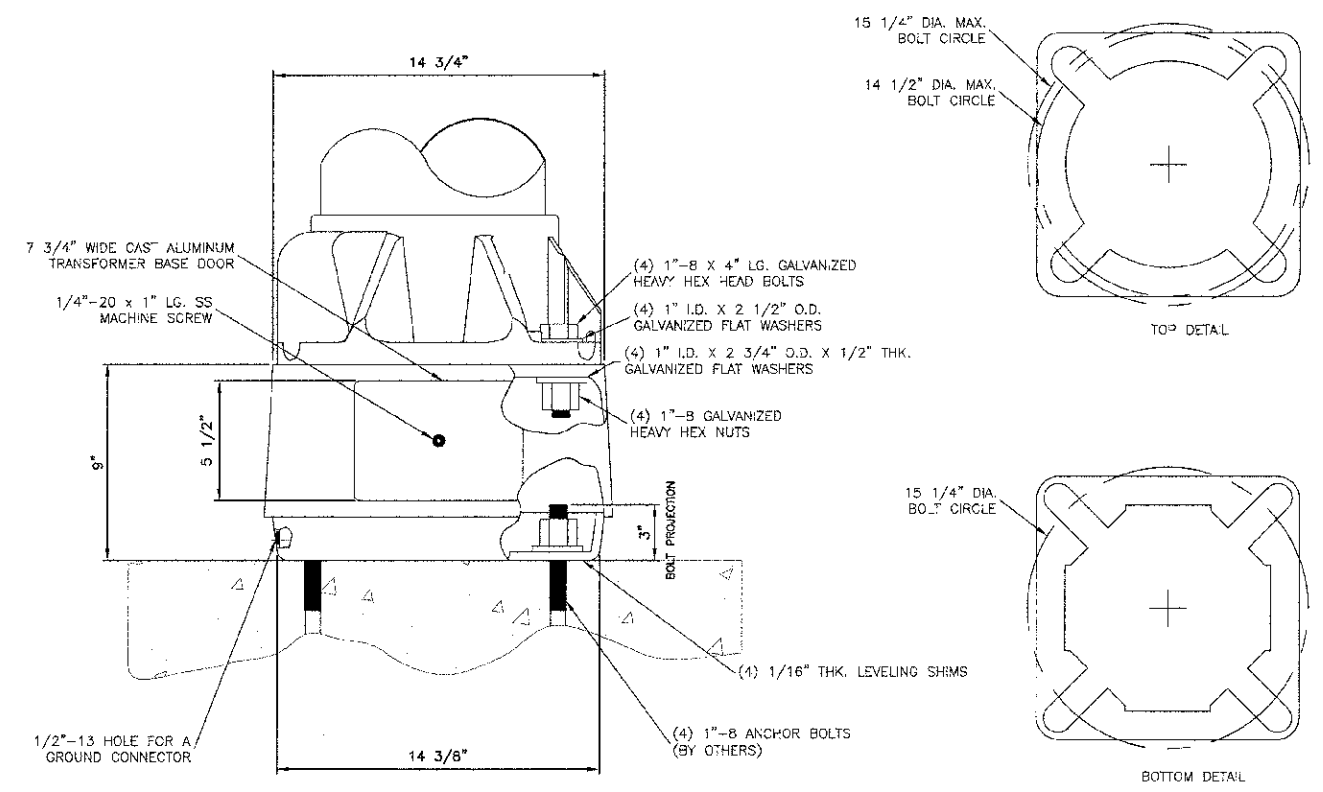


DETAIL "A"



POSITION OF HANDHOLE AND NUMERALS ON POLE

IMPORTANT NOTE:
 TRANSFORMER BASE AND LIGHTPOLE
 TO BE LEVELLED AS ONE UNIT.



TRANSFORMER BASE DETAIL

PROJECT NAME = 104R-DT-01 - 10/07/2011	USER NAME =	DESIGNED = PAP	REVISED =	STATE OF ILLINOIS DEPARTMENT OF TRANSPORTATION	122ND STREET TO 115TH STREET CENTRAL AVENUE STREET LIGHTING STREET LIGHTING DETAILS	F.A.U. RITE =	SECTION =	COUNTY =	TOTAL SHEETS =	SHEET NO. =
	PLOT SCALE =	CHECKED =	REVISED =			2796	10-00091-00-LT	COOK	10	8
PLOT DATE = 4-19-12	CHECKED = ACAD	DRAWN = MED	REVISED =	SCALE: SHEET NO. 6 OF 10 SHEETS STA. TO STA.		CONTRACT NO. 63721				
						FED. ROAD DIST. NO. 1 ILLINOIS FED. AID PROJECT M-9003(780)				