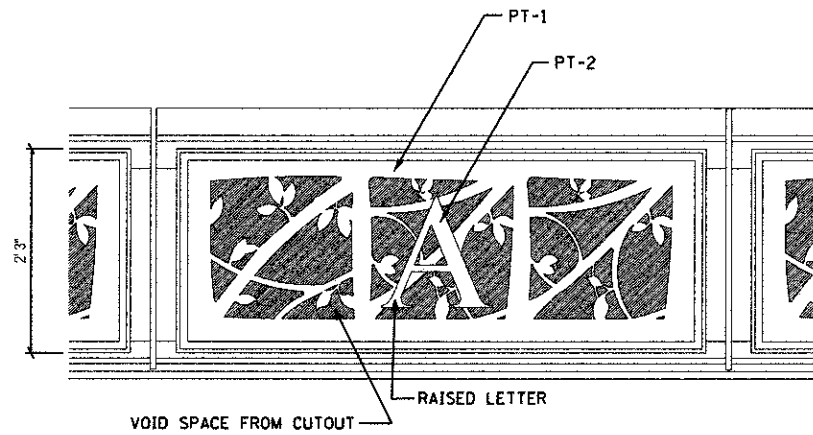
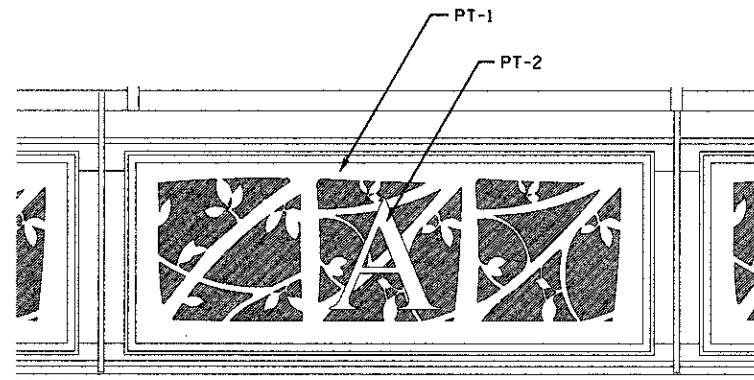


1 PLAN DETAIL
SCALE: 1" = 1'-0"



2 EXISTING ELEVATION AT NORTH GATEWAY
SCALE: 1" = 1'-0"

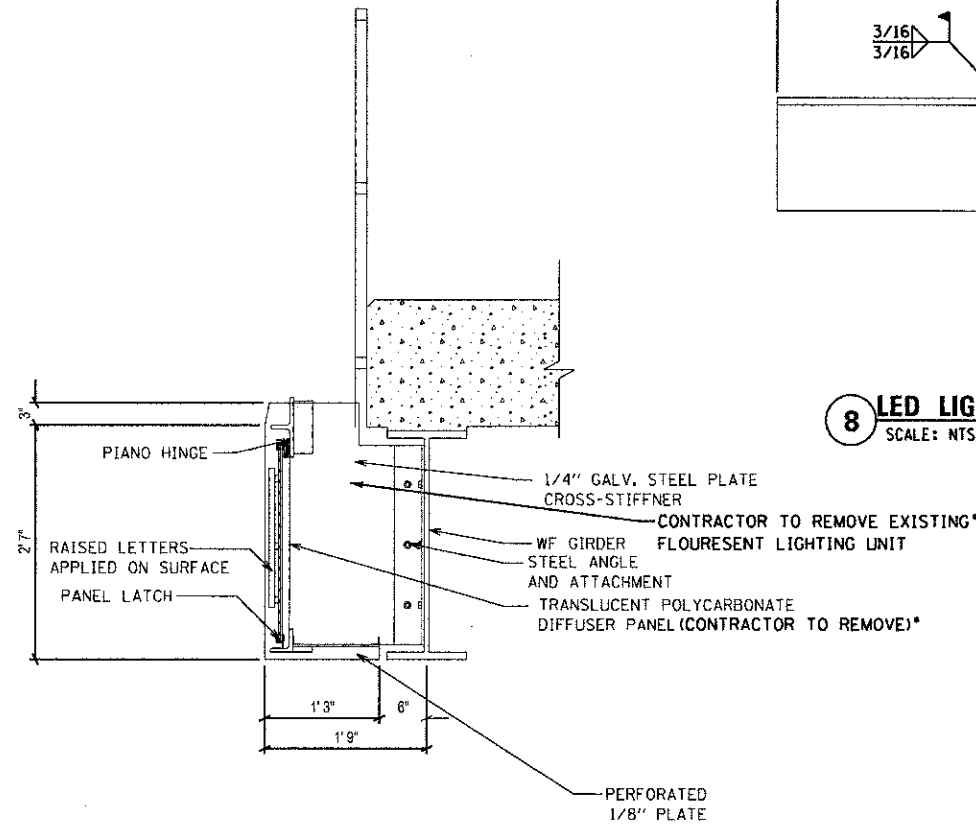
*CONTRACTOR TO REMOVE PANELS, CLEAN AND PAINT PANELS, INSTALL NEW RAISED LETTERS, WELD BRACKETS FOR LED LIGHTING AND REINSTALL PANELS.



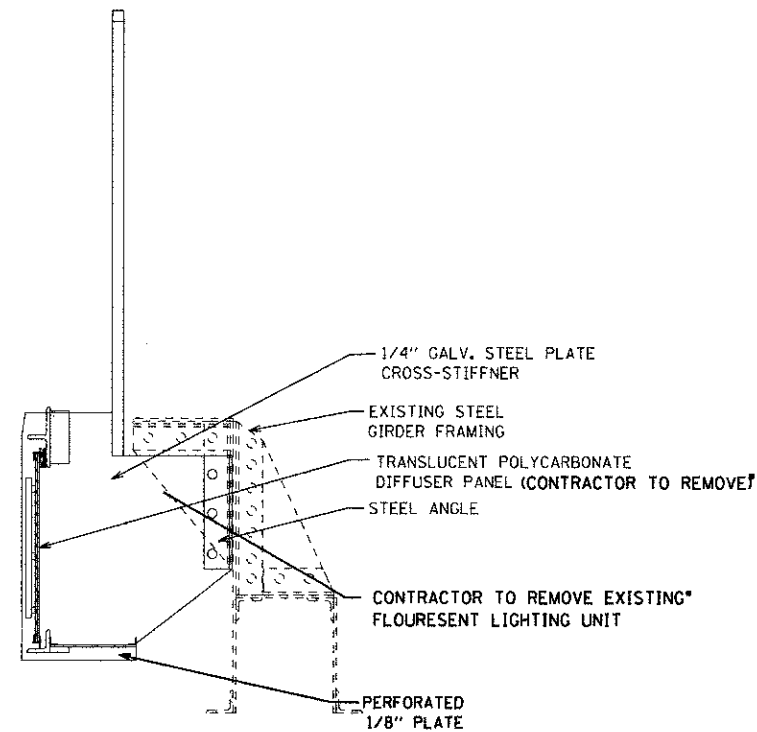
3 EXISTING ELEVATION AT SOUTH GATEWAY
SCALE: 1" = 1'-0"

*CONTRACTOR TO REMOVE PANELS, CLEAN AND PAINT PANELS, INSTALL NEW RAISED LETTERS, WELD BRACKETS FOR LED LIGHTING AND REINSTALL PANELS.

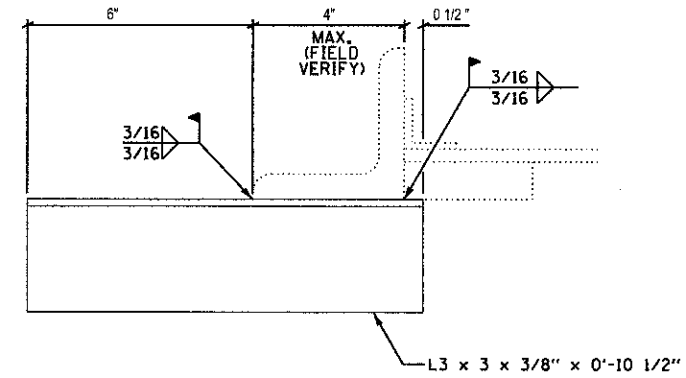
*DENOTES ALL WORK SHALL BE INCLUDED IN THE UNIT PRICE FOR SIGN TO BE RELOCATED AND WILL NOT BE MEASURED SEPARATELY FOR PAYMENT.



4 EXISTING SECTION AT NORTH GATEWAY
SCALE: 1" = 1'-0"



5 EXISTING SECTION AT SOUTH GATEWAY
SCALE: 1" = 1'-0"



8 LED LIGHTING SUPPORT DETAIL
SCALE: NTS

*LED LIGHTING - ILLUMILINE 36 IP OPTIC 30 RGB

*1 1/2" CONDUIT W/ ELCBL C COMM 16 1 PR

6 PROPOSED SECTION AT NORTH GATEWAY
SCALE: 1" = 1'-0"

*LED LIGHTING - ILLUMILINE 36 IP OPTIC 30 RGB

*1 1/2" CONDUIT W/ ELCBL C COMM 16 1 PR

7 PROPOSED SECTION AT SOUTH GATEWAY
SCALE: 1" = 1'-0"

FILE NAME = S:\JUL_18788-6794\6794\B12\Micro\CADD Sheets\0163722-sh1-mar-street-gateway.dwg

	1170 SOUTH HOUBOLT ROAD JOLIET, ILLINOIS 60431 (815) 744-4200	USER NAME = amanda_j	DESIGNED - JDM	REVISED -	STATE OF ILLINOIS DEPARTMENT OF TRANSPORTATION	MARION STREET GATEWAY DETAILS			F.A.U. RTE. 2783	SECTION 11-00253-00-LS	COUNTY COOK	TOTAL SHEETS 24	SHEET NO. 10
	PLOT SCALE = 8.000235' / in. PLOT DATE = 5/30/2012	CHECKED - MTC	REVISED -	DATE - 05-07-2012					REVISED -	SCALE: AS SHOWN	SHEET NO. OF SHEETS	STA. TO STA.	CONTRACT NO. 63722