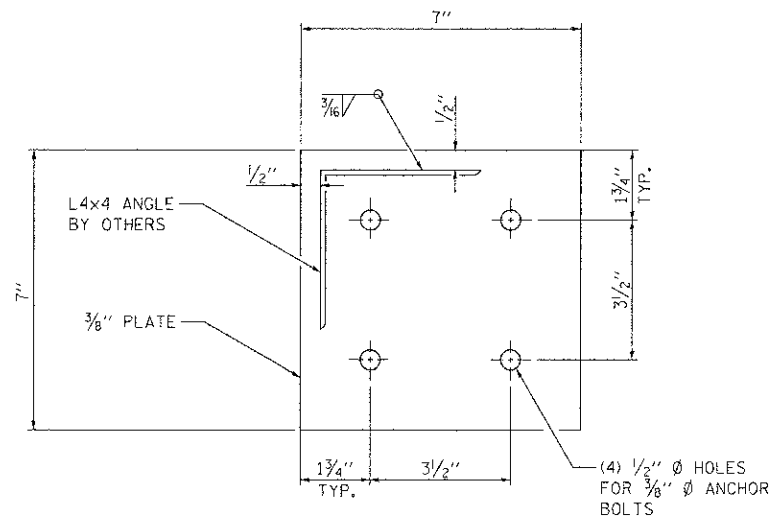


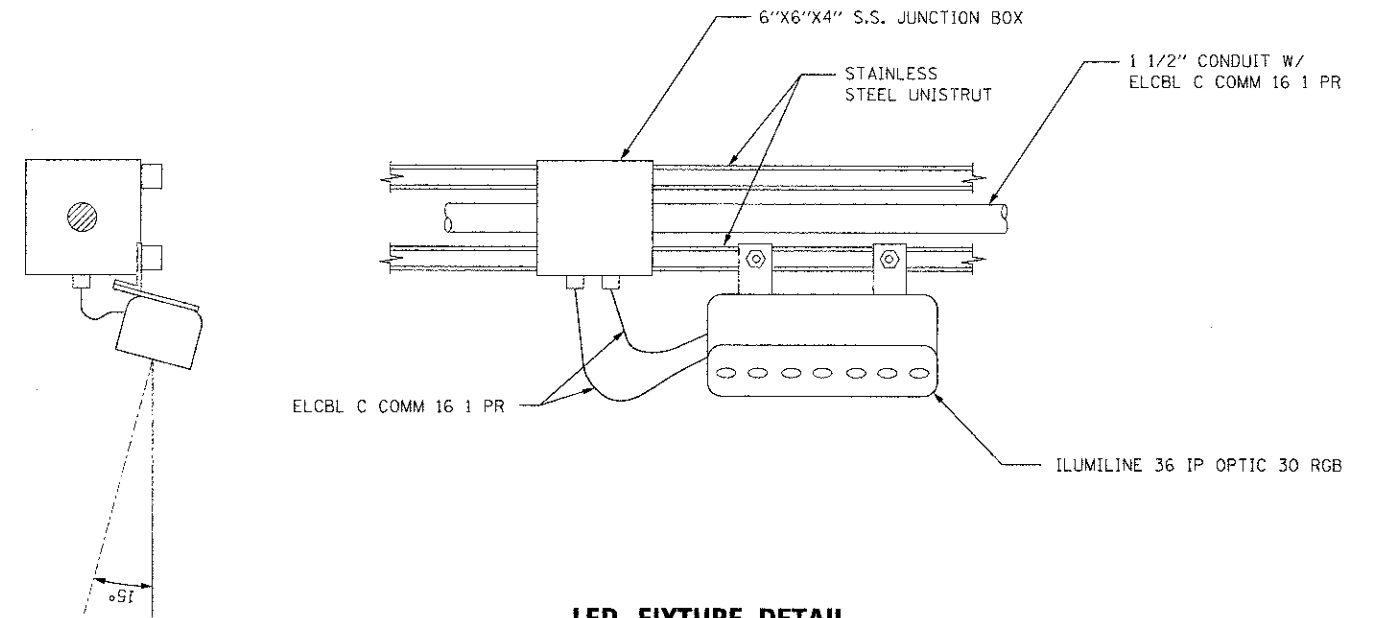
BASE PLATE DETAIL

DESIGN LOADING:

P = ±764 LBS (MAX FACTORED VERTICAL NET LOADING DUE TO WIND)
 V_y = ±870 LBS (MAX FACTORED HORIZONTAL NET LOADING PERPENDICULAR TO LONG. DIRECTION OF THE SIDEWALK DUE TO WIND)
 V_x = ±250 LBS (MAX FACTORED HORIZONTAL NET LOADING PARALLEL TO LONG. DIRECTION OF THE SIDEWALK DUE TO WIND)

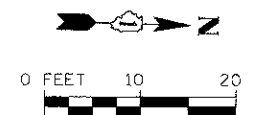


BASE PLATE DETAIL



LED FIXTURE DETAIL

APPLIES ONLY TO RIDGELAND AVENUE VIADUCT



FILE NAME = S:\JDL\6700-6798\6794\02\Microsof\CADD Sheets\063722_sht-elect-06.dgn

SA
STRAND
 ASSOCIATES
 1176 SOUTH HARBOLT ROAD
 JOLIET, ILLINOIS 60431
 (815) 744-4200

USER NAME = amanda.j	DESIGNED - JDM	REVISED -
PLOT SCALE = 10.0000' / 1" = 10'	DRAWN - JKP	REVISED -
PLOT DATE = 5/30/2012	CHECKED - MTC	REVISED -
	DATE - 05-07-2012	REVISED -

STATE OF ILLINOIS
 DEPARTMENT OF TRANSPORTATION

DETAILS

SCALE: SHEET OF SHEETS STA. TO STA.

F.A.U. RTE.	SECTION	COUNTY	TOTAL SHEETS	SHEET NO.
2783	11-00253-00-LS	COOK	24	15
CONTRACT NO. 63722				
ILLINOIS FED. AID PROJECT				