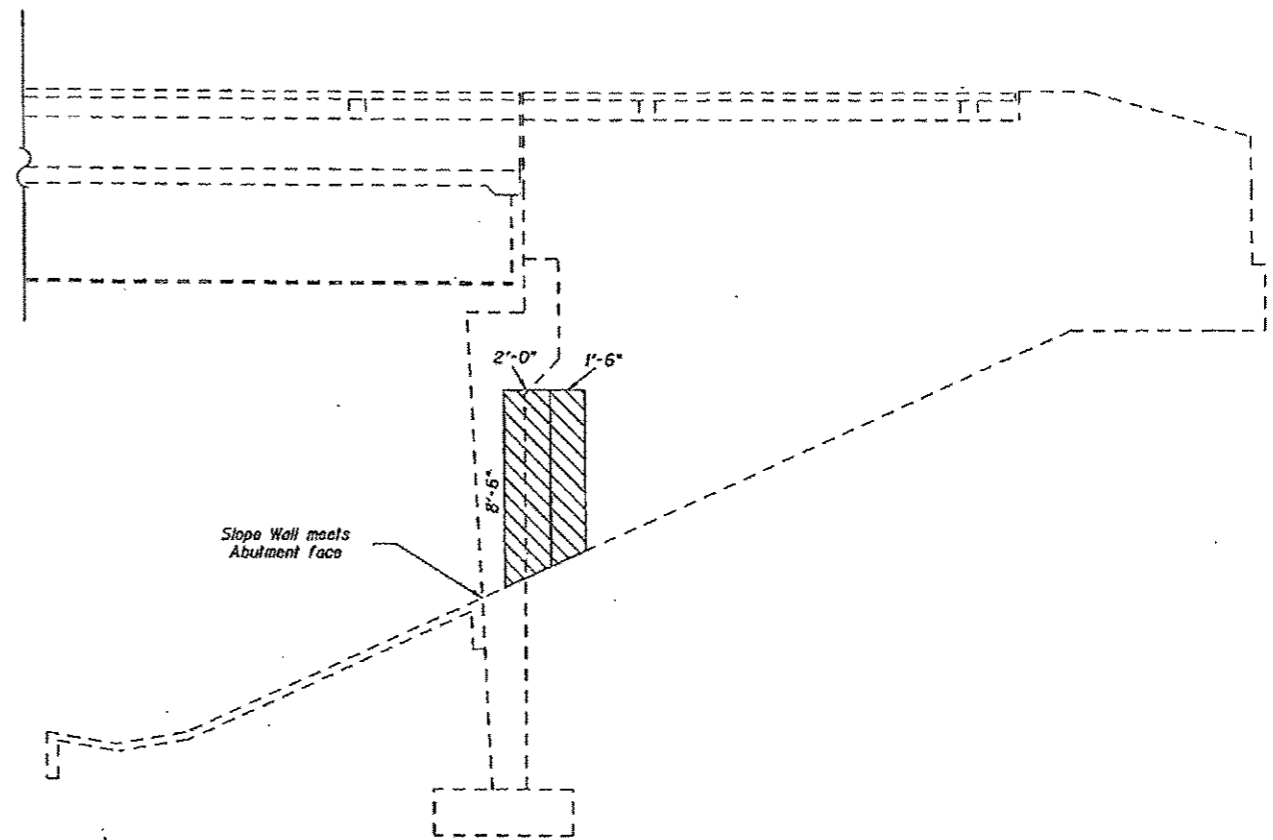
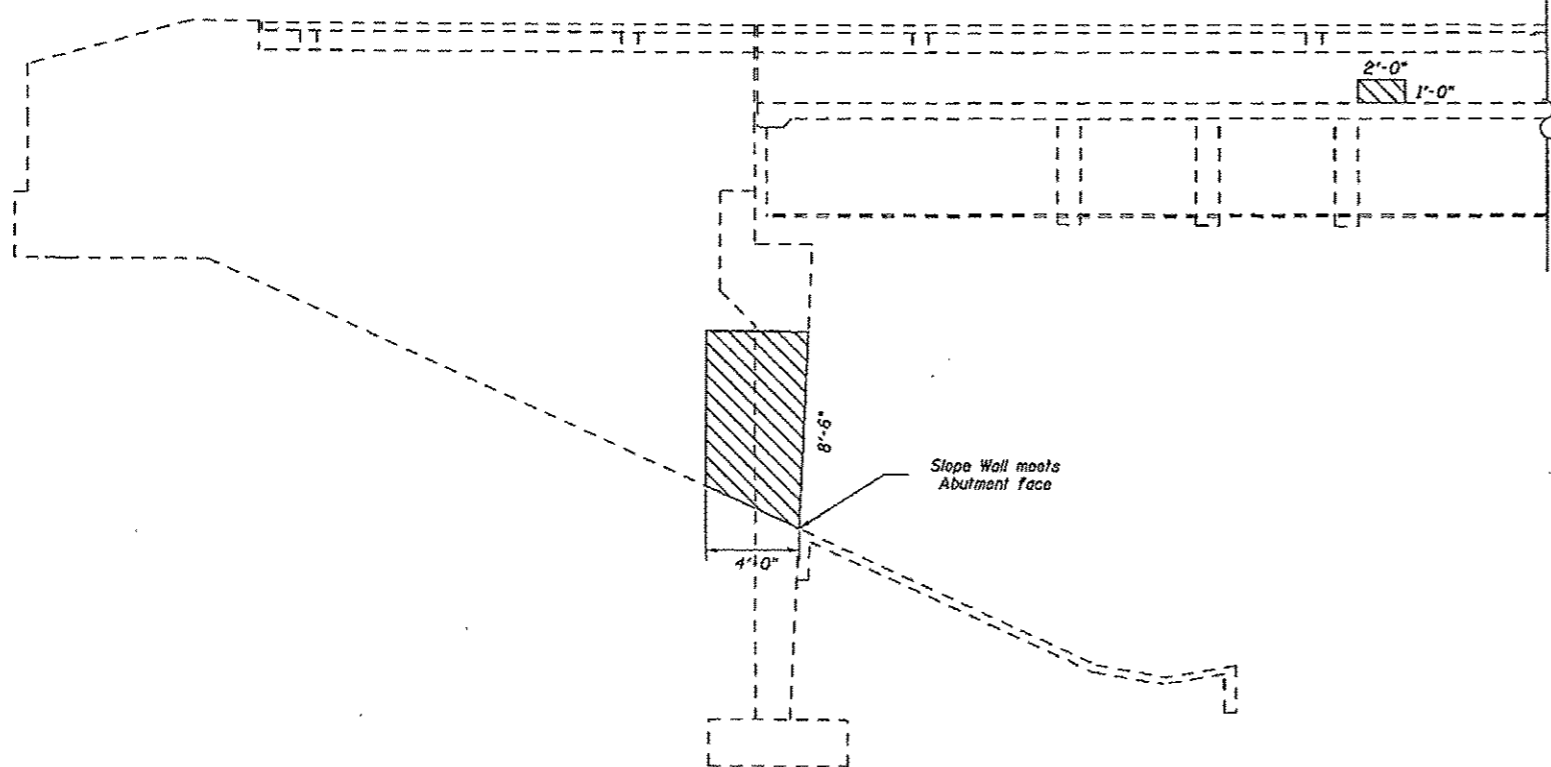


**WEST ABUTMENT**  
(LOOKING NORTH)



**NORTHEAST CORNER**  
(LOOKING WEST)



**NORTHWEST CORNER**  
(LOOKING EAST)

Structural Repair of Concrete (Depth  $\leq$  5")

**BILL OF MATERIAL**

Item	Unit	Total
Structural Repair of Concrete (Depth $\leq$ 5")	Sq. Ft.	212

**WEST ABUTMENT  
SUBSTRUCTURE REPAIRS**  
FAP 849 (IL. 142) OVER FAI 64  
STA. 2857+33.25  
S.N. 041-0062

\*\*09 CM BRIDGE REPAIR 2013-2

FILE NAME =	USER NAME = walkervo	DESIGNED - RAW	REVISED -	<b>STATE OF ILLINOIS DEPARTMENT OF TRANSPORTATION</b>	SCALE:	SHEET 8 OF 9 SHEETS	STA. TO STA.	F.A.P. RITE.	SECTION	COUNTY	TOTAL SHEETS	SHEET NO.
o:\p\work\p\p\p\walkervo\0908082\783	B-shi-plan.dgn	DRAWN - RAW	REVISED -					849	**	JEFFERSON	9	8
PLOT SCALE = 0.8382 / 1 in.		CHECKED - TWH	REVISED -					CONTRACT NO. 78308				
PLOT DATE = 5/11/2012		DATE - 4/10/2012	REVISED -					ILLINOIS FED. AID PROJECT				