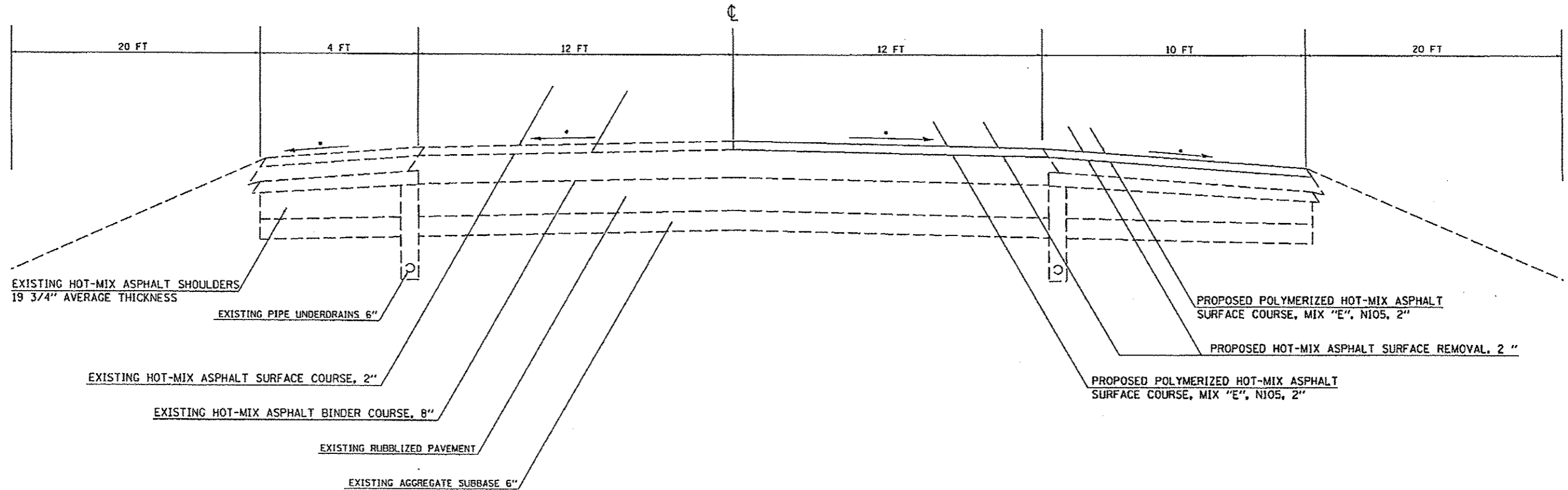


# TYPICAL SECTION



**TO BE USED:**  
 STA 558+83 TO STA 559+58  
 NORTHBOUND LANES

**NOTES:**  
 \* MATCH EXISTING CROSS SLOPE

FILE NAME *	USER NAME = greenleesm	DESIGNED -	REVISED -	<b>STATE OF ILLINOIS DEPARTMENT OF TRANSPORTATION</b>	<b>TYPICAL SECTION</b>		F.A.I. RTE.	SECTION	COUNTY	TOTAL SHEETS	SHEET NO.	
c:\pwwork\pndot\greenleesm\des166795\so.dgn		DRAWN -	REVISED -		SCALE:	SHEET NO. OF SHEETS	STA. TO STA.	57	09 PAVEMENT REPAIR 2013-1	FRANKLIN	6	4
		CHECKED -	REVISED -					CONTRACT NO, 78323				
		DATE -	REVISED -		ILLINOIS FED. AID PROJECT							