

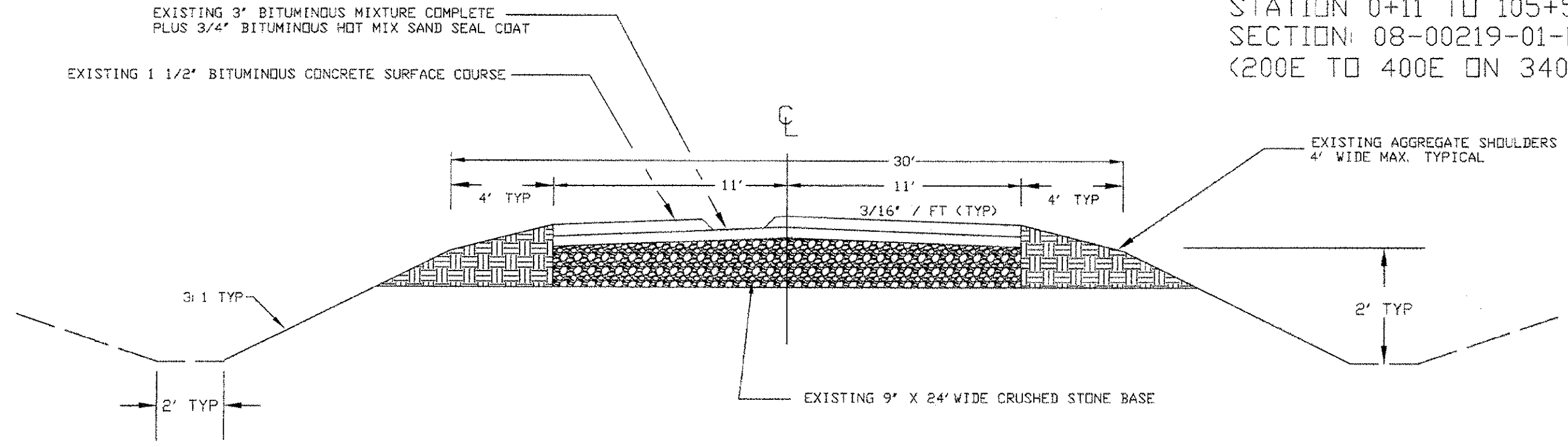
ROUTE NO. FAS 1322	SECTION 08-00222-02-RS & 08-00219-01-RS	COUNTY IROQUOIS	TOTAL SHEETS 5	SHEET NO. 4
-----------------------	--	--------------------	-------------------	----------------

JOB # C-93-087-12 PROJECT RS-1322(126)

CONTRACT 87526

EXISTING TYPICAL SECTION

STATION 0+11 TO 105+50
SECTION: 08-00219-01-RS
(200E TO 400E ON 3400N)



PROPOSED COLD IN - PLACE RECYCLING 4" OF EXISTING
HMA SURFACE COURSE, SAND SEAL MATERIAL,
& BITUMINOUS MIXTURE COMPLETE

PROPOSED 1 1/2" LEVEL BINDER
(MACHINE METHOD), N50

PROPOSED 1 1/4" HOT-MIX ASPHALT
SURFACE COURSE MIX "C" N50

PROPOSED TYPICAL SECTION

STATION 0+11 TO 105+50
SECTION: 08-00219-01-RS
(200E TO 400E ON 3400N)

