

1 ORNAMENTAL LIGHT UNIT, COMPLETE
E-602 SCALE: NONE

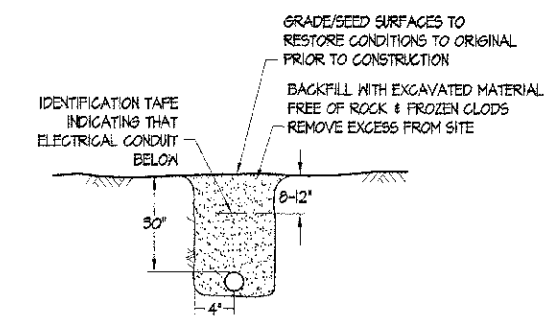
LUMINAIRE SPECIFICATIONS
 CATALOG NO.: K56-C-P-SAR-III-250(MOG)
 HPS-240-KPLIO-BK (OR APPROVED EQUAL)
 GLOBE MATL.: ACRYLIC TYPE III
 IES CLASSIFIC.: TYPE III
 WATTAGE: 250W
 LIGHT SOURCE: HIGH PRESSURE SODIUM
 LINE VOLTAGE: 240V
 PAINT: BLACK
 OPTIONS: KPL-10 LEVELLING DEVICE

POLE SPECIFICATIONS
 CATALOG NO.: KCH22-G-E10-FG
 3/4" KASO-S (OR APPROVED EQUAL)
 OCTAGONAL MIDNIGHT LACE
 FINISH: ETCHED
 SECTION: 5-3/8" FL/FL
 COLOUR: 10"φ
 POLE TOP: 27'-0"
 POLE BUTT: 1461 lbs.
 APPROX WEIGHT:

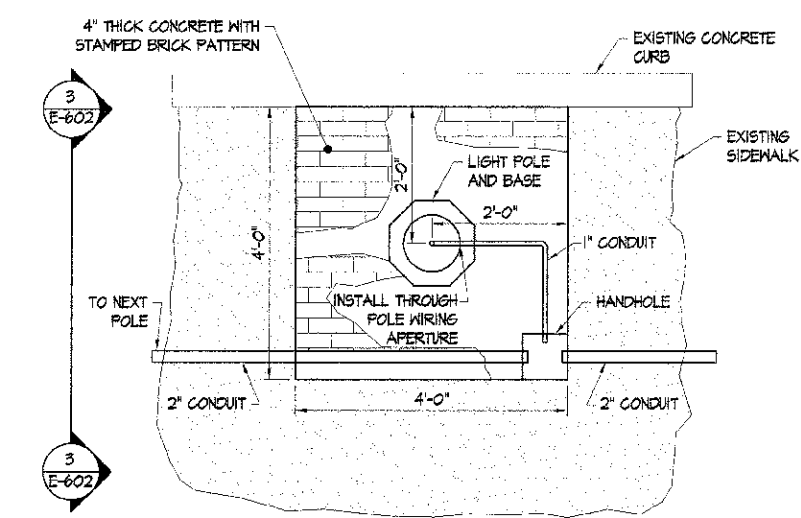
ARM SPECIFICATIONS
 CATALOGUE NO.: KASO-S-120-BK
 QUANTITY: 10
 MATERIAL: ALUMINUM
 PAINT: BLACK

FLAGPOLE HOLDERS
 PROVIDE A FLAGPOLE HOLDER ON EACH POLE MOUNTED ON A 45 DEGREE ANGLE AT 4 FEET 3 INCHES ABOVE GRADE. HOLDER SHALL BE PROVIDED BY THE POLE MANUFACTURER.

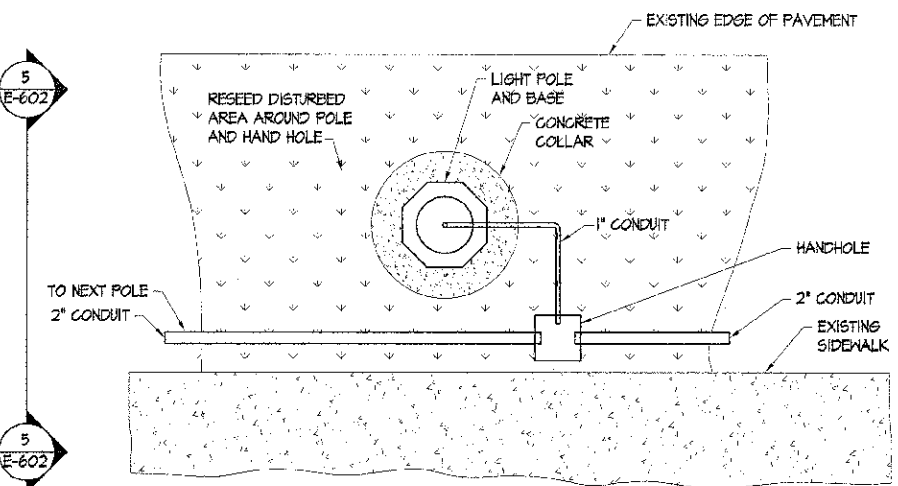
BANNER ARMS
 PROVIDE ONE SET OF BANNER ARMS ON EACH POLE MOUNTED WITH THE TOP ARM AT 16 FEET ABOVE GRADE AND THE BOTTOM ARM AT 12 FEET ABOVE GRADE. BANNER ARMS SHALL BE PROVIDED BY THE POLE MANUFACTURER.



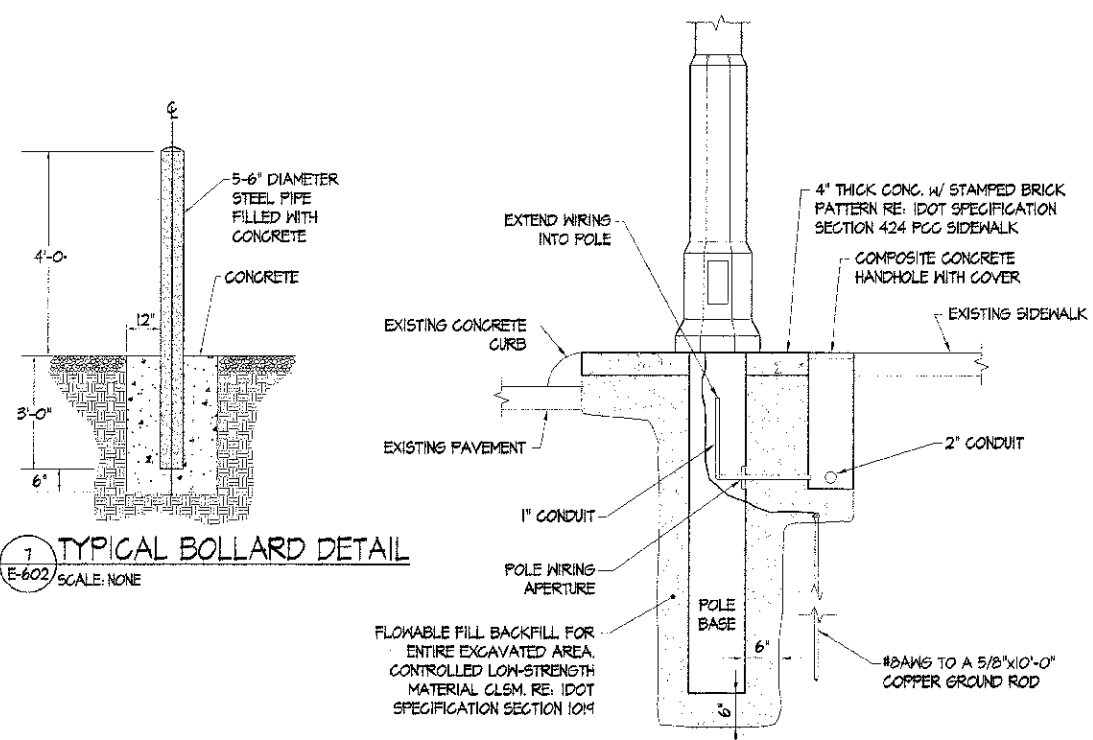
6 TRENCH DETAIL - UNIMPROVED AREAS
E-602 SCALE: NONE



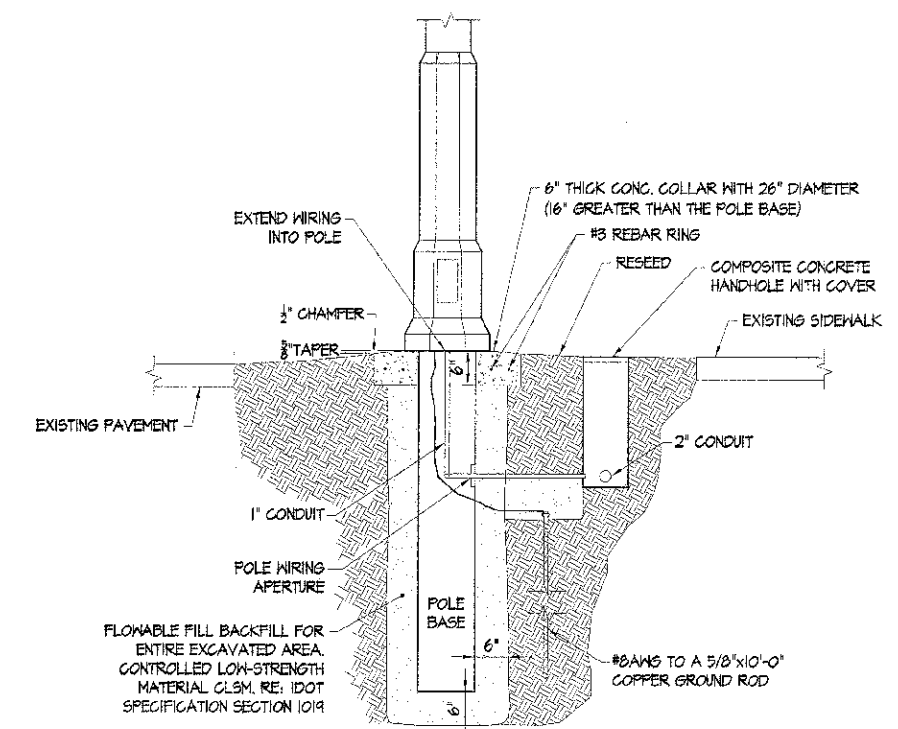
2 DECORATIVE LIGHT POLE BASE
E-602 SCALE: 3/4" = 1'-0"



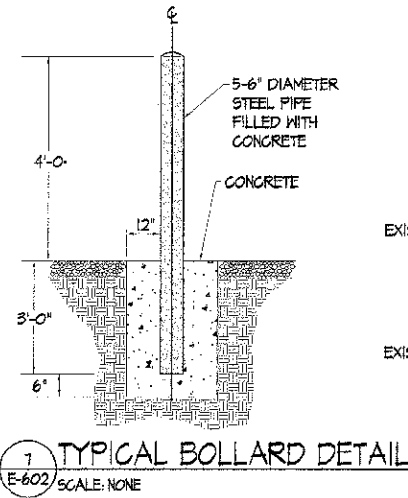
4 LIGHT POLE FOUNDATION - SPECIAL
E-602 SCALE: 3/4" = 1'-0"



3 DECORATIVE LIGHT POLE BASE
E-602 SCALE: 3/4" = 1'-0"



5 LIGHT POLE FOUNDATION - SPECIAL
E-602 SCALE: 3/4" = 1'-0"



7 TYPICAL BOLLARD DETAIL
E-602 SCALE: NONE

HN
 HENEGHAN
 AND ASSOCIATES, P.C.
 ENGINEERS - SURVEYORS
 1024 STATE HIGHWAY 16,
 JERSEYVILLE, IL
 #1.619-490-0416
 DESIGN FIRM NO. 184-002862
 EXPIRES APRIL 30, 2013

HR
 HURST-ROSCHÉ
 ENGINEERS, INC.
 PROFESSIONAL DESIGN NUMBER: 184-000000
 1400 E. TREMONT
 HILLSBORO, IL
 PH: 217.532.3959
 F: 217.532.3212

Energy Pies
 ASSOCIATES
 8437 STEELCREST LANE
 TROY, IL
 PH: 618.667.0000
 F: 618.667.0001

BOYD G. POHMEYER
 082-648939
 LICENSED
 PROFESSIONAL
 ENGINEER
 STATE OF ILLINOIS
 SIGNATURE: *Boyd G. Pohmeyer*
 DATE: 3/30/2012
 LICENSE EXPIRES: 11/30/2013

BUNKER HILL STREET LIGHTING REPLACEMENT
 BUNKER HILL, MACOUPIN COUNTY, ILLINOIS

MARK	DATE	DESCRIPTION

DATE: 03/20/12
 PROJECT NO.: 153-4191
 DESIGN: BCP DRAWN: BG CHECK: MAR2

POLE & BASE DETAILS

SECTION	COUNTY	TOTAL SHEETS	SHEET NO.
10-00003-01-LT	MACOUPIN	6	6
CITY OF BUNKER HILL	CONTRACT 93580		

E-602