

**EAST ABUTMENT  
BILL OF MATERIAL**

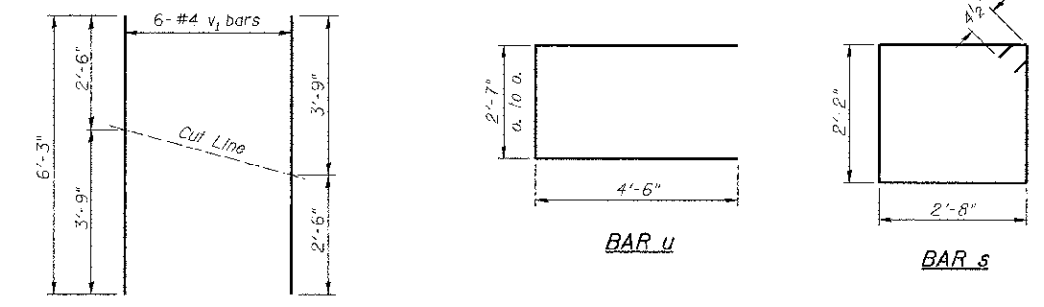
BAR	NO.	SIZE	LENGTH	SHAPE
h	6	#4	32'-9"	—
h <sub>1</sub>	27	#4	6'-6"	—
p	10	#7	32'-9"	—
s	34	#4	10'-5"	□
u	6	#6	11'-7"	□
y	66	#4	3'-2"	—
v <sub>1</sub>	12	#4	6'-3"	—
Concrete Structures		CU YD	12.6	
Reinforcement Bars		POUND	1,420	
Structure Excavation		CU YD	35	
Furnishing Steel Piles		FOOT	116	
HP10x42				
Driving Piles		FOOT	116	
Test Pile Steel HP10x42		EACH	1	
Concrete Encasement		CU YD	1.7	

**DESIGN STRESSES**  
 $f'_c = 3,500$  p.s.i.  
 $f_y = 60,000$  p.s.i.

- NOTES**
- The Backwall and the portion of the Wingwalls above the bonded construction joint shall be cast against the in-plane beam.
  - Reinforcement bars shall conform to ASTM A706 Grade 60.

**PILE DATA**

Type & Size: Steel HP10x42  
 Nominal Required Bearing: 335 kips  
 Factored Resistance Available: 184 kips  
 Est. Length: 23'  
 No. Req'd: 5 (Includes 1 Test Pile)



**BAR CUTTING DIAGRAM**  
 \*Order v<sub>1</sub> bars full length. Cut as shown and use remainder of bars in opposite face.

**EAST ABUTMENT  
PIKE COUNTY  
SECTION 10-00085-00-BR  
C.H. 10 OVER BAY CREEK TRIBUTARY**

SHEET NO. 9 12 SHEETS	ROUTE NO.	SECTION	COUNTY	TOTAL SHEETS	SHEET NO.
	CH 10	10-00085-00-BR	PIKE	23	15
	S.N. 075-3323		CONTRACT NO. 93582		
FED. ROAD DIST. NO. 7 ILLINOIS			FED. AID PROJECT BR5-0603(115)		