

ROUTE	SECTION	COUNTY	TOTAL SHEETS	SHEET NO.
T.R. 283	10-15110-00-BR	EFFINGHAM	15	2
CONTRACT NO. 95665		ILLINOIS	PROJECT BROS-0049(159)	

DESIGN DATA

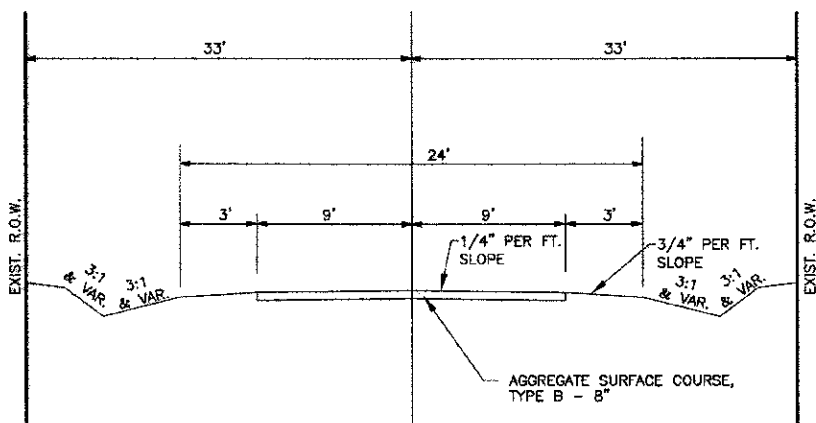
RURAL LOCAL ROAD
ADT = 75

GENERAL NOTES

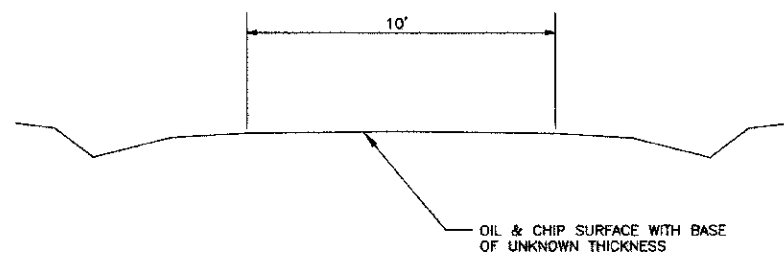
- SEEDING: THIS WORK SHALL BE PERFORMED IN ACCORDANCE WITH THE APPLICABLE PORTIONS OF SECTION 250 OF THE STANDARD SPECIFICATIONS AND SHALL BE PAID FOR AT THE CONTRACT UNIT PRICE FOR SEEDING CLASS 2 (SPECIAL).
 - SPRING SEEDING SHALL EXTEND FROM JANUARY 1 TO JUNE 30
FALL SEEDING SHALL EXTEND FROM JULY 1 TO DECEMBER 31
 - FERTILIZER NUTRIENTS SHALL BE APPLIED AT THE RATE OF 100 LB/ACRE
 - MULCHING SHALL BE DONE IN ACCORDANCE WITH ARTICLE 251 OF THE STANDARD SPECIFICATIONS AND SHALL BE DONE BY METHOD 2, PROCEDURE 1 AT THE RATE OF 2 TONS PER ACRE.
- NO PAYMENT FOR OVERHAUL WILL BE MADE ON THIS SECTION.

SUMMARY OF QUANTITIES			
CODE NO.	ITEM	UNIT	QUANTITY
X2501000	SEEDING, CLASS 2 (SPECIAL)	ACRE	0.30
20100110	TREE REMOVAL (6 TO 15 UNITS DIAMETER)	UNIT	54
20100210	TREE REMOVAL (OVER 15 UNITS DIAMETER)	UNIT	96
20200100	EARTH EXCAVATION	CU YD	180
20300100	CHANNEL EXCAVATION	CU YD	280
20400800	FURNISHED EXCAVATION	CU YD	245
28000305	TEMPORARY DITCH CHECKS	FOOT	21
28000400	PERIMETER EROSION BARRIER	FOOT	81
28100807	STONE DUMPED RIPRAP, CLASS A4	TON	285
28300400	AGGREGATE DITCH	TON	72
35101400	AGGREGATE BASE COURSE, TYPE B	TON	75
40200800	AGGREGATE SURFACE COURSE, TYPE B	TON	325
50100100	REMOVAL OF EXISTING STRUCTURES	EACH	1
50300225	CONCRETE STRUCTURES	CU YD	24.6
50300280	CONCRETE ENCASEMENT	CU YD	2.8
50400505	PRECAST PRESTRESSED CONCRETE DECK BEAMS (27" DEPTH)	SQ FT	1474
50800205	REINFORCEMENT BARS, EPOXY COATED	POUND	3340
* 50900205	STEEL RAILING, TYPE S1	FOOT	123
51201400	FURNISHING STEEL PILES HP 10X42	FOOT	315
51202305	DRIVING PILES	FOOT	315
51203400	TEST PILE STEEL HP 10 X 42	EACH	1
51500100	NAME PLATES	EACH	1
542D0217	PIPE CULVERTS, CLASS D, TYPE 1 12"	FOOT	24
542D0220	PIPE CULVERTS, CLASS D, TYPE 1 15"	FOOT	26
67100100	MOBILIZATION	L. SUM	1

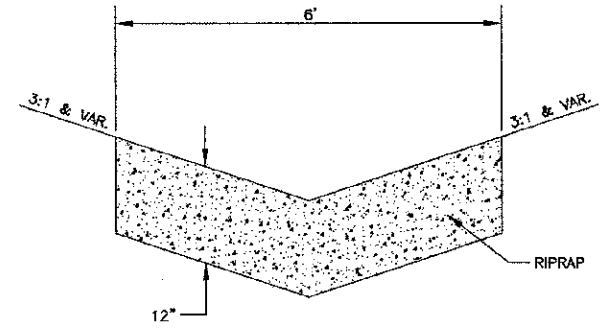
* SPECIALTY ITEMS



TYPICAL SECTION
PROPOSED

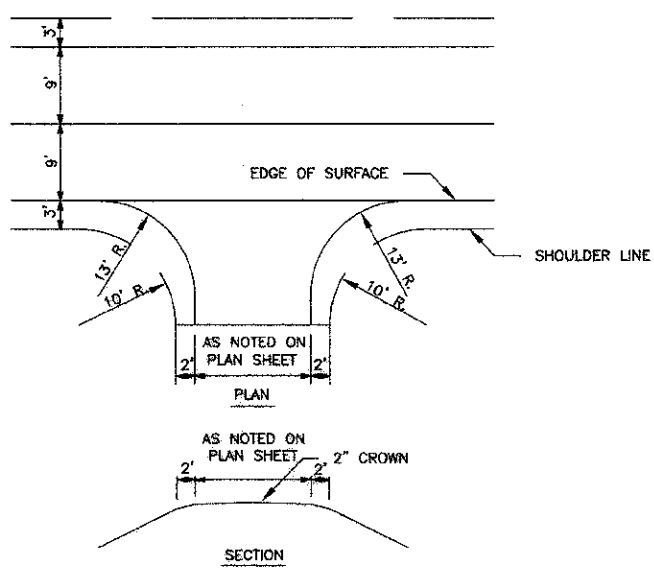


TYPICAL SECTION
EXISTING



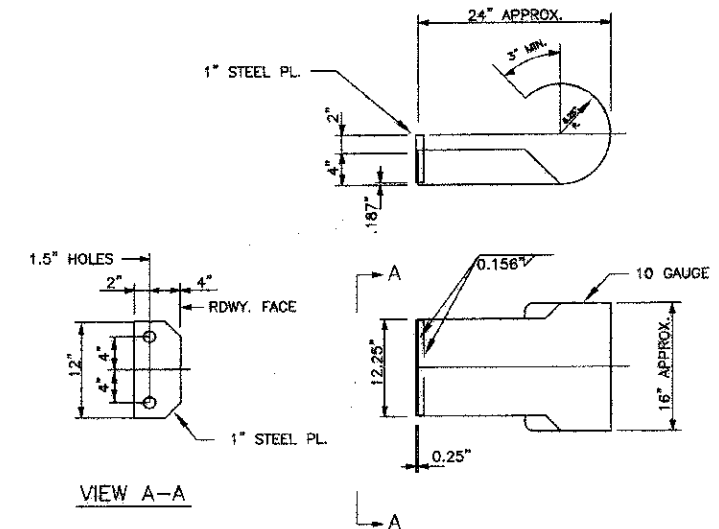
AGGREGATE DITCH DETAIL

LT. STA. 4+69 TO 5+30
RT. STA. 4+12 TO 5+30



FIELD ENTRANCE DETAIL

RT. STA. 2+50
LT. STA. 3+00



CURLED END SECTION DETAILS

4 REQUIRED - COST INCLUDED IN
STEEL RAILING, TYPE S-1"