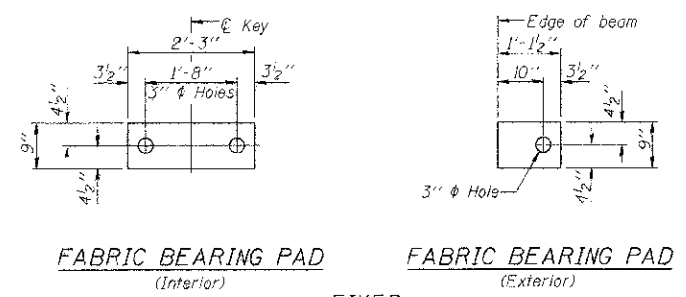
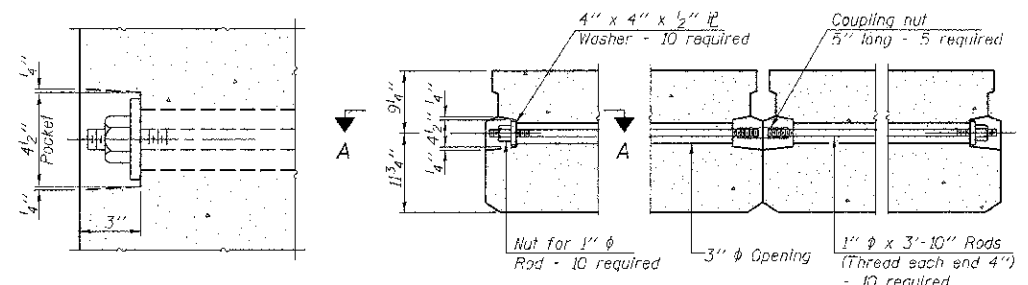


ROUTE NO.	SECTION	COUNTY	TOTAL SHEETS	SHEET NO.
T.R. 56	05-07161-00-BR	MACON	16	13
FED. ROAD DIST. NO.		ILLINOIS PROJECT: BR05-0115(068)	CONTRACT NO. 95686	

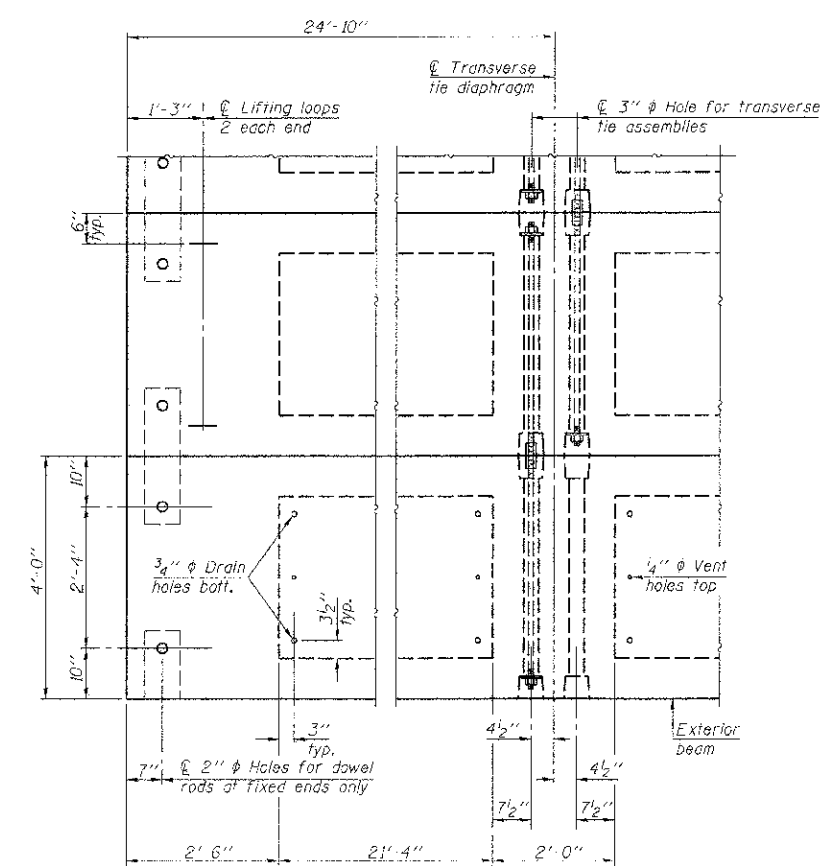


FABRIC BEARING PAD (Interior) FABRIC BEARING PAD (Exterior)
FIXED

Notes:
 All bearing pads shall be 1" thick.

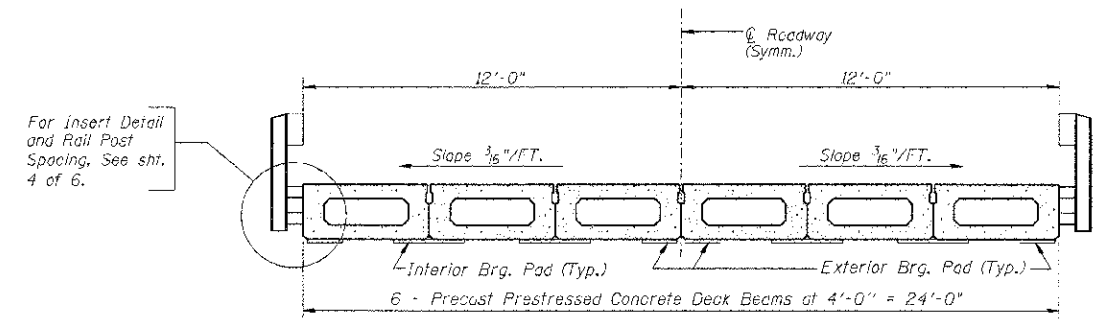


SECTION A-A TYPICAL TRANSVERSE TIE ASSEMBLY

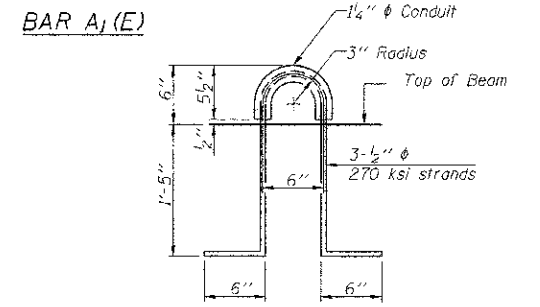
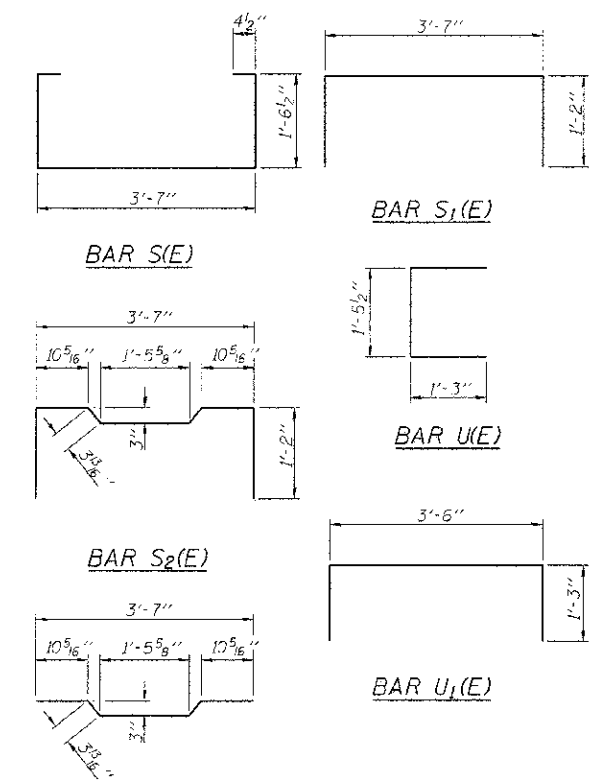


PLAN VIEW

Note: Connect beams in pairs with the transverse tie configuration shown.



CROSS SECTION



LIFTING LOOP DETAIL

BILL OF MATERIAL

Precast Prestressed Conc. Deck Bms. (21" depth)	Sq. Ft.	1192
---	---------	------

NOTES

- Prestressing steel shall be uncoated high strength, low relaxation 7-wire strand, Grade 270. The nominal diameter shall be 1/2" and the nominal cross-sectional area shall be 0.153 sq. in.
- The 1" diameter rods in the transverse tie assembly shall be tightened to a snug fit and the threads set. Pockets on exterior faces of bridge shall be filled with grout after transverse tie assembly is in place.
- Reinforcement bars shall conform to ASTM A 706, Grade 60. (See Special Provisions).
- Two 1/8" fabric adjusting shims of the dimensions of the exterior bearing pad shall be provided for each bearing pad location.
- A minimum 2 1/2" diameter lifting pin shall be used to engage the lifting loops during handling.
- Corrosion Inhibitor, per Article 1020.05(b)(12) and 1021.05 of the Standard Specifications, shall be used in the concrete for precast prestressed concrete deck beams.
- Compressive strength of prestressed concrete, f'c, shall be 6000 psi.
- Compressive strength of prestressed concrete at release, f'cr, shall be 5000 psi.

21" X 48" PPC DECK BEAM DETAILS

Date	Designed: MJP	T.R. 56 OVER UNNAMED DRAINAGE DITCH	Sheet No.
Revisions	Drawn: BKN	SECTION 05-07161-00-BR	3
	Checked: KWB	MACON COUNTY	
	Approved: KWS	STA. 15+05.80	
Prepared by:	URS 345 East Ash Avenue	PROP. STR. NO. C58-3382	of 6
	Decatur, IL 62526		URS Job No. 36431683