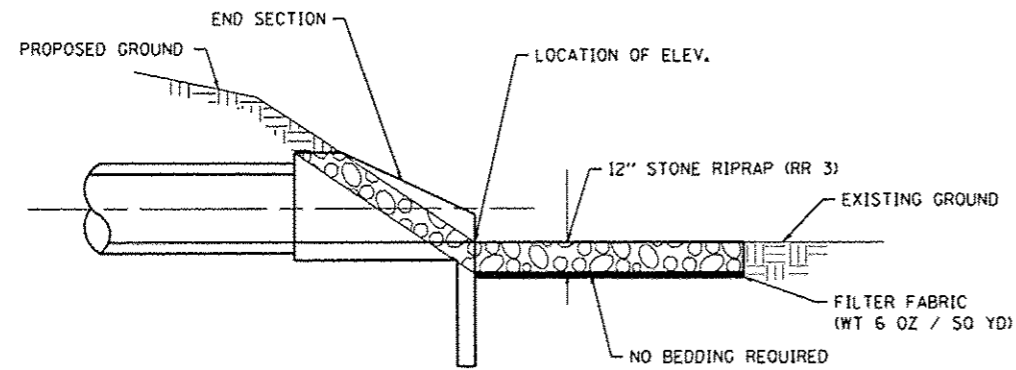
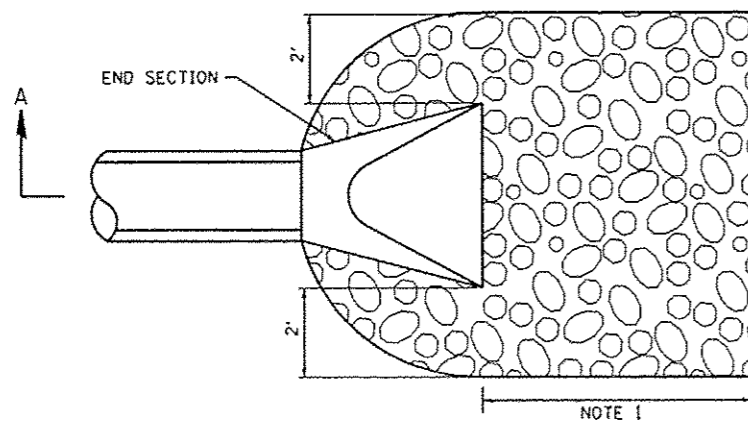


**CONCRETE GUTTER, TYPE B (SPECIAL)**  
(NOT TO SCALE)



**SECTION A-A**

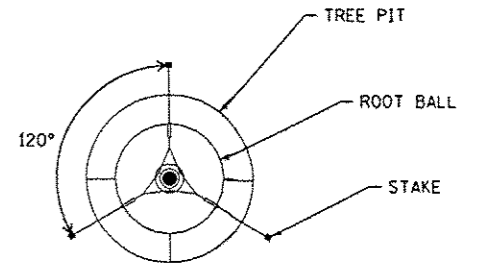


**PLAN VIEW**

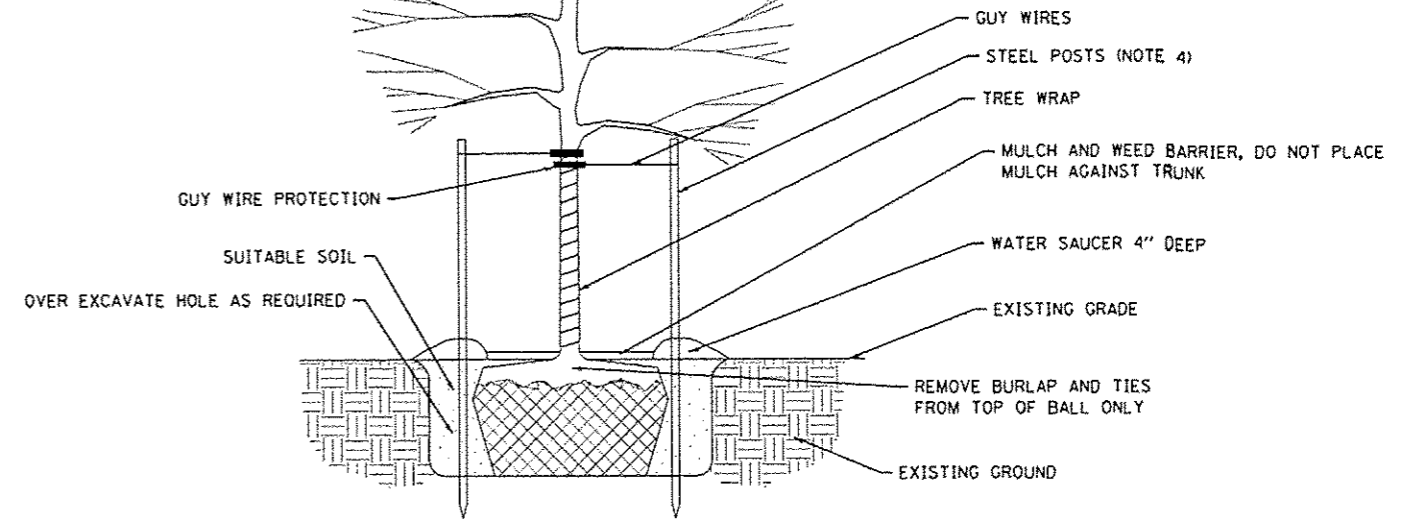
**STONE RIPRAP DETAIL**  
(NOT TO SCALE)

NOTE 1: SEE EROSION & SEDIMENT CONTROL SHEETS FOR DIMENSIONS

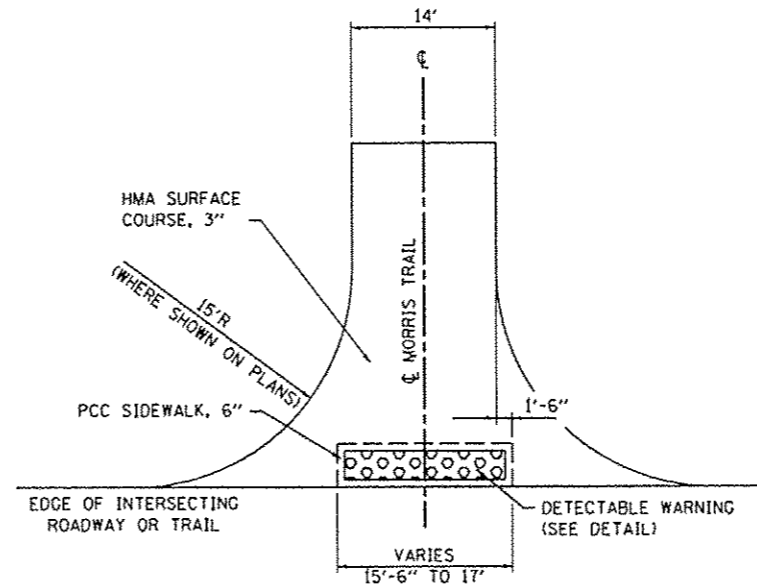
- NOTES**
1. SEE SECTION 253 OF THE "STANDARD SPECIFICATIONS FOR ROAD AND BRIDGE CONSTRUCTION" FOR ADDITIONAL GUIDANCE.
  2. ALL TREE MATERIALS, INCLUDING TOPSOIL, MULCH, WEED BARRIER FABRIC, BRACING, WRAP, SOIL, SHALL BE INCLUDED IN THE COST OF THE TREE.
  3. LAYOUT ALL TREE LOCATIONS FOR APPROVAL PRIOR TO INSTALLATION.
  4. SEE SPECIAL PROVISION FOR TREE PROTECTION, SPECIAL



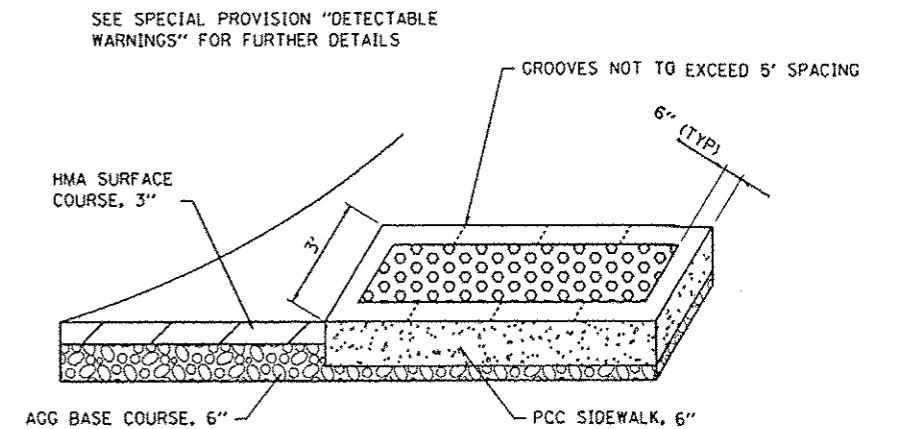
**STAKE SPACING**



**TREE PLANTING DETAIL**  
(NOT TO SCALE)



**INTERSECTION DETAIL**  
STA. 10+05 AND STA. 46+95  
(NOT TO SCALE)



**DETECTABLE WARNING DETAIL**  
(NOT TO SCALE)

FILE NAME * 0029873-shs-detail.dgn	USER NAME * randy	DESIGNED -	REVISED -	<b>STATE OF ILLINOIS DEPARTMENT OF TRANSPORTATION</b>	<b>CONSTRUCTION DETAILS</b>			F.A. RTE.	SECTION	COUNTY	TOTAL SHEETS	SHEET NO.	
	PLOT TIME * 1:44:35 PM	DRAWN -	REVISED -		SCALE: NTS	SHEET NO. 2 OF 3 SHEETS	STA.	TO STA.	10-00006-01-BT	MADISON	33	22	
	PLOT SCALE * 40.0000 / IN.	CHECKED -	REVISED -						MORRIS TRAIL				CONTRACT NO. 97499
	PLOT DATE * 5/30/2012	DATE -	REVISED -										ILLINOIS FED. AID PROJECT