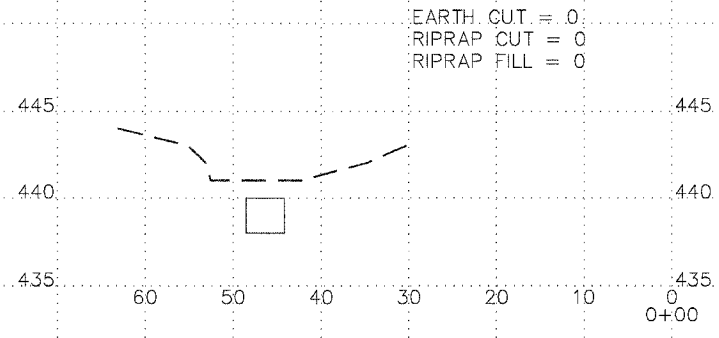
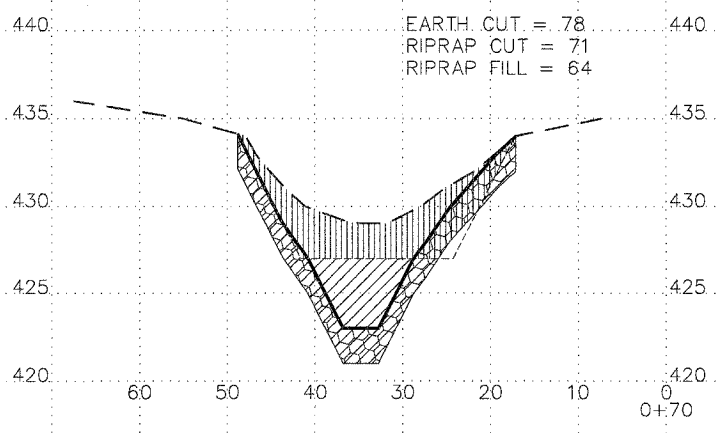
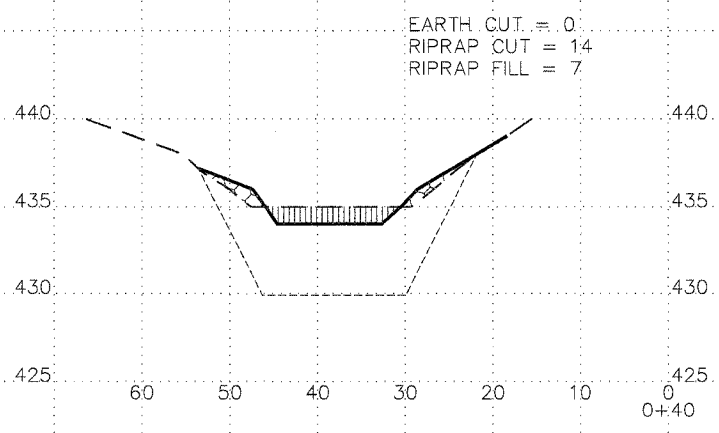
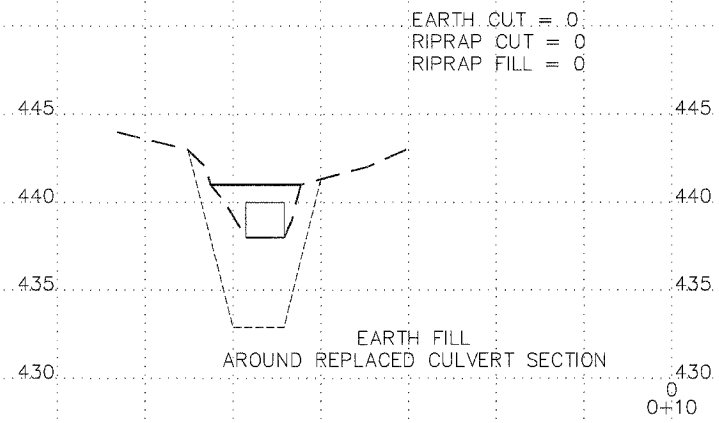
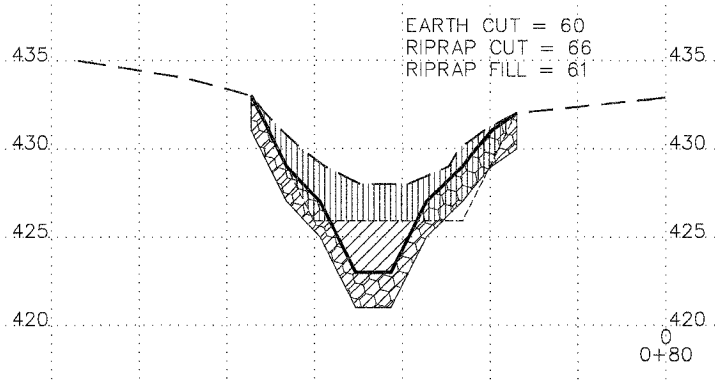
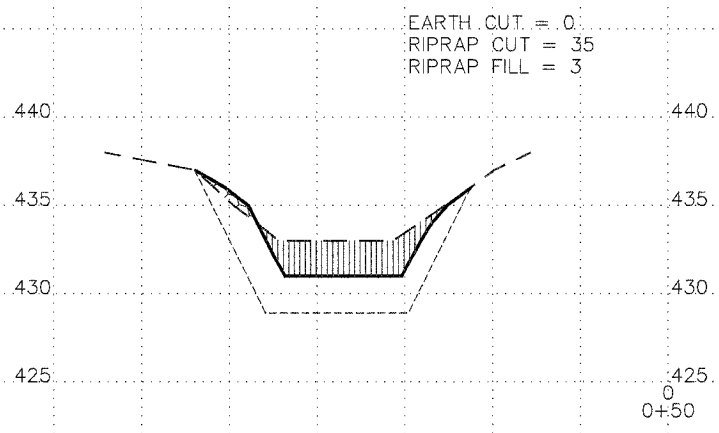
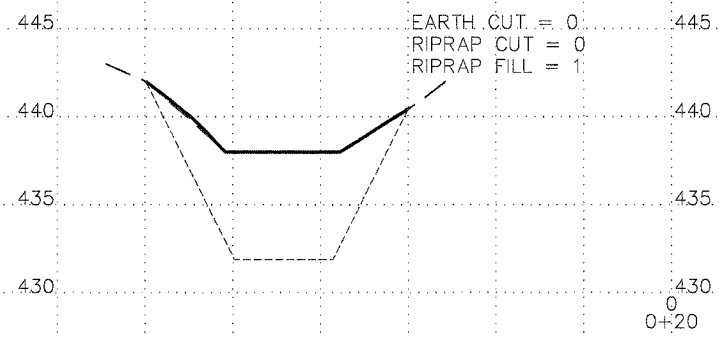
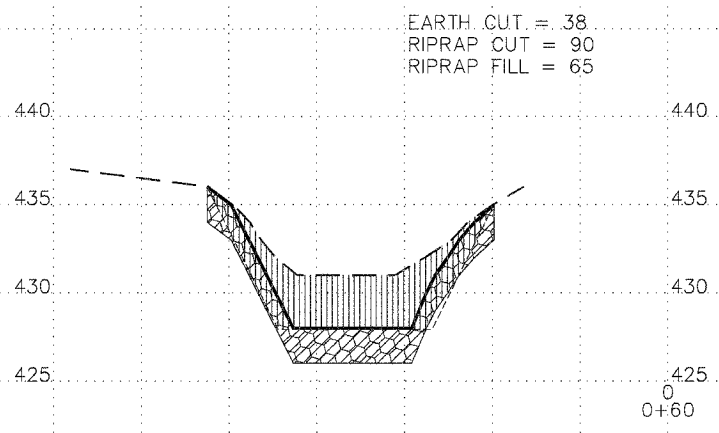
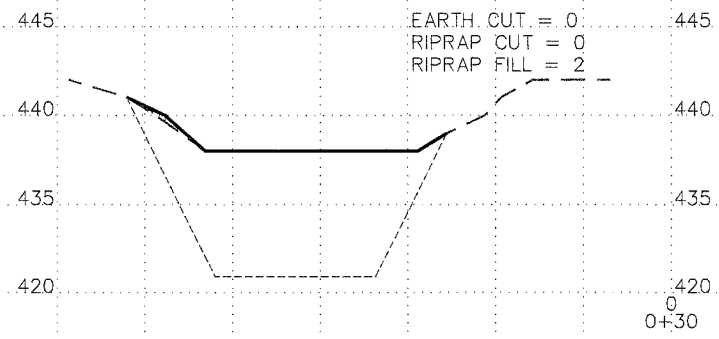
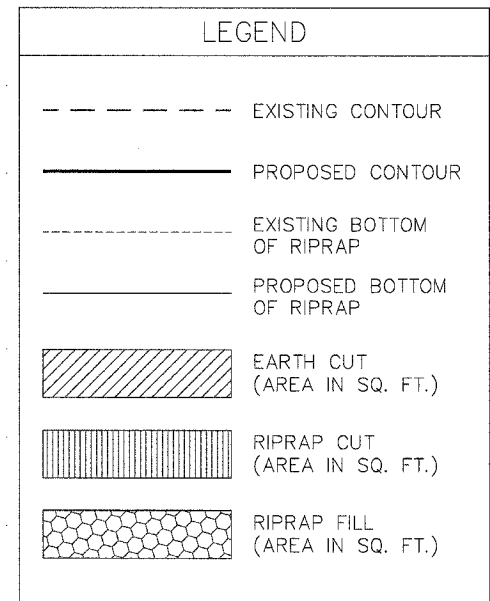


WILLIAMSON COUNTY AIRPORT
 REMEDIAL RECLAMATION PROJECT
 AML-GWmE-0514
 WILLIAMSON COUNTY



Horizontal Scale 10
 Vertical Scale 5