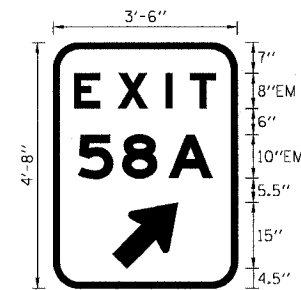


SIGN DETAIL



BORDER CORNER RADIUS = 6"
THICKNESS = 1"

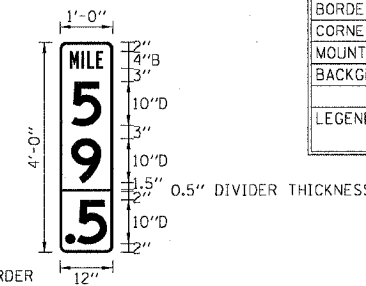
SIGN NUMBER	PS05-02
WIDTH x HEIGHT	3'-6" x 4'-8"
BORDER WIDTH	1.5"
CORNER RADIUS	6"
MOUNTING	BARRIER/RETAINING WALL
BACKGROUND	TYPE: REFLECTIVE
LEGEND/BORDER	COLOR: GREEN
	TYPE: REFLECTIVE
	COLOR: WHITE

SYMBOL	X	Y	WID	HT
ARUP	13.5	4.6	12.6	18.9

DIMENSIONS ARE IN INCHES, TENTHS LETTER LOCATIONS ARE PANEL EDGE TO LOWER LEFT CORNER

LETTER POSITIONS (X)					LENGTH SERIES, SIZE	
E	X	I	T			
4.8	14.7	25.7	31.3		32.3	EM8
5	8	A			30.6	EM10
5.7	15.7	26.3				

SIGN DETAIL



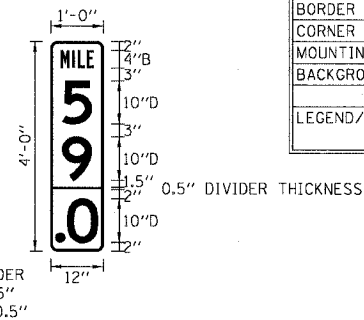
BORDER R=1.5"
TH=0.5"

SIGN NUMBER	MM59.5
WIDTH x HEIGHT	1'-0" x 4'-0"
BORDER WIDTH	0.5"
CORNER RADIUS	1.5"
MOUNTING	BARRIER/RETAINING WALL
BACKGROUND	TYPE: REFLECTIVE
LEGEND/BORDER	COLOR: Green
	TYPE: REFLECTIVE
	COLOR: White

DIMENSIONS ARE IN INCHES, TENTHS LETTER LOCATIONS ARE PANEL EDGE TO LOWER LEFT CORNER

LETTER POSITIONS (X)					LENGTH SERIES, SIZE	
M	I	L	E			
2.3	5	6.2	8.3		7.5	B4
5					6.8	D10
2.6					6.8	D10
9					9.5	D10
2.6						
.	5					
1.2	3.9					

SIGN DETAIL



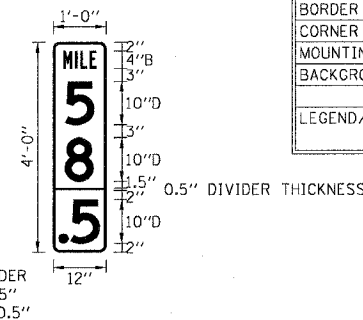
BORDER R=1.5"
TH=0.5"

SIGN NUMBER	MM59.0
WIDTH x HEIGHT	1'-0" x 4'-0"
BORDER WIDTH	0.5"
CORNER RADIUS	1.5"
MOUNTING	BARRIER/RETAINING WALL
BACKGROUND	TYPE: REFLECTIVE
LEGEND/BORDER	COLOR: GREEN
	TYPE: REFLECTIVE
	COLOR: WHITE

DIMENSIONS ARE IN INCHES, TENTHS LETTER LOCATIONS ARE PANEL EDGE TO LOWER LEFT CORNER

LETTER POSITIONS (X)					LENGTH SERIES, SIZE	
M	I	L	E			
2.3	5	6.2	8.3		7.5	B4
5					6.8	D10
2.6					6.8	D10
9					9.8	D10
2.6						
.	0					
1.1	3.8					

SIGN DETAIL



BORDER R=1.5"
TH=0.5"

SIGN NUMBER	MM58.5
WIDTH x HEIGHT	1'-0" x 4'-0"
BORDER WIDTH	0.5"
CORNER RADIUS	1.5"
MOUNTING	BARRIER/RETAINING WALL
BACKGROUND	TYPE: REFLECTIVE
LEGEND/BORDER	COLOR: GREEN
	TYPE: REFLECTIVE
	COLOR: WHITE

DIMENSIONS ARE IN INCHES, TENTHS LETTER LOCATIONS ARE PANEL EDGE TO LOWER LEFT CORNER

LETTER POSITIONS (X)					LENGTH SERIES, SIZE	
M	I	L	E			
2.3	5	6.2	8.3		7.5	B4
5					6.8	D10
2.6					6.6	D10
8					9.5	D10
2.6						
.	5					
1.2	3.9					

F.A.I. RTE.	SECTION	COUNTY	TOTAL SHEETS	SHEET NO.
90/94		COOK	312	125
STA. TO STA.				
FED. ROAD DIST. NO. 1 ILLINOIS FED. AID PROJECT				
60A62 • (1919.15, 2021-922 PT1 & PT2) R-1				

P:\P0468\CH\IN\B-ctrls\16 & 19\dwg\ctr\180\signing_plan\spd012.dwg 3:36:32 PM 6/15/2006