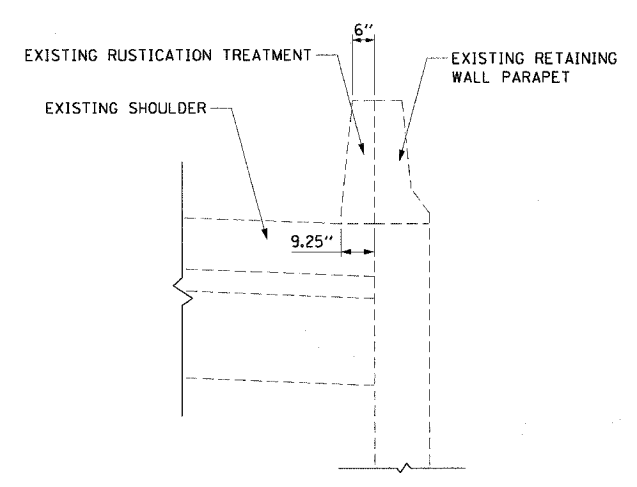
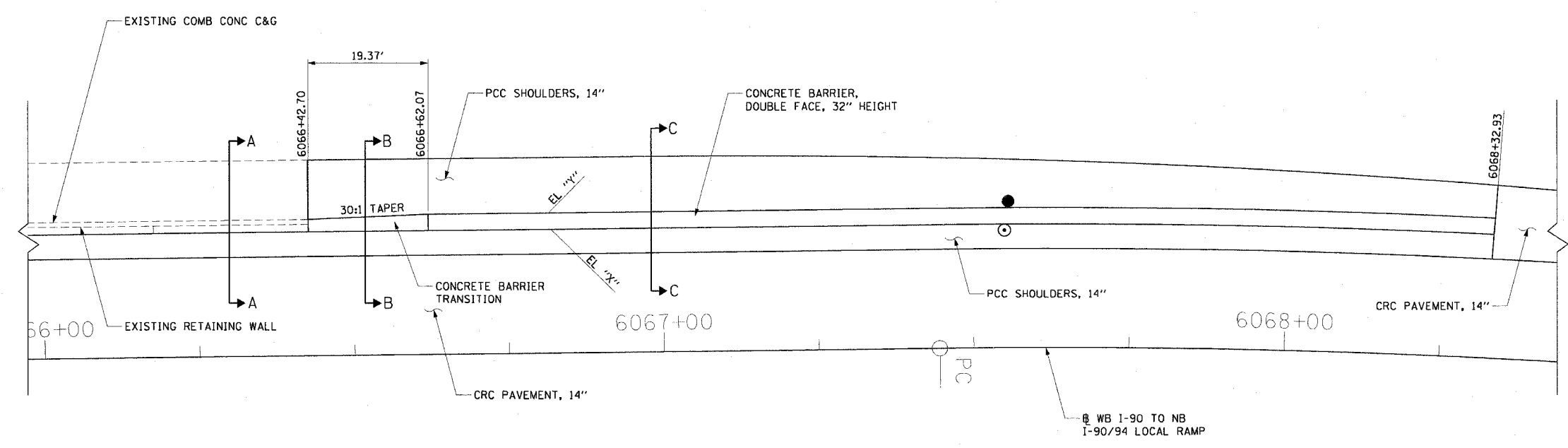
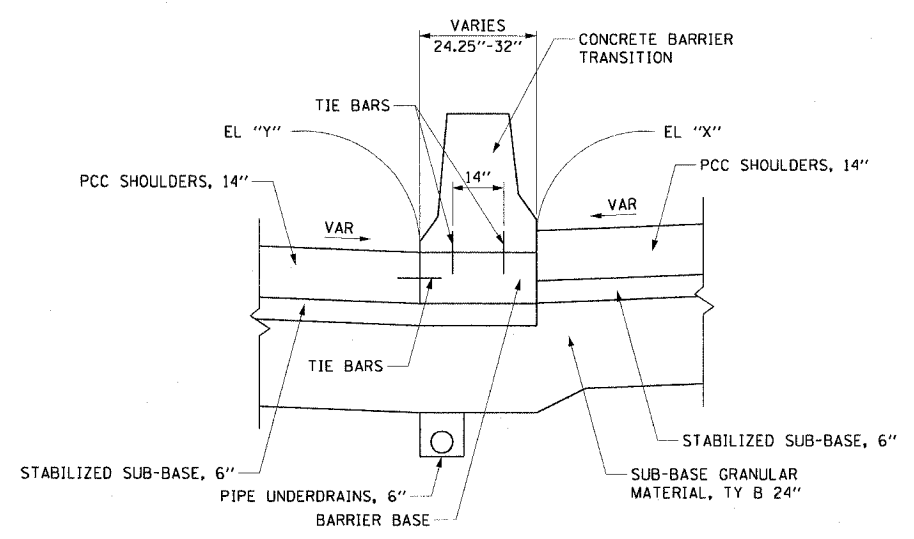


F.A.I. RTE.	SECTION	COUNTY	TOTAL SHEETS	SHEET NO.
90/94	*	COOK	312	212
STA.		TO STA.		
60A62		ILLINOIS FED. AID PROJECT		
		(1919.15, 2021-922 PT1 & PT2) R-1		

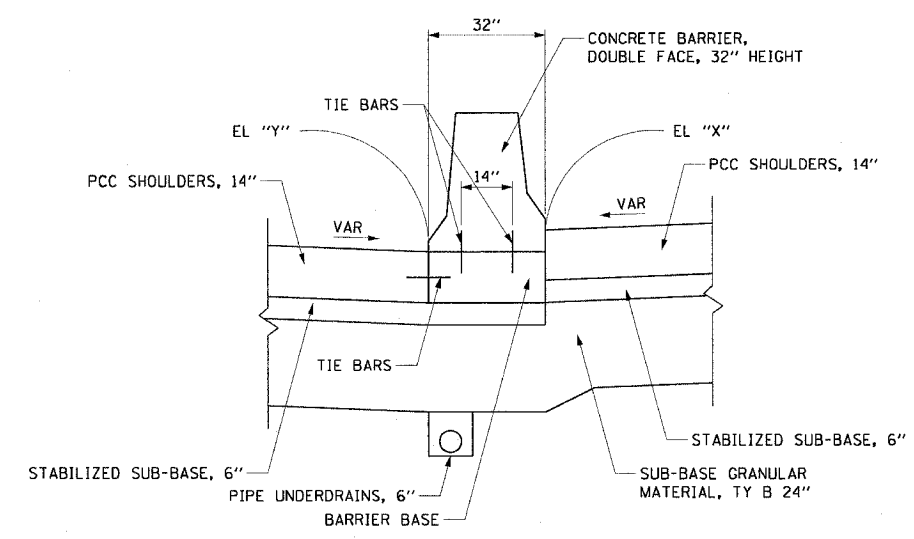
ROADWAY DETAILS STA 6066+17.70 TO STA 6068+32.93



SECTION A-A
N.T.S.



SECTION B-B
N.T.S.



SECTION C-C
N.T.S.

STATION	ELEVATION	
	"X"	"Y"
6066+42.70	6.71	5.11
6066+50.00	6.51	5.04
6066+75.00	5.85	4.79
6067+00.00	5.24	4.52
6067+25.00	4.72	4.22
6067+50.00	4.27	3.89
6067+75.00	3.87	3.62
6068+00.00	3.39	3.31
6068+25.00	2.98	2.96
6068+32.93	2.86	2.84

- NOTES:
- SEE IDOT HIGHWAY STANDARD 637001 FOR CONCRETE BARRIER, DOUBLE FACE, 32" HEIGHT DIMENSIONS.
 - TWO VERTICAL EPOXY COATED, NO. 6 TIE BARS, 12" LONG, SHALL BE PLACED AT EQUIDISTANT SPACING ALONG THE CONCRETE BARRIER TRANSITION. TIE BARS SHALL BE INCLUDED IN THE COST OF CONCRETE BARRIER TRANSITION.
 - HORIZONTAL TIE BARS SHALL BE NO. 6 EPOXY COATED, 12" LONG, 15" C-C AND SHALL BE INCLUDED IN THE COST OF THE BARRIER BASE.

REVISIONS	
NAME	DATE

ILLINOIS DEPARTMENT OF TRANSPORTATION
F.A.I. 90/94 (DAN RYAN EXPRESSWAY)
63RD STREET TO GARFIELD BLVD (NB LOCAL LANES)

ROADWAY DETAILS
STA 6066+42.70 TO STA 6068+32.93

SCALE: 1"=10'
DATE: June 9, 2006

DRAWN BY: NJH
CHECKED BY: RMG



P:\04066\04066\04066-01\04066-01.dwg 6/15/2006 9:33:23 AM