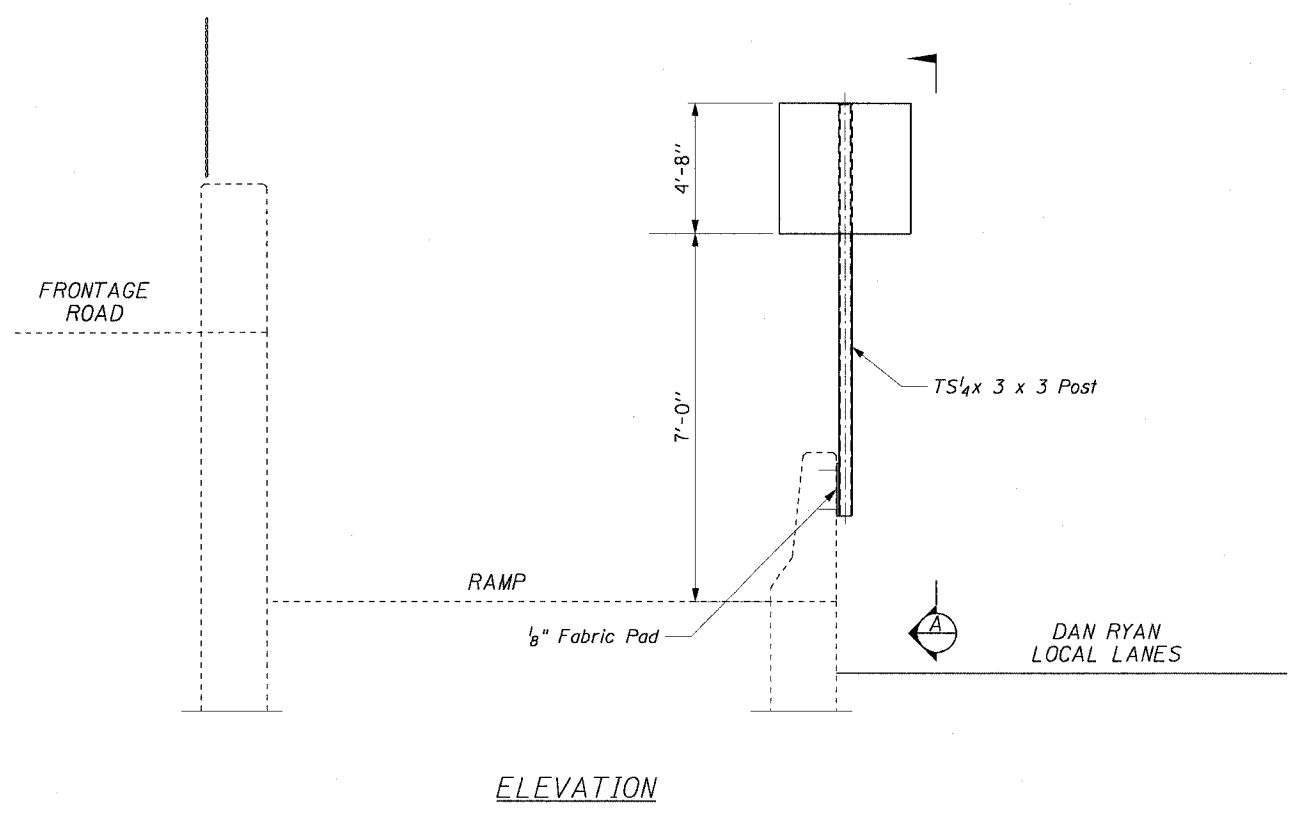


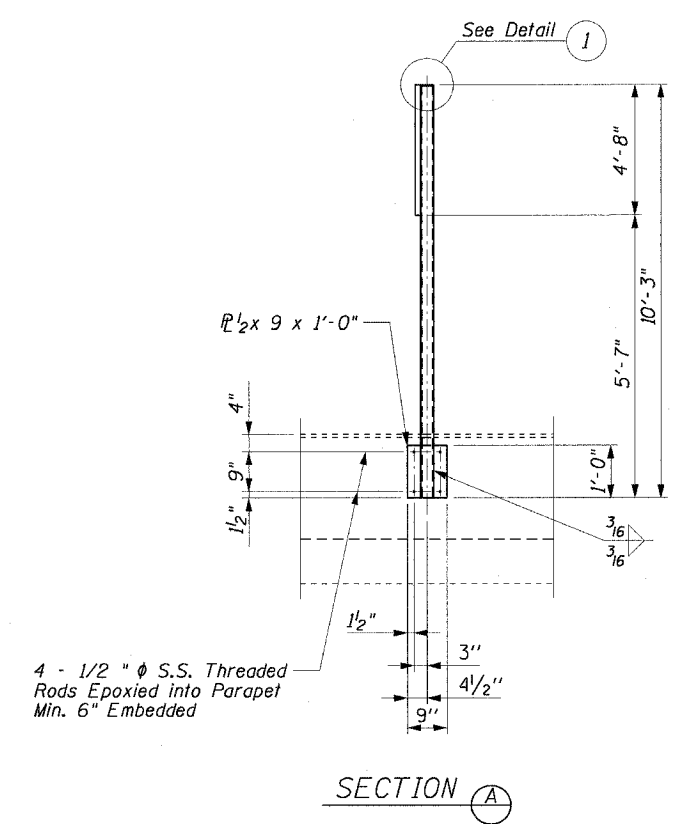
F.A.I. RTE.	SECTION	COUNTY	TOTAL SHEETS	SHEET NO.
90/94		COOK	312	218
STA.	TO STA.			
FED. ROAD DIST. NO. 1	ILLINOIS FED. AID PROJECT			
60A62	• (1919.15, 2021-922 PT1 & PT2) R-1			

EXISTING BARRIER WALL SIGN POST MOUNTING DETAILS

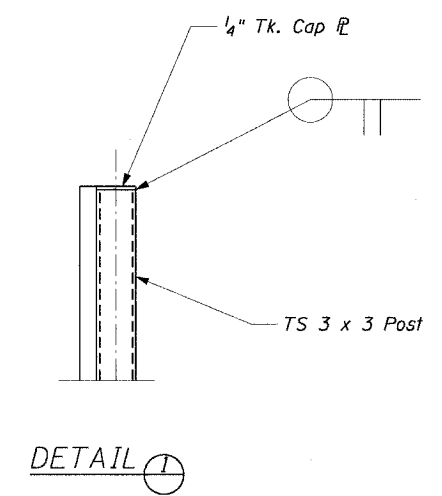
PS05-02
PS06-03



ELEVATION



SECTION A



DETAIL 1

4 - 1/2" ϕ S.S. Threaded Rods Epoxied into Parapet Min. 6" Embedded

NOTE

When drilling and epoxy grouting the anchor rods, the Contractor shall use the capsule or the adhesive cartridge type anchor rods that have been previously tested and given a prior approval by IDOT. The Contractor shall install these anchor rods in pre-drilled holes according to the manufacturer's recommendations and procedures. The capsule or the adhesive cartridge shall be sealed with pre-measured amounts of the adhesive chemical. This associated materials and work performed shall be included in the cost of Base For Telescoping Steel Sign Support.

CTE | AECOM

REVISIONS		ILLINOIS DEPARTMENT OF TRANSPORTATION F.A.I. 90/94 (DAN RYAN EXPRESSWAY) 63RD STREET TO GARFIELD BLVD (NB LOCAL LANES)	RDT-11
NAME	DATE		
		ROADWAY DETAILS EXISTING BARRIER WALL SIGN POST MOUNTING DETAILS	SCALE: NONE DATE: June 9, 2006 DRAWN BY: DS CHECKED BY: SWANG

P:\p10468\ct1\18-chrs 1B & 19\sh\cmt 18\roadway details\m180123.rvt
 6/5/2006 9:33:37 AM