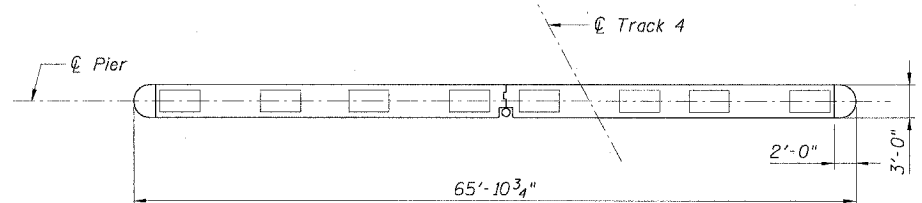


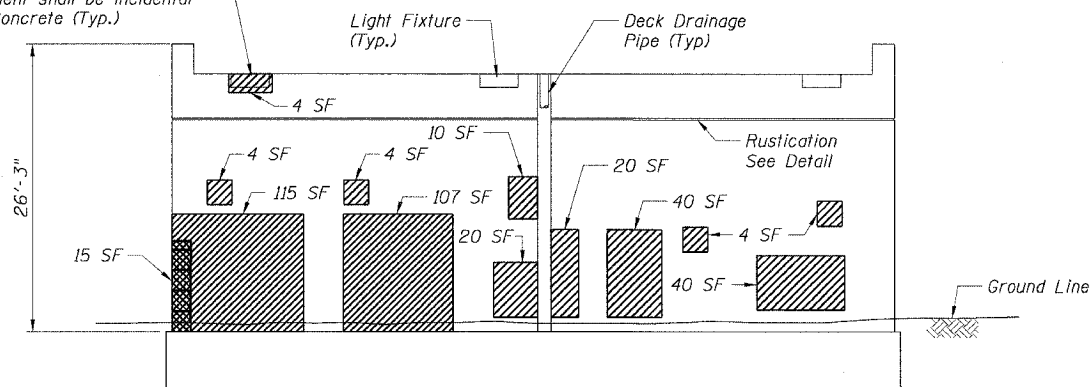
STATE OF ILLINOIS
DEPARTMENT OF TRANSPORTATION

F.A.I. RTE.	SECTION	COUNTY	TOTAL SHEETS	SHEET NO.
90/94	*	COOK	312	226
STA.	TO STA.			
FED. ROAD DIST. NO. 1	ILLINOIS	FED. AID PROJECT		
60A62	* (1919.15, 2021-922 PT1 & PT2) R-1			

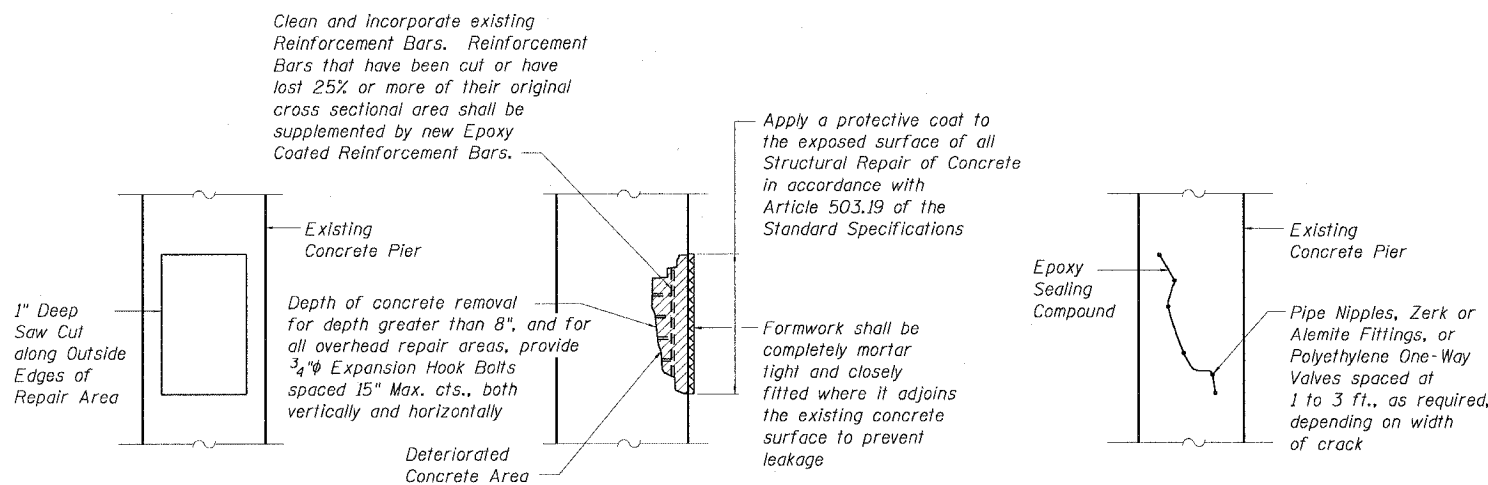


PLAN
PIER 3
(S.N. 016-1148)

The Contractor shall detach the Light Fixture prior to making repairs, and reattach after repairs are complete. The Cost for the detachment and reattachment shall be incidental to Structural Repair of Concrete (Typ.)

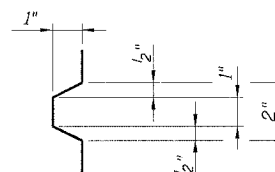


ELEVATION
PIER 3 - NORTH FACE
(S.N. 016-1148)



STRUCTURAL REPAIR OF CONCRETE DETAIL

EPOXY CRACK SEALING DETAIL



DETAIL OF
RUSTICATION

LEGEND

- Area of Structural Repair of Concrete (Depth Equal to or Less than 5")
- Area of Structural Repair of Concrete (Depth Greater than 5")

BILL OF MATERIAL		
Item	Unit	Quantity Pier 3 North Face
Structural Repair of Concrete (Depth Equal to or Less Than 5")	Sq Ft	372
Structural Repair of Concrete (Depth Greater Than 5")	Sq Ft	15
Protective Coat	Sq Yd	43

REVISIONS	
NAME	DATE

ILLINOIS DEPARTMENT OF TRANSPORTATION
F.A.I. 90/94 (DAN RYAN EXPRESSWAY)
63RD STREET TO GARFIELD BLVD (NB LOCAL LANES)
PIER 3 - PLAN AND ELEVATION
SUBSTRUCTURE AND ABUTMENT REPAIRS
METRA BRIDGE (SN 016-1148)
COOK COUNTY

SCALE: None
DATE: June 9, 2006

DRAWN BY: CHD
CHECKED BY: MJP

CTE | AECOM