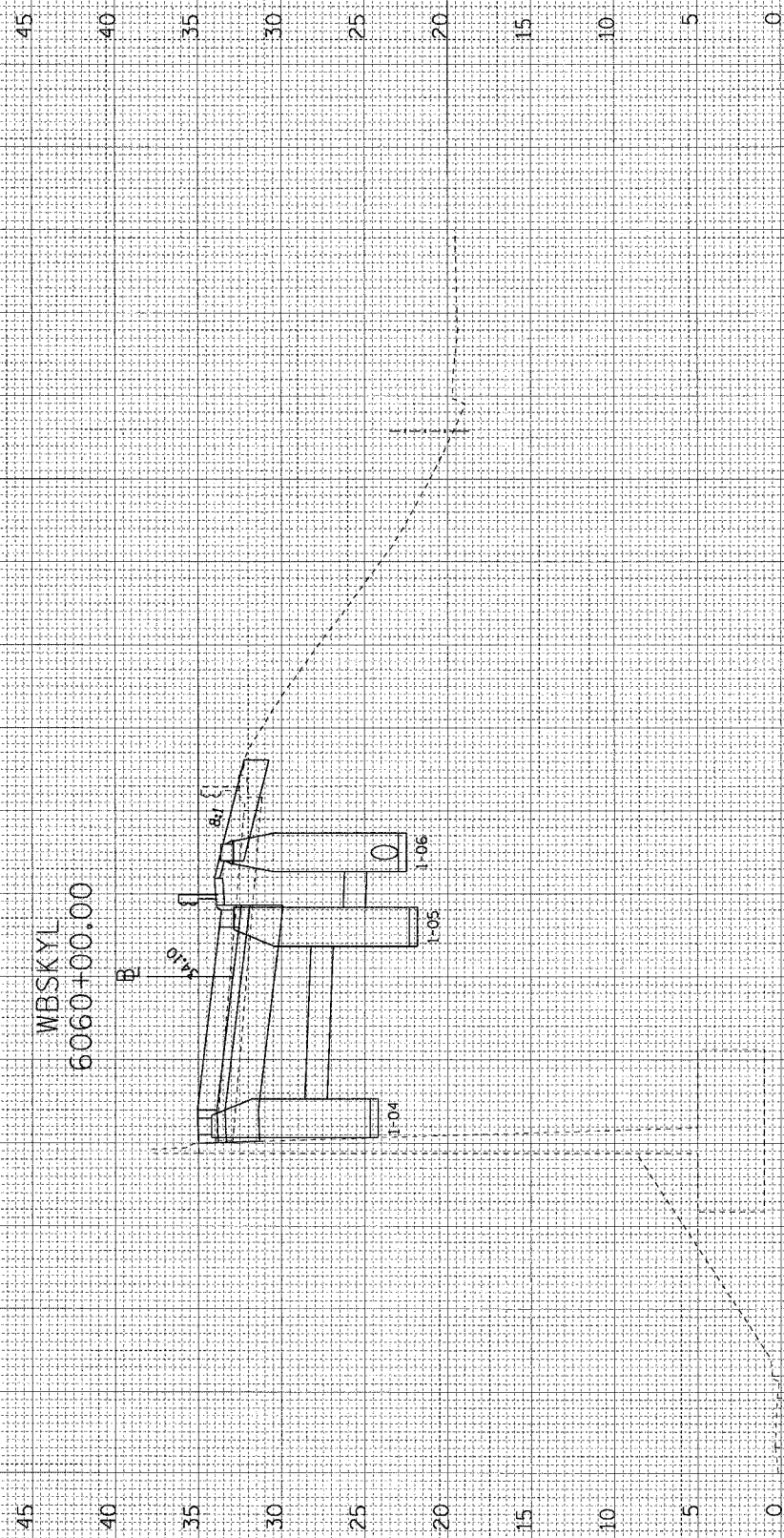


ORIGINAL SURVEY	DATE
NOTE BOOK	BY
AREAS CHECKED	

FINAL SURVEY	DATE
NOTE BOOK	BY
AREAS CHECKED	

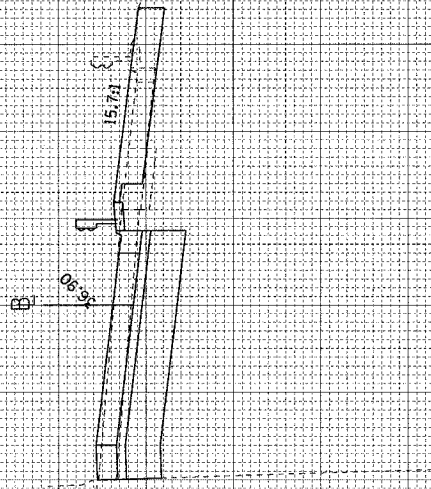
CTE | AECOM



6060+00.00

CUT=50 FILL=14 UNSUITABLES=1 EX EXC (SPL)=0

WBSKYL
6059+00.00



6059+00.00

CUT=82 FILL=9 UNSUITABLES=2 EX EXC (SPL)=0

F.A.L. RTE.	SECTION	COUNTY	TOTAL SHEETS	SHEET NO.
90/94		COOK	312	281

FED. ROAD DIST. NO. 1	ILLINOIS	FED. AID PROJECT
60A62	(1919.15, 2021-922 PT1 & PT2)	R-1