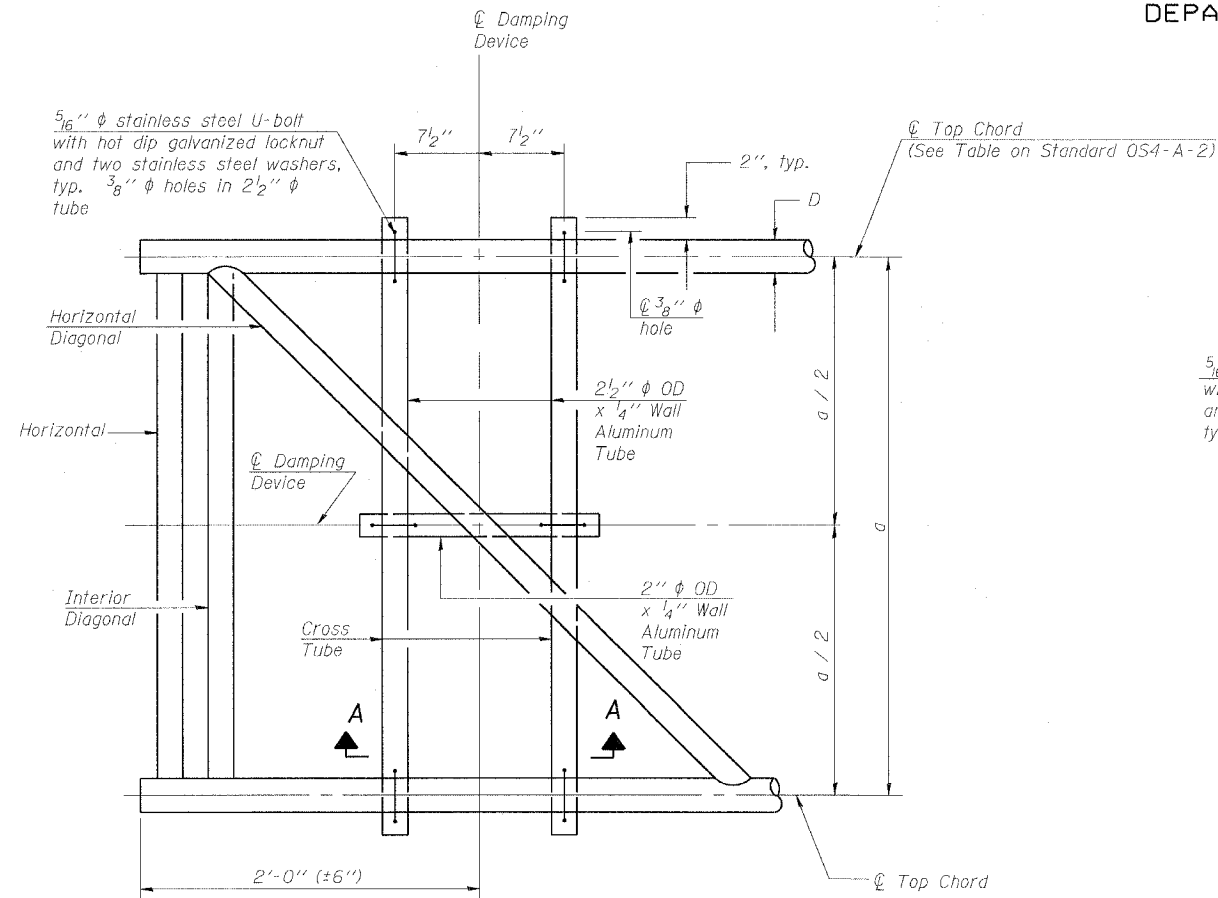
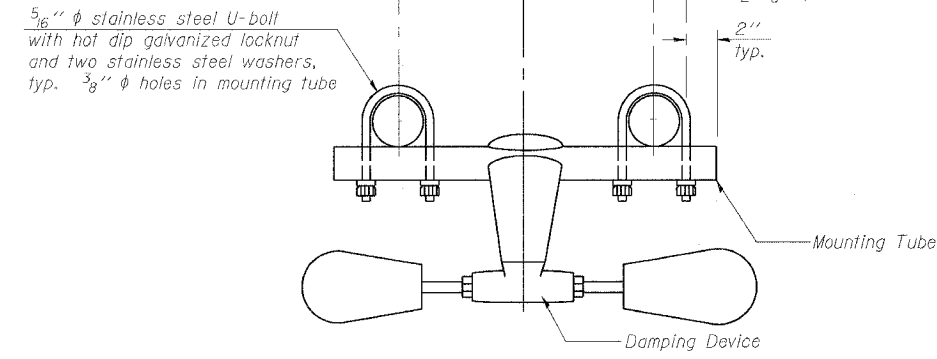


STATE OF ILLINOIS
DEPARTMENT OF TRANSPORTATION

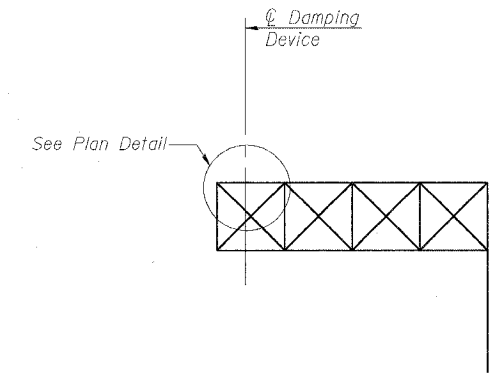
ROUTE NO.	SECTION	COUNTY	TOTAL SHEETS	SHEET NO.
F.A.I. RTE. 90/94		COOK	247	119
FED. ROAD DIST. NO. 1	ILLINOIS	FED. AID PROJECT-		
• (1919,15 & 2021-922 PT.1) R-2				60A63



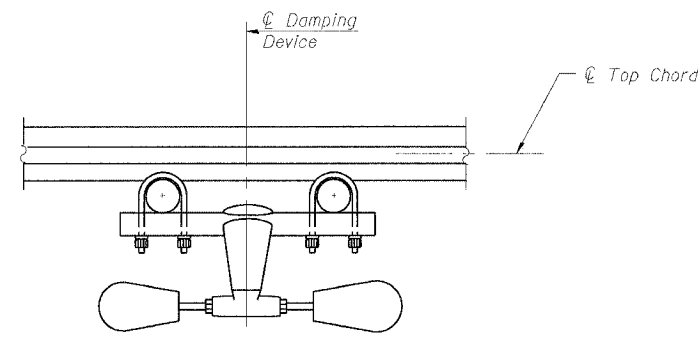
PLAN DETAIL



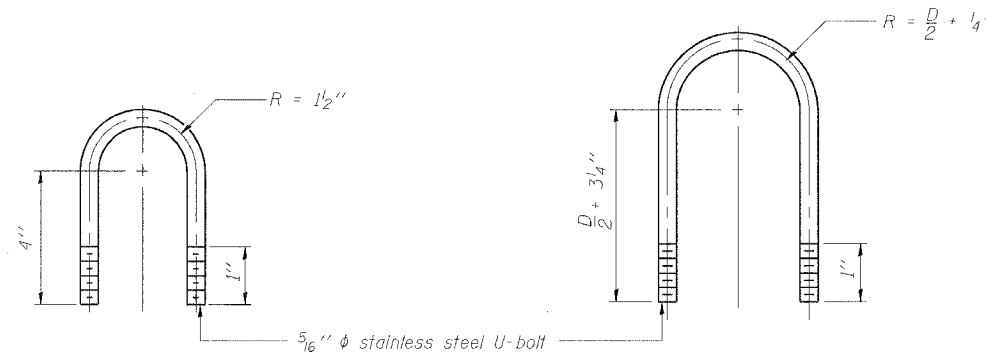
TRUSS DAMPING DEVICE CONNECTION DETAIL



ELEVATION
Aluminum Cantilever
Sign Structure



SECTION A-A



DAMPING DEVICE MOUNTING
TUBE U-BOLT DETAIL
(Typical)

TOP CHORD TO CROSS TUBE
U-BOLT DETAIL
(Typical)

GENERAL NOTES

- Damper: One damper per truss. (31 lbs. Stockbridge-Type Aluminum)
- Materials: Aluminum tubes shall be ASTM B221 alloy 6061 temper T6

DESIGNED - JSS	20
CHECKED - MJP	EXAMINED
DRAWN - JSS	PASSED
CHECKED - MJP	ENGINEER OF BRIDGES AND STRUCTURES

OSC-A-D

1-7-05

CANTILEVER SIGN STRUCTURE
DAMPING DEVICE

F.A.I. 90/94 (DAN RYAN EXPRESSWAY)
63RD STREET TO GARFIELD BLVD (SB LOCAL LANES)
PROPOSED IMPROVEMENT

OSS-21

P:\P\0606\CHN\B\Cnts\18 & 19\Sign\19A\Sign\SS19A021A.dgn 6/27/2006 11:25:19 AM