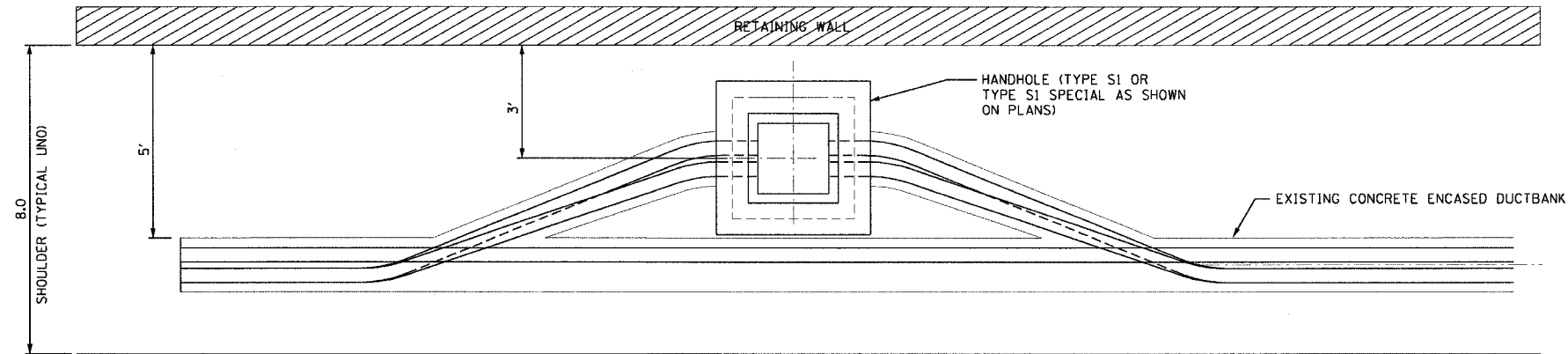


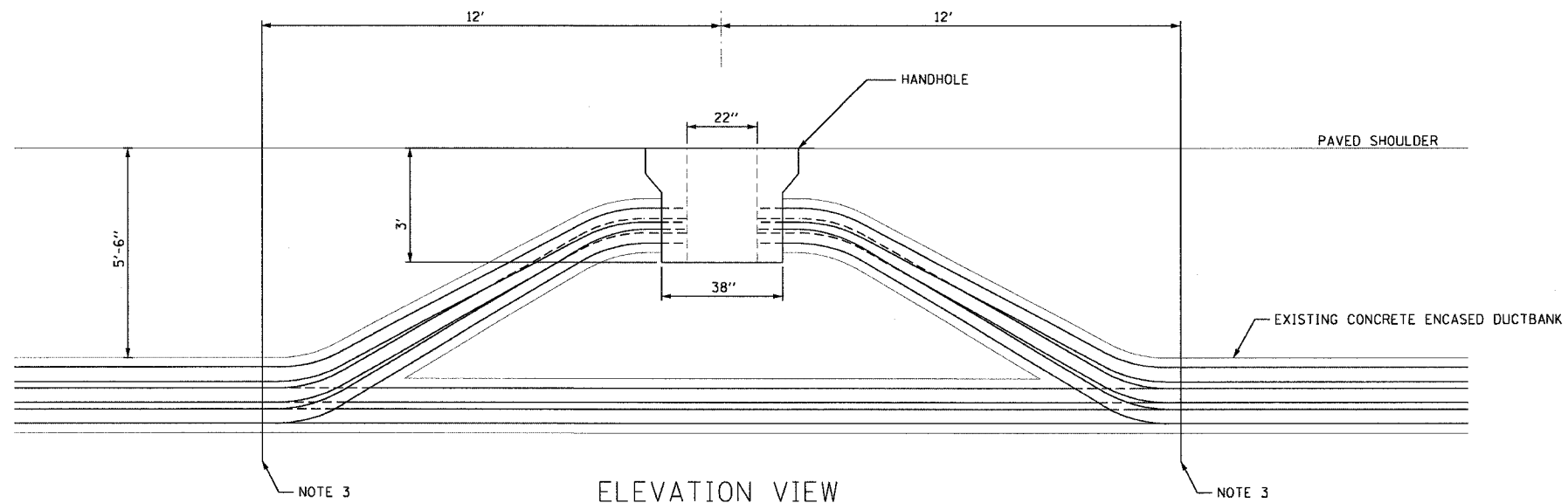
F.A.I. RTE.	SECTION	COUNTY	TOTAL SHEETS	SHEET NO.
90/94	•	COOK	247	146
STA.	TO STA.			
FED. ROAD DIST. NO. 1	ILLINOIS	FED. AID PROJECT		
60A63	• (1919.15, 2021-922 PT1 & PT2) R-2			

NOTES:

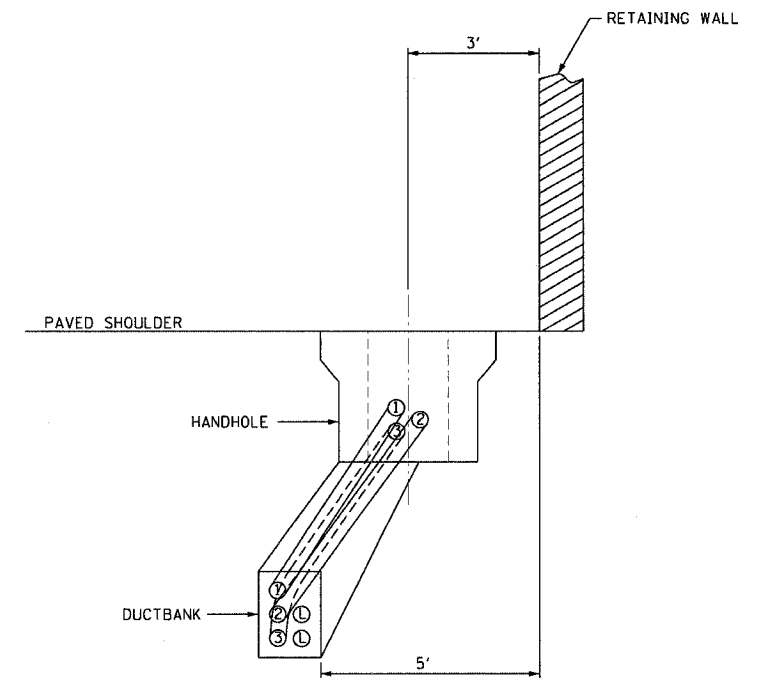
1. SEE DRAWING EI-105 FOR ELECTRICAL DUCTBANK DETAILS.
2. SEE DRAWING EI-106 FOR EXISTING CONDITIONS.
3. EXTEND 4" RACEWAYS FROM EXISTING DUCTBANK TO HANDHOLE. COORDINATE WORK WITH SHOULDER CONSTRUCTION. ALL CONDUIT SHALL BE ENCASED IN REINFORCED CONCRETE.
4. ADJUST HANDHOLE LOCATION AS REQUIRED TO ACCOMMODATE EXISTING CONDITIONS. FINAL LOCATION MUST BE APPROVED BY THE ENGINEER.



TOP VIEW



ELEVATION VIEW



SIDE VIEW

CTE | AECOM

REVISIONS	
NAME	DATE

ILLINOIS DEPARTMENT OF TRANSPORTATION
 F.A.I. 90/94 (DAN RYAN EXPRESSWAY)
 63RD STREET TO GARFIELD BLVD (SB LOCAL LANES)
DUCTBANK ROUTING INTO HANDHOLE

SCALE: NOT TO SCALE
 DATE: June 9, 2006

DRAWN BY: HAR
 CHECKED BY: JPC

EI-107

P:\V\04066\elec\06-chrs'18 & 19\contract\1904\190407203.rvt