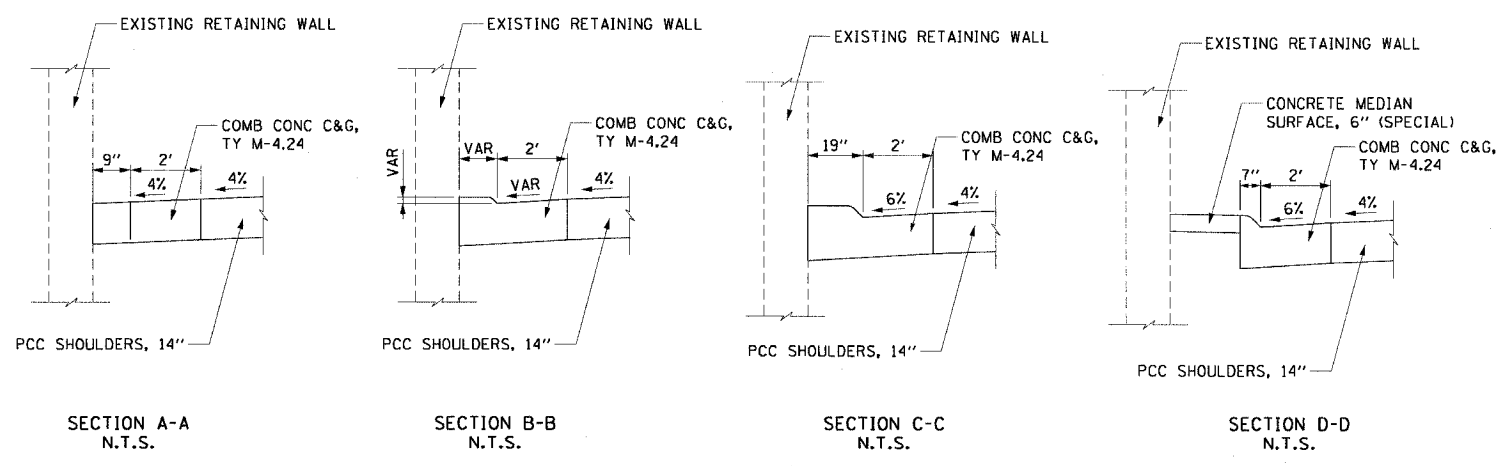
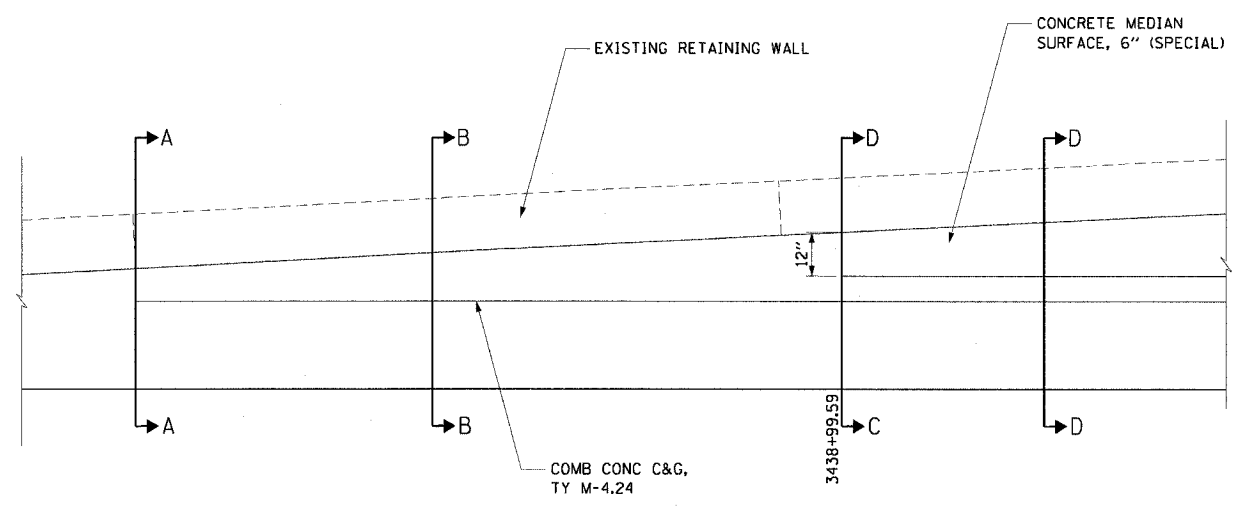


| | | | | |
|-----------------------|-----------------------------------|------------------|--------------|-----------|
| F.A.I. RTE. | SECTION | COUNTY | TOTAL SHEETS | SHEET NO. |
| 90/94 | * | COOK | 247 | 163 |
| STA. | TO STA. | | | |
| FED. ROAD DIST. NO. 1 | ILLINOIS | FED. AID PROJECT | | |
| 60A63 | * (19:15, 2021-922 PT1 & PT2) R-2 | | | |

VARIABLE CURB WIDTH AND GUTTER TRANSITIONS FOR COMB CONC C&G, TY M-4.24

N.T.S.

STA 3438+99.59
STA 3470+87.46

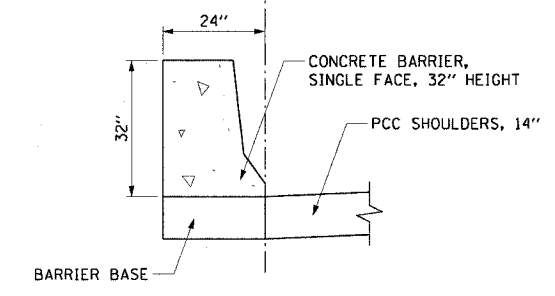
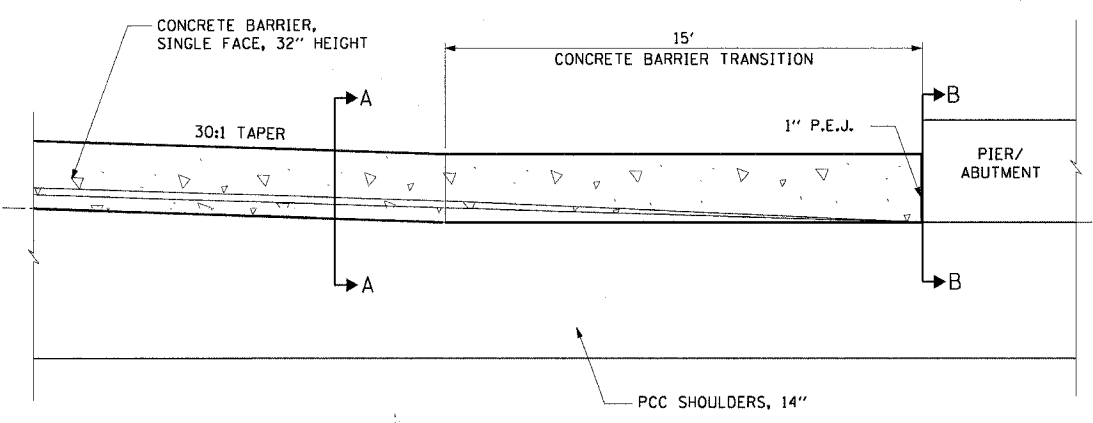


- NOTES:
1. THE TRANSITION SECTION SHALL BE PAID FOR AS COMB CONC C&G, TY M-4.24
 2. SEE IDOT HIGHWAY STANDARD 606001 FOR THE COMB CONC C&G, TY M-4.24 DETAILS.

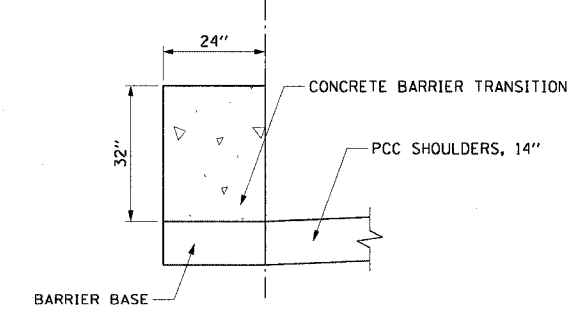
SINGLE FACE CONCRETE BARRIER TRANSITION TO PIER/ABUTMENT

N.T.S.

STA 3427+70.44
STA 3428+45.12
STA 3446+76.28
STA 3446+87.57
STA 3448+44.56
STA 3449+27.22



SECTION A-A
N.T.S.



SECTION B-B
N.T.S.

- NOTES:
1. THE 1" PREFORMED EXPANSION JOINT SHALL BE INCLUDED IN THE COST OF CONCRETE BARRIER TRANSITION.
 2. SEE RDT-2 FOR CONCRETE BARRIER, SINGLE FACE, 32" HEIGHT DETAILS.

| REVISIONS | |
|-----------|------|
| NAME | DATE |
| | |
| | |
| | |
| | |
| | |
| | |
| | |

ILLINOIS DEPARTMENT OF TRANSPORTATION
F.A.I. 90/94 (DAN RYAN EXPRESSWAY)
63RD STREET TO GARFIELD BLVD (SB LOCAL LANES)

ROADWAY DETAILS
COMB CONC C&G, TY M-4.24 TRANSITION
SINGLE FACE CONCRETE BARRIER TRANSITION

SCALE: NONE
DATE: June 9, 2006

DRAWN BY: NJH
CHECKED BY: RMG



p:\p040463\civil\NB-entrs 18 & 19\st\ntar 19\roadway details\rdt3\rdt3.dwg