

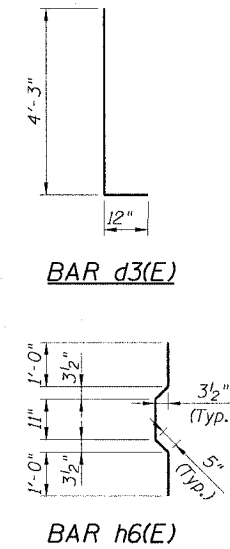
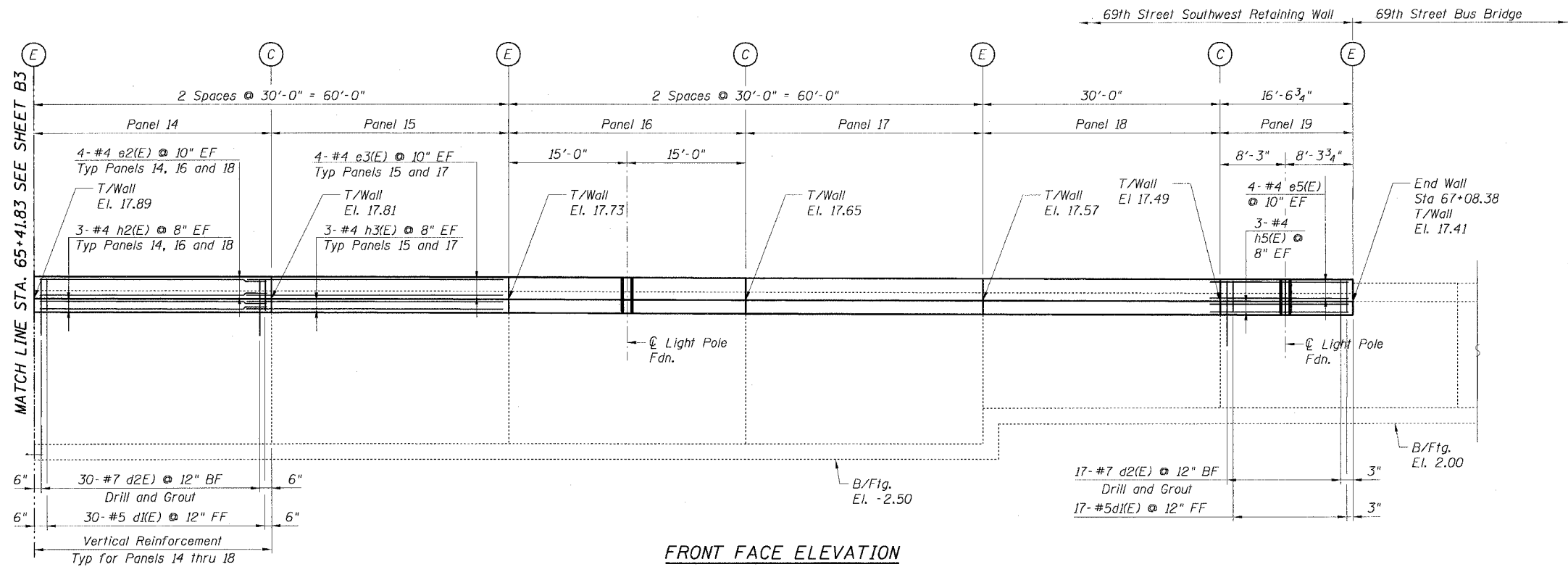
STATE OF ILLINOIS
DEPARTMENT OF TRANSPORTATION

F.A.I. RTE.	SECTION	COUNTY	TOTAL SHEETS	SHEET NO.
90/94		COOK	247	184
STA.		TO STA.		
FED. ROAD DIST. NO. 1		ILLINOIS	FED. AID PROJECT	
60A63		* (1919.15, 2021-922 PT1 & PT2) R-2		

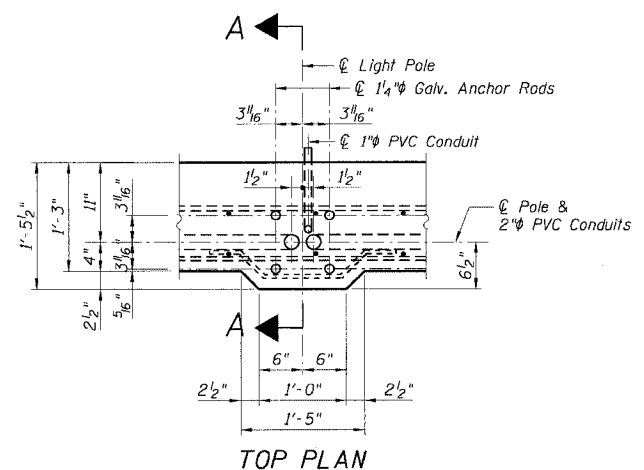
BILL OF MATERIAL

Bar	No.	Size	Length	Shape
d1(E)	551	#5	4'-3"	—
d2(E)	551	#7	5'-6"	—
d3(E)	15	#6	5'-3"	—
e1(E)	8	#4	35'-5"	—
e2(E)	64	#4	29'-8"	—
e3(E)	56	#4	31'-8"	—
e4(E)	16	#4	25'-2"	—
e5(E)	8	#4	18'-3"	—
h1(E)	6	#4	35'-5"	—
h2(E)	48	#4	29'-8"	—
h3(E)	42	#4	31'-8"	—
h4(E)	12	#4	25'-2"	—
h5(E)	6	#4	18'-3"	—
h6(E)	25	#6	3'-9"	—

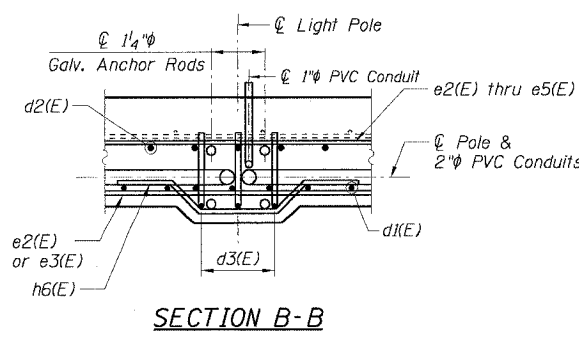
Item	Unit	Quantity
Reinforcement Bars, Epoxy Coated	Pound	14,161
Concrete Removal	Cu Yd	61
Concrete Superstructure	Cu Yd	116.5
Protective Coat	Sq Yd	528
Rustication Finish	Sq Ft	1,005



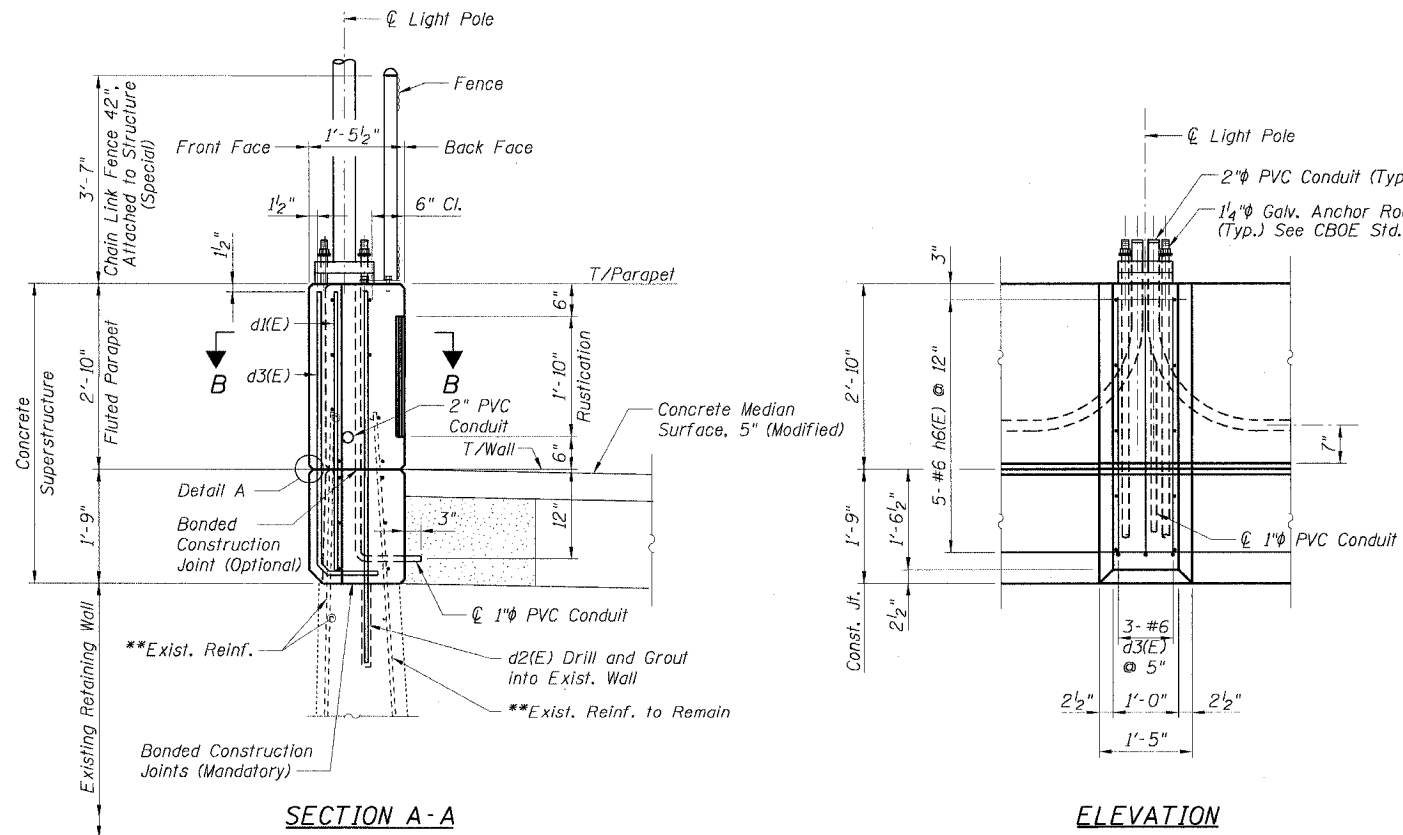
FRONT FACE ELEVATION



TOP PLAN



SECTION B-B



SECTION A-A

ELEVATION

TYPICAL LIGHT POLE FOUNDATION DETAILS

- NOTES:
1. For Notes and Legend see Sheet B3.
 2. For Concrete Median Surface, 5" (Modified), see Sheet B7.
 3. Contractor shall verify Bolt Circle and Anchor Bolt Diameters with the Commissioner prior to Constructing Light Pole Foundations.
 4. The Cost of Furnishing and Installing Anchor Bolts, Nuts and Washers is Included in the Cost for "Concrete Structures".

REVISIONS	
NAME	DATE

Sheet B4 of 7

ILLINOIS DEPARTMENT OF TRANSPORTATION
F.A.I. 90/94 (DAN RYAN EXPRESSWAY)
63RD STREET TO GARFIELD BLVD (SB LOCAL LANES)
DETAILED ELEVATION II
69TH STREET SOUTHWEST RETAINING WALL
SECTION (1818, ETC, 2324.6-1P) R-11
STATION 61+65.38 TO 67+08.38
COOK COUNTY

SCALE: None DRAWN BY: CHD
DATE: June 9, 2006 CHECKED BY: MJP

CTE | AECOM