

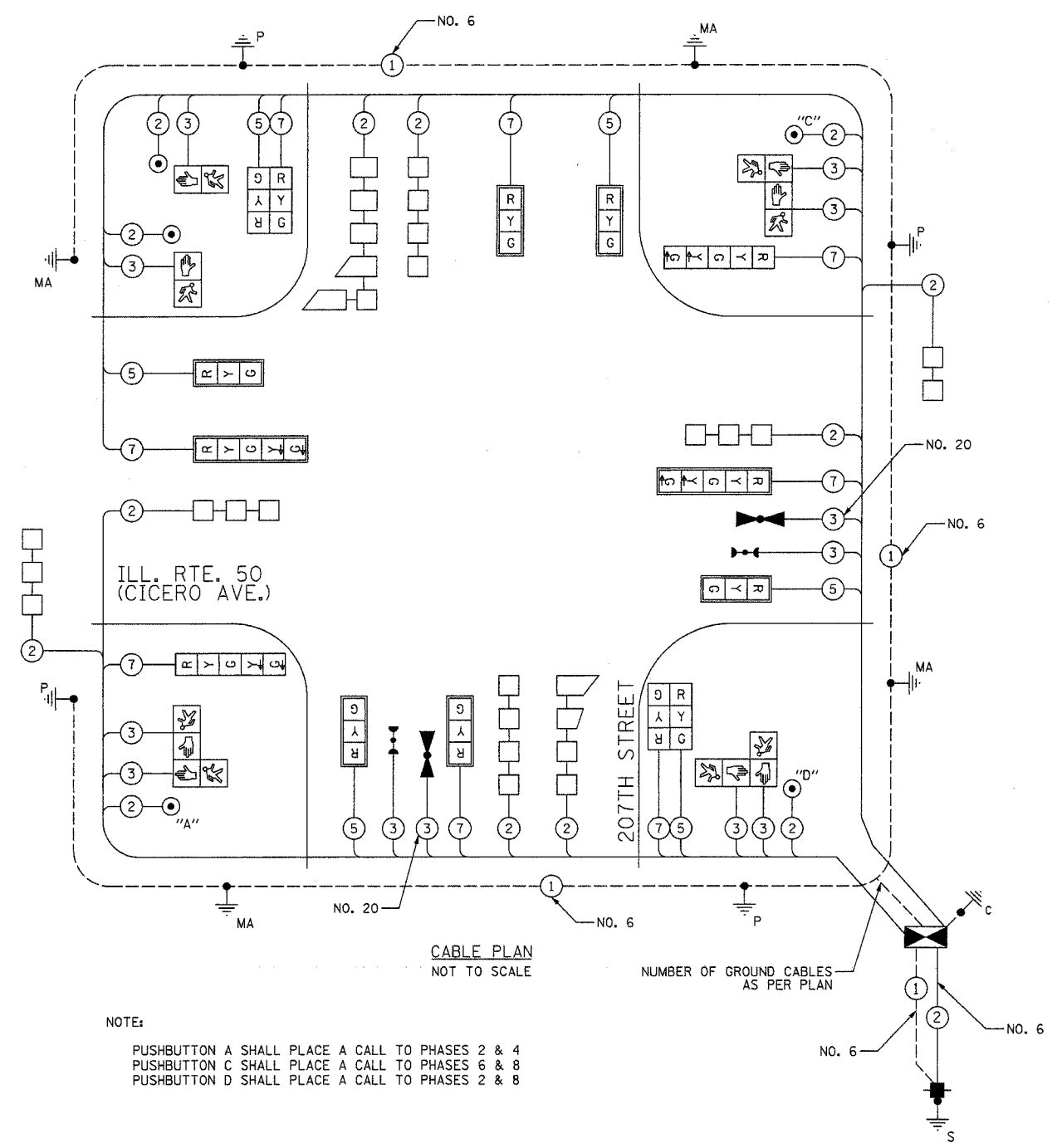
P.A.P. ETC.	SECTION	COUNTY	TOTAL SHEETS	SHEET NO.
350	101 TS-2	COOK	26	12
STA.		TO STA.		
FED. ROAD DISTRICT	ILLINOIS	FED. AID PROJECT		

CONTRACT NO. 60A64



CABLE PLAN LEGEND

- | EXISTING | PROPOSED | |
|----------|----------|---|
| | | 8" (200mm) TRAFFIC SIGNAL SECTION |
| | | 12" (300mm) PEDESTRIAN SIGNAL SECTION |
| | | 12" (300mm) PEDESTRIAN SIGNAL SECTION |
| | | CONTROLLER CABINET |
| | | SERVICE INSTALLATION |
| | | TELEPHONE CONNECTION |
| | | MAGNETIC DETECTOR |
| | | EMERGENCY VEHICLE LIGHT DETECTOR |
| | | CONFIRMATION BEACON |
| | | PUSHBUTTON DETECTOR |
| | | VEHICLE DETECTOR, INDUCTION LOOP |
| | | DENOTES NUMBER OF CONDUCTORS, ALL CABLE NO. 14 EXCEPT AS INDICATED. ALL LOOP DETECTOR CABLE TO BE SHIELDED. |
| | | MICROWAVE VEHICLE SENSOR |
| | | SIGNAL FACE WITH BACKPLATE, "P" INDICATES PROGRAMMED HEAD |
| | | RAILROAD CONTROL CABINET |
| | | ILLUMINATED SIGN "NO LEFT TURN" |
| | | ILLUMINATED SIGN "NO RIGHT TURN" |
| | | GROUND ROD AT HANDHOLE (H), DOUBLE HANDHOLE (H), OR CONTROLLER (C). |
| | | GROUND ROD AT POST (P), OR MAST ARM POLE (MA). |
| | | GROUND ROD AT ELECTRIC SERVICE INSTALLATION |
| | | GROUND CABLE IN CONDUIT NO. 6 SOLID COPPER (GREEN) |
| | | FIBER OPTIC CABLE IN CONDUIT NO. 62.5/125 2-MM12F SM12F |



NOTE:
 PUSHBUTTON A SHALL PLACE A CALL TO PHASES 2 & 4
 PUSHBUTTON C SHALL PLACE A CALL TO PHASES 6 & 8
 PUSHBUTTON D SHALL PLACE A CALL TO PHASES 2 & 8

I.D.O.T. TRAFFIC SIGNAL INSTALLATION ELECTRICAL SERVICE REQUIREMENTS					TOTAL WATTAGE
TYPE	NO. LAMPS	WATTAGE INCAND.	LED	OPERATION	
SIGNAL (RED)	14		17	0.50	119
(YELLOW)	14		25	0.25	88
(GREEN)	14		15	0.25	53
ARROW	8		12	0.10	10
PED. SIGNAL	8		25	1.00	200
CONTROLLER	1		100	1.00	100
FLASHER				0.50	
TOTAL =					570

FOUNDATION (DEPTH)	FT. (m)	CABLE SLACK	FT. (m)	VERTICAL	FT. (m)
TYPE A - POST	4 (1.2)	HANDHOLE	6.5 (2.0)	ALL FOUNDATIONS	3.5 (2.0)
D- CONTROLLER	4 (1.2)	DOUBLE HANDHOLE	13 (4.0)	MAST ARM (L) POLE	20'±L-2'± (6m±L-0.6m)±
E- M. ARM POLE		SIGNAL POST	2 (0.6)	BRACKET MOUNTED	13 (4.0)
24" (600mm)	10 (3.0)	CONTROLLER CAB.	1 (0.5)	PED. PUSHBUTTON	4 (1.2)
30" (750mm)	15 (4.6)	FIBER OPTIC	13 (4.0)	ELECTRIC SERVICE	13.5 (4.1)
36" (900mm)	15 (4.6)	ELECTRIC SERVICE	1 (0.5)	SERVICE TO GROUND	13.5 (4.1)
		GROUND CABLE	1 (0.5)	POST MOUNTED	6 (1.8)

ENERGY COSTS TO: ILLINOIS DEPARTMENT OF TRANSPORTATION
 201 WEST CENTER COURT
 SCHAUMBURG, IL 60196-1096
 CONTACT: DENETTE PRICE
 PHONE: 708-235-2482
 COMPANY: COM ED

REVISIONS	
NAME	DATE

ILLINOIS DEPARTMENT OF TRANSPORTATION
 DISTRICT 1
CABLE PLAN
 ILL. RTE. 50 (CICERO AVENUE)
 & 207TH STREET
 NOT TO SCALE
 DATE: 1/17/06
 DRAWN BY: OJT
 DESIGNED BY: OJT
 CHECKED BY: JJE