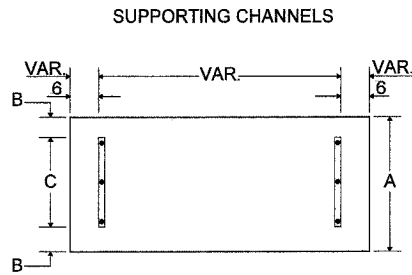
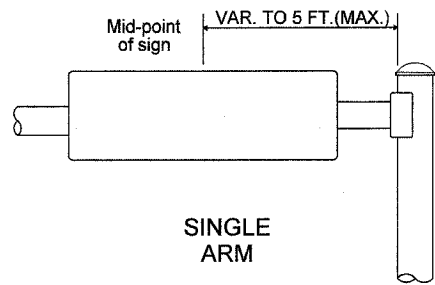


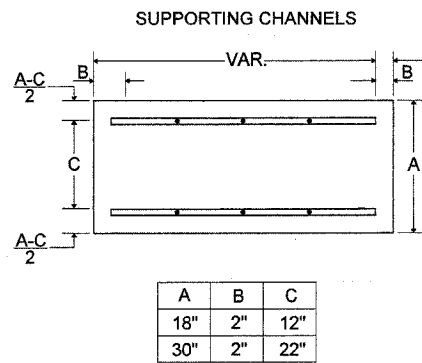
NOTE: SIGN DIMENSIONS ARE IN ENGLISH UNITS.



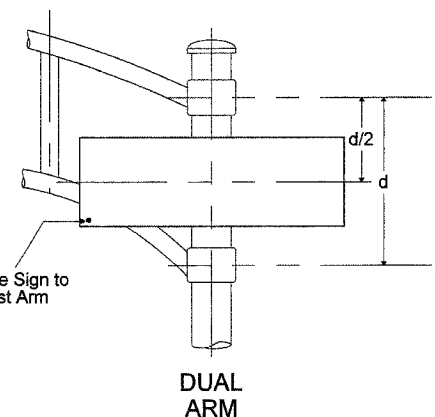
| A | B | C |
|-----|----|-----|
| 18" | 2" | 14" |



SIGNIFIX ALUMINUM CHANNEL FRAMING SYSTEM shall be used. See Note #5.



| A | B | C |
|-----|----|-----|
| 18" | 2" | 12" |
| 30" | 2" | 22" |



EXAMPLE, 2³ DENOTES 3/8"

UPPER TO LOWER CASE SPACING CHART 8-6 INCH SERIES "C & D"

| SERIES | SECOND LETTER | | | | | | | | | | | | | | | |
|---------|-------------------------------|-------------------------------|-------------------------------|-------------------------------|-------------------------------|-------------------------------|-------------------------------|-------------------------------|-------------------------------|-------------------------------|-------------------------------|-------------------------------|-------------------------------|-------------------------------|-------------------------------|-------------------------------|
| | a c d e g o q | | b h k l m n p r u | | | | f w | | j | s t | | v y | | x | | z |
| | C | D | C | D | C | D | C | D | C | D | C | D | C | D | C | D |
| A W X | 1 ² 1 ⁴ | 1 ⁴ | 1 ⁴ | 1 ⁵ | 1 ² 1 ⁴ | 1 ⁵ | 1 ¹ 1 ⁴ | 1 ⁵ | 1 ¹ 1 ⁴ | 1 ⁵ | 1 ¹ 1 ⁴ | 1 ⁵ | 1 ¹ 1 ⁴ | 1 ⁵ | 1 ¹ 1 ⁴ | 1 ⁵ |
| B | 1 ⁴ 1 ⁵ | 2 ⁰ 2 ¹ | 1 ⁴ 1 ⁵ | 1 ¹ 1 ⁴ | 1 ⁵ | 1 ¹ 1 ⁴ | 1 ⁵ | 1 ¹ 1 ⁴ | 1 ⁵ | 1 ¹ 1 ⁴ | 1 ⁵ | 1 ¹ 1 ⁴ | 1 ⁵ | 1 ¹ 1 ⁴ | 1 ⁵ | 1 ¹ 1 ⁴ |
| C E G | 1 ⁴ 1 ⁵ | 2 ⁰ 2 ¹ | 1 ⁴ 1 ⁵ | 1 ¹ 1 ⁴ | 1 ⁵ | 1 ¹ 1 ⁴ | 1 ⁵ | 1 ¹ 1 ⁴ | 1 ⁵ | 1 ¹ 1 ⁴ | 1 ⁵ | 1 ¹ 1 ⁴ | 1 ⁵ | 1 ¹ 1 ⁴ | 1 ⁵ | 1 ¹ 1 ⁴ |
| D O O R | 1 ⁴ 1 ⁵ | 2 ⁰ 2 ¹ | 1 ⁴ 1 ⁵ | 1 ¹ 1 ⁴ | 1 ⁵ | 1 ¹ 1 ⁴ | 1 ⁵ | 1 ¹ 1 ⁴ | 1 ⁵ | 1 ¹ 1 ⁴ | 1 ⁵ | 1 ¹ 1 ⁴ | 1 ⁵ | 1 ¹ 1 ⁴ | 1 ⁵ | 1 ¹ 1 ⁴ |
| F | 0 ⁵ 0 ⁶ | 1 ⁴ 1 ⁵ | 0 ⁶ 1 ⁰ | 0 ⁵ 0 ⁶ | 1 ⁰ 1 ¹ | 0 ⁶ 1 ⁰ | 0 ⁵ 0 ⁶ | 1 ⁰ 1 ¹ | 0 ⁶ 1 ⁰ | 0 ⁵ 0 ⁶ | 1 ⁰ 1 ¹ | 0 ⁶ 1 ⁰ | 0 ⁵ 0 ⁶ | 1 ⁰ 1 ¹ | 0 ⁶ 1 ⁰ | 0 ⁵ 0 ⁶ |
| H I M N | 2 ⁰ 2 ¹ | 2 ² 2 ⁴ | 2 ⁰ 2 ¹ | 2 ² 2 ⁴ | 2 ⁰ 2 ¹ | 2 ² 2 ⁴ | 2 ⁰ 2 ¹ | 2 ² 2 ⁴ | 2 ⁰ 2 ¹ | 2 ² 2 ⁴ | 2 ⁰ 2 ¹ | 2 ² 2 ⁴ | 2 ⁰ 2 ¹ | 2 ² 2 ⁴ | 2 ⁰ 2 ¹ | 2 ² 2 ⁴ |
| J U | 2 ⁰ 2 ¹ | 2 ⁰ 2 ¹ | 1 ⁶ 1 ⁷ | 1 ⁴ 1 ⁵ | 1 ⁶ 1 ⁷ | 1 ⁴ 1 ⁵ | 1 ⁶ 1 ⁷ | 1 ⁴ 1 ⁵ | 1 ⁶ 1 ⁷ | 1 ⁴ 1 ⁵ | 1 ⁶ 1 ⁷ | 1 ⁴ 1 ⁵ | 1 ⁶ 1 ⁷ | 1 ⁴ 1 ⁵ | 1 ⁶ 1 ⁷ | 1 ⁴ 1 ⁵ |
| K L | 1 ¹ 1 ² | 1 ⁶ 1 ⁷ | 1 ¹ 1 ² | 0 ⁵ 0 ⁶ | 1 ¹ 1 ² | 0 ⁵ 0 ⁶ | 1 ¹ 1 ² | 0 ⁵ 0 ⁶ | 1 ¹ 1 ² | 0 ⁵ 0 ⁶ | 1 ¹ 1 ² | 0 ⁵ 0 ⁶ | 1 ¹ 1 ² | 0 ⁵ 0 ⁶ | 1 ¹ 1 ² | 0 ⁵ 0 ⁶ |
| P | 1 ² 1 ⁴ | 1 ⁴ 1 ⁵ | 1 ² 1 ⁴ | 0 ⁵ 0 ⁶ | 1 ² 1 ⁴ | 0 ⁵ 0 ⁶ | 1 ² 1 ⁴ | 0 ⁵ 0 ⁶ | 1 ² 1 ⁴ | 0 ⁵ 0 ⁶ | 1 ² 1 ⁴ | 0 ⁵ 0 ⁶ | 1 ² 1 ⁴ | 0 ⁵ 0 ⁶ | 1 ² 1 ⁴ | 0 ⁵ 0 ⁶ |
| S | 1 ² 1 ⁴ | 1 ⁶ 1 ⁷ | 1 ² 1 ⁴ | 0 ⁵ 0 ⁶ | 1 ² 1 ⁴ | 0 ⁵ 0 ⁶ | 1 ² 1 ⁴ | 0 ⁵ 0 ⁶ | 1 ² 1 ⁴ | 0 ⁵ 0 ⁶ | 1 ² 1 ⁴ | 0 ⁵ 0 ⁶ | 1 ² 1 ⁴ | 0 ⁵ 0 ⁶ | 1 ² 1 ⁴ | 0 ⁵ 0 ⁶ |
| T | 1 ¹ 1 ² | 1 ⁶ 1 ⁷ | 0 ⁶ 1 ⁰ | 0 ⁶ 1 ⁰ | 1 ¹ 1 ² | 0 ⁶ 1 ⁰ | 0 ⁶ 1 ⁰ | 1 ¹ 1 ² | 0 ⁶ 1 ⁰ | 0 ⁶ 1 ⁰ | 1 ¹ 1 ² | 0 ⁶ 1 ⁰ | 0 ⁶ 1 ⁰ | 1 ¹ 1 ² | 0 ⁶ 1 ⁰ | 0 ⁶ 1 ⁰ |
| V | 0 ⁶ 1 ⁰ | 1 ⁴ 1 ⁵ | 1 ¹ 1 ² | 0 ⁶ 1 ⁰ | 1 ⁴ 1 ⁵ | 1 ¹ 1 ² | 0 ⁶ 1 ⁰ | 1 ⁴ 1 ⁵ | 1 ¹ 1 ² | 0 ⁶ 1 ⁰ | 1 ⁴ 1 ⁵ | 1 ¹ 1 ² | 0 ⁶ 1 ⁰ | 1 ⁴ 1 ⁵ | 1 ¹ 1 ² | 0 ⁶ 1 ⁰ |
| Y | 0 ⁵ 0 ⁶ | 1 ⁴ 1 ⁵ | 0 ⁶ 1 ⁰ | 0 ⁵ 0 ⁶ | 1 ⁴ 1 ⁵ | 0 ⁶ 1 ⁰ | 0 ⁵ 0 ⁶ | 1 ⁴ 1 ⁵ | 0 ⁶ 1 ⁰ | 0 ⁵ 0 ⁶ | 1 ⁴ 1 ⁵ | 0 ⁶ 1 ⁰ | 0 ⁵ 0 ⁶ | 1 ⁴ 1 ⁵ | 0 ⁶ 1 ⁰ | 0 ⁵ 0 ⁶ |
| Z | 1 ⁶ 1 ⁷ | 2 ² 2 ⁴ | 1 ⁶ 1 ⁷ | 1 ² 1 ⁴ | 1 ⁶ 1 ⁷ | 1 ² 1 ⁴ | 1 ⁶ 1 ⁷ | 1 ² 1 ⁴ | 1 ⁶ 1 ⁷ | 1 ² 1 ⁴ | 1 ⁶ 1 ⁷ | 1 ² 1 ⁴ | 1 ⁶ 1 ⁷ | 1 ² 1 ⁴ | 1 ⁶ 1 ⁷ | 1 ² 1 ⁴ |

LOWER CASE TO LOWER CASE SPACING CHART 6 INCH SERIES "C" & "D"

| SERIES | SECOND LETTER | | | | | | | | | | | | | | | |
|-----------------------------|-------------------------------|-------------------------------|-------------------------------|-------------------------------|-------------------------------|-------------------------------|-------------------------------|-------------------------------|-------------------------------|-------------------------------|-------------------------------|-------------------------------|-------------------------------|-------------------------------|-------------------------------|-------------------------------|
| | a c d e g o q | | b h k l m n p r u | | | | f w | | j | s t | | v y | | x | | z |
| | C | D | C | D | C | D | C | D | C | D | C | D | C | D | C | D |
| a d g h i j l m n q u | 1 ⁶ 1 ⁷ | 2 ² 2 ⁴ | 1 ⁶ 1 ⁷ | 1 ² 1 ⁴ | 1 ⁶ 1 ⁷ | 1 ² 1 ⁴ | 1 ⁶ 1 ⁷ | 1 ² 1 ⁴ | 1 ⁶ 1 ⁷ | 1 ² 1 ⁴ | 1 ⁶ 1 ⁷ | 1 ² 1 ⁴ | 1 ⁶ 1 ⁷ | 1 ² 1 ⁴ | 1 ⁶ 1 ⁷ | 1 ² 1 ⁴ |
| b f k o p s | 1 ² 1 ⁴ | 1 ⁶ 1 ⁷ | 1 ¹ 1 ² | 0 ⁵ 0 ⁶ | 1 ¹ 1 ² | 0 ⁵ 0 ⁶ | 1 ¹ 1 ² | 0 ⁵ 0 ⁶ | 1 ¹ 1 ² | 0 ⁵ 0 ⁶ | 1 ¹ 1 ² | 0 ⁵ 0 ⁶ | 1 ¹ 1 ² | 0 ⁵ 0 ⁶ | 1 ¹ 1 ² | 0 ⁵ 0 ⁶ |
| c e | 1 ² 1 ⁴ | 1 ⁶ 1 ⁷ | 1 ² 1 ⁴ | 0 ⁶ 1 ⁰ | 1 ² 1 ⁴ | 0 ⁶ 1 ⁰ | 1 ² 1 ⁴ | 0 ⁶ 1 ⁰ | 1 ² 1 ⁴ | 0 ⁶ 1 ⁰ | 1 ² 1 ⁴ | 0 ⁶ 1 ⁰ | 1 ² 1 ⁴ | 0 ⁶ 1 ⁰ | 1 ² 1 ⁴ | 0 ⁶ 1 ⁰ |
| r | 0 ⁶ 1 ⁰ | 1 ² 1 ⁴ | 0 ⁶ 1 ⁰ | 0 ³ 0 ⁵ | 0 ⁶ 1 ⁰ | 0 ³ 0 ⁵ | 0 ⁶ 1 ⁰ | 0 ³ 0 ⁵ | 0 ⁶ 1 ⁰ | 0 ³ 0 ⁵ | 0 ⁶ 1 ⁰ | 0 ³ 0 ⁵ | 0 ⁶ 1 ⁰ | 0 ³ 0 ⁵ | 0 ⁶ 1 ⁰ | 0 ³ 0 ⁵ |
| + z | 1 ² 1 ⁴ | 1 ⁶ 1 ⁷ | 1 ² 1 ⁴ | 0 ⁶ 1 ⁰ | 1 ² 1 ⁴ | 0 ⁶ 1 ⁰ | 1 ² 1 ⁴ | 0 ⁶ 1 ⁰ | 1 ² 1 ⁴ | 0 ⁶ 1 ⁰ | 1 ² 1 ⁴ | 0 ⁶ 1 ⁰ | 1 ² 1 ⁴ | 0 ⁶ 1 ⁰ | 1 ² 1 ⁴ | 0 ⁶ 1 ⁰ |
| v y | 1 ¹ 1 ² | 1 ⁴ 1 ⁵ | 1 ¹ 1 ² | 0 ⁵ 0 ⁶ | 1 ¹ 1 ² | 0 ⁵ 0 ⁶ | 1 ¹ 1 ² | 0 ⁵ 0 ⁶ | 1 ¹ 1 ² | 0 ⁵ 0 ⁶ | 1 ¹ 1 ² | 0 ⁵ 0 ⁶ | 1 ¹ 1 ² | 0 ⁵ 0 ⁶ | 1 ¹ 1 ² | 0 ⁵ 0 ⁶ |
| w | 1 ¹ 1 ² | 1 ⁴ 1 ⁵ | 1 ¹ 1 ² | 0 ⁵ 0 ⁶ | 1 ¹ 1 ² | 0 ⁵ 0 ⁶ | 1 ¹ 1 ² | 0 ⁵ 0 ⁶ | 1 ¹ 1 ² | 0 ⁵ 0 ⁶ | 1 ¹ 1 ² | 0 ⁵ 0 ⁶ | 1 ¹ 1 ² | 0 ⁵ 0 ⁶ | 1 ¹ 1 ² | 0 ⁵ 0 ⁶ |
| x | 1 ² 1 ⁴ | 1 ⁶ 1 ⁷ | 1 ¹ 1 ² | 0 ⁵ 0 ⁶ | 1 ² 1 ⁴ | 0 ⁵ 0 ⁶ | 1 ² 1 ⁴ | 0 ⁵ 0 ⁶ | 1 ² 1 ⁴ | 0 ⁵ 0 ⁶ | 1 ² 1 ⁴ | 0 ⁵ 0 ⁶ | 1 ² 1 ⁴ | 0 ⁵ 0 ⁶ | 1 ² 1 ⁴ | 0 ⁵ 0 ⁶ |

NUMBER TO NUMBER SPACING CHART 8 INCH SERIES "C" & "D"

| SERIES | SECOND NUMBER | | | | | | | | | | | | | | | | | | | |
|--------|-------------------------------|-------------------------------|-------------------------------|-------------------------------|-------------------------------|-------------------------------|-------------------------------|-------------------------------|-------------------------------|-------------------------------|-------------------------------|-------------------------------|-------------------------------|-------------------------------|-------------------------------|-------------------------------|-------------------------------|-------------------------------|-------------------------------|-------------------------------|
| | 0 | | 1 | | 2 | | 3 | | 4 | | 5 | | 6 | | 7 | | 8 | | 9 | |
| | C | D | C | D | C | D | C | D | C | D | C | D | C | D | C | D | C | D | C | D |
| 0 9 | 1 ⁶ 1 ⁷ | 1 ⁶ 1 ⁷ | 1 ⁶ 1 ⁷ | 1 ⁴ 1 ⁵ | 1 ² 1 ⁴ | 1 ⁴ 1 ⁵ | 1 ⁴ 1 ⁵ | 1 ⁴ 1 ⁵ | 1 ⁴ 1 ⁵ | 1 ⁴ 1 ⁵ | 1 ⁴ 1 ⁵ | 1 ⁴ 1 ⁵ | 1 ⁴ 1 ⁵ | 1 ⁴ 1 ⁵ | 1 ⁴ 1 ⁵ | 1 ⁴ 1 ⁵ | 1 ⁴ 1 ⁵ | 1 ⁴ 1 ⁵ | 1 ⁴ 1 ⁵ | 1 ⁴ 1 ⁵ |
| 1 | 2 ⁰ 2 ¹ | 2 ⁰ 2 ¹ | 2 ⁰ 2 ¹ | 2 ⁰ 2 ¹ | 1 ⁶ 1 ⁷ | 1 ⁴ 1 ⁵ | 2 ⁰ 2 ¹ | 1 ⁶ 1 ⁷ | 1 ⁴ 1 ⁵ | 2 ⁰ 2 ¹ | 1 ⁶ 1 ⁷ | 1 ⁴ 1 ⁵ | 2 ⁰ 2 ¹ | 1 ⁶ 1 ⁷ | 1 ⁴ 1 ⁵ | 2 ⁰ 2 ¹ | 1 ⁶ 1 ⁷ | 1 ⁴ 1 ⁵ | 2 ⁰ 2 ¹ | 1 ⁶ 1 ⁷ |
| 2 3 4 | 1 ⁴ 1 ⁵ | 1 ⁴ 1 ⁵ | 1 ⁴ 1 ⁵ | 1 ⁴ 1 ⁵ | 1 ² 1 ⁴ | 1 ² 1 ⁴ | 1 ² 1 ⁴ | 1 ² 1 ⁴ | 1 ² 1 ⁴ | 1 ² 1 ⁴ | 1 ² 1 ⁴ | 1 ² 1 ⁴ | 1 ² 1 ⁴ | 1 ² 1 ⁴ | 1 ² 1 ⁴ | 1 ² 1 ⁴ | 1 ² 1 ⁴ | 1 ² 1 ⁴ | 1 ² 1 ⁴ | 1 ² 1 ⁴ |
| 5 | 1 ⁴ 1 ⁵ | 1 ⁴ 1 ⁵ | 1 ⁴ 1 ⁵ | 1 ⁴ 1 ⁵ | 1 ¹ 1 ² | 1 ¹ 1 ² | 1 ¹ 1 ² | 1 ¹ 1 ² | 1 ¹ 1 ² | 1 ¹ 1 ² | 1 ¹ 1 ² | 1 ¹ 1 ² | 1 ¹ 1 ² | 1 ¹ 1 ² | 1 ¹ 1 ² | 1 ¹ 1 ² | 1 ¹ 1 ² | 1 ¹ 1 ² | 1 ¹ 1 ² | 1 ¹ 1 ² |
| 6 | 1 ⁶ 1 ⁷ | 1 ⁴ 1 ⁵ | 1 ⁴ 1 ⁵ | 1 ² 1 ⁴ | 1 ⁶ 1 ⁷ | 1 ⁴ 1 ⁵ | 1 ² 1 ⁴ | 1 ⁶ 1 ⁷ | 1 ⁴ 1 ⁵ | 1 ² 1 ⁴ | 1 ⁶ 1 ⁷ | 1 ⁴ 1 ⁵ | 1 ² 1 ⁴ | 1 ⁶ 1 ⁷ | 1 ⁴ 1 ⁵ | 1 ² 1 ⁴ | 1 ⁶ 1 ⁷ | 1 ⁴ 1 ⁵ | 1 ² 1 ⁴ | 1 ⁶ 1 ⁷ |
| 7 | 1 ² 1 ⁴ | 1 ² 1 ⁴ | 1 ² 1 ⁴ | 1 ² 1 ⁴ | 1 ² 1 ⁴ | 1 ² 1 ⁴ | 1 ² 1 ⁴ | 1 ² 1 ⁴ | 1 ² 1 ⁴ | 1 ² 1 ⁴ | 1 ² 1 ⁴ | 1 ² 1 ⁴ | 1 ² 1 ⁴ | 1 ² 1 ⁴ | 1 ² 1 ⁴ | 1 ² 1 ⁴ | 1 ² 1 ⁴ | 1 ² 1 ⁴ | 1 ² 1 ⁴ | 1 ² 1 ⁴ |
| 8 | 1 ⁶ 1 ⁷ | 1 ⁶ 1 ⁷ | 1 ⁴ 1 ⁵ | 1 ² 1 ⁴ | 1 ⁶ 1 ⁷ | 1 ⁴ 1 ⁵ | 1 ² 1 ⁴ | | | | | | | | | | | | | |