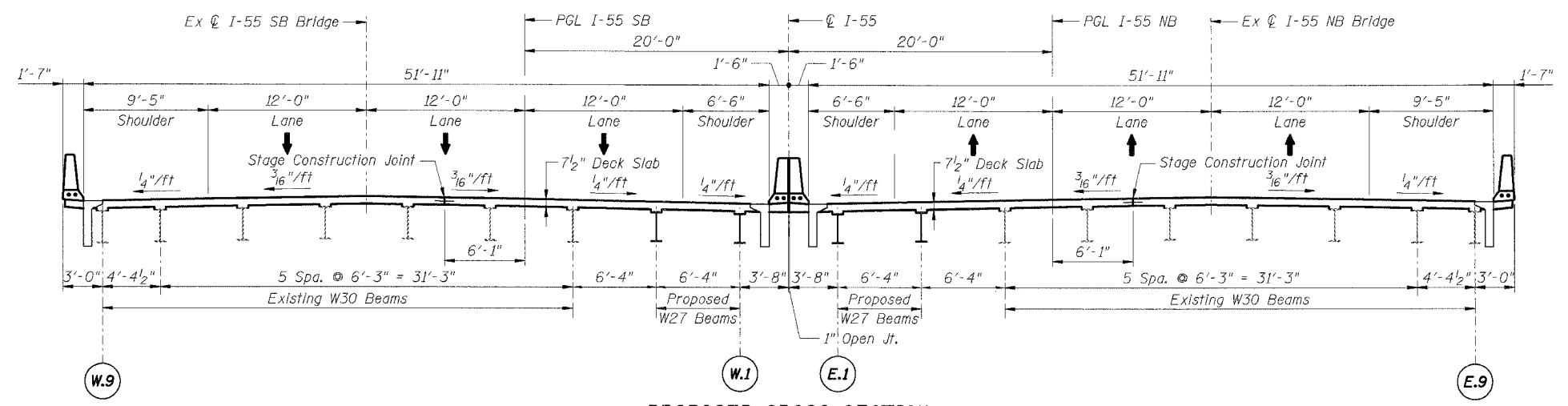
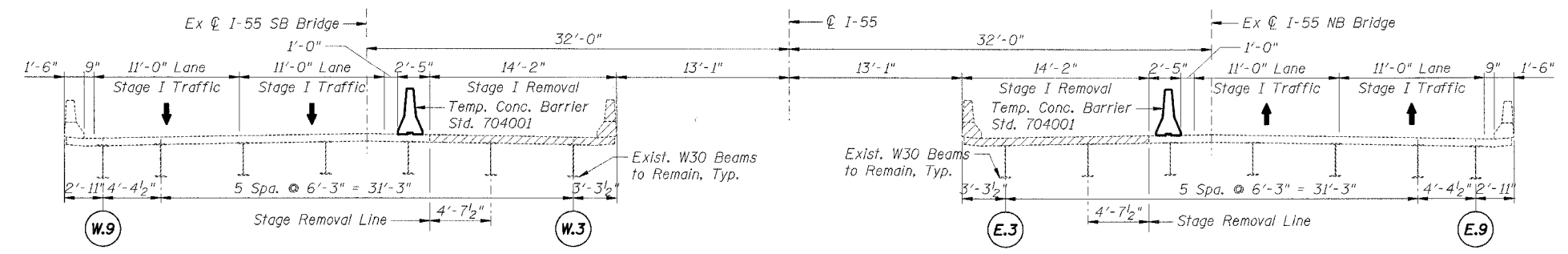


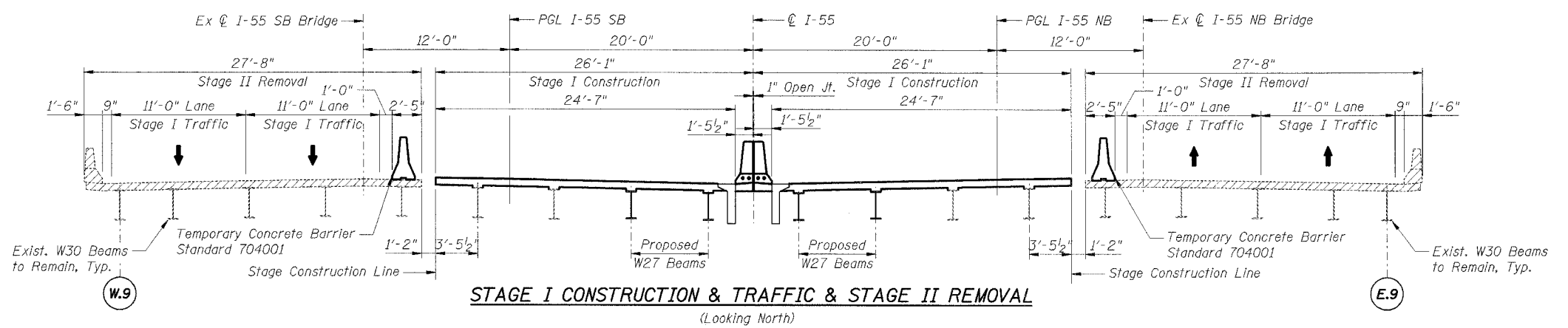
F.A.I. RTE.	SECTION	COUNTY	TOTAL SHEETS	SHEET NO.
55	2005-063 I	WILL	50	13
STA.		TO STA.		
FED. ROAD DIST. NO.		ILLINOIS FED. AID PROJECT		



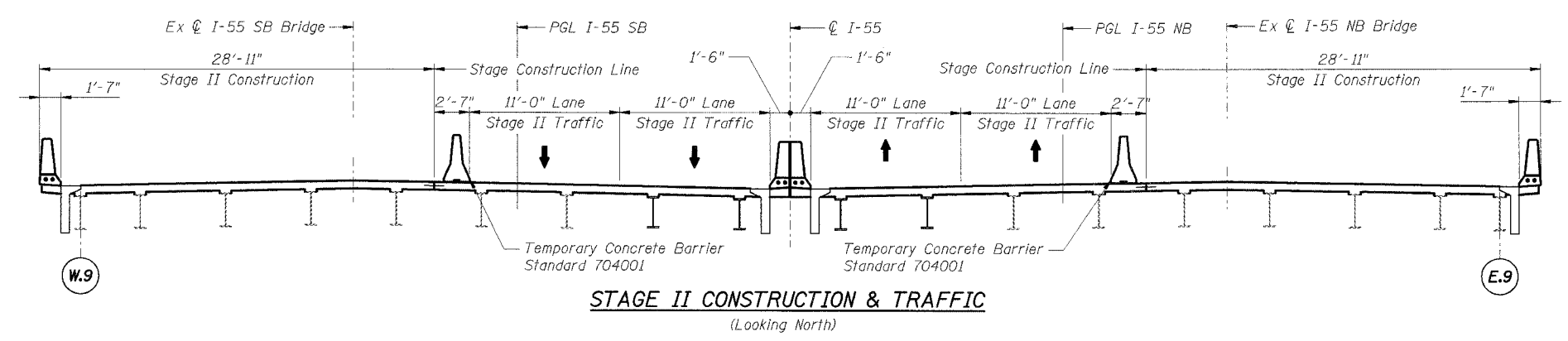
**PROPOSED CROSS SECTION**  
(Looking North)



**EXISTING STRUCTURES - STAGE I REMOVAL & TRAFFIC**  
(Looking North)



**STAGE I CONSTRUCTION & TRAFFIC & STAGE II REMOVAL**  
(Looking North)



**STAGE II CONSTRUCTION & TRAFFIC**  
(Looking North)

**LEGEND:**  
 Concrete Removal

SHT. SC-3 OF 38

REVISIONS	
NAME	DATE

ILLINOIS DEPARTMENT OF TRANSPORTATION  
 FAI ROUTE 55 (I-80 TO WEBER ROAD)  
 BEAM AND BEARING FABRICATION  
 SB & NB I-55 OVER US RTE. 30, S.N. 099-0016 & 099-0017  
 STA. 587+80.82, SECTION 2005-063 I  
 WILL COUNTY

**CONSTRUCTION STAGING**

SCALE: \_\_\_\_\_ DRAWN BY: PA  
 DATE: 05/19/06 CHECKED BY: MJK  
**TENG**  
 TENG & ASSOCIATES, INC.  
 ENGINEERS/ARCHITECTS/PLANNERS  
 CHICAGO, ILLINOIS

**MORCOM, N.V., INC.**  
 CONSULTING ENGINEERS  
 CHICAGO, ILLINOIS

PLOT DATE = 05/19/06  
 FILE NAME = 051906.DWG  
 USER NAME = MJK  
 5:17:20PM, 130709  
 S:\DOCUMENT\02365501\STRUCT\CDR\BSC2\DRG6LSHT