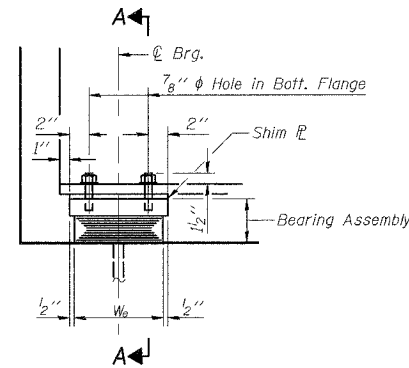


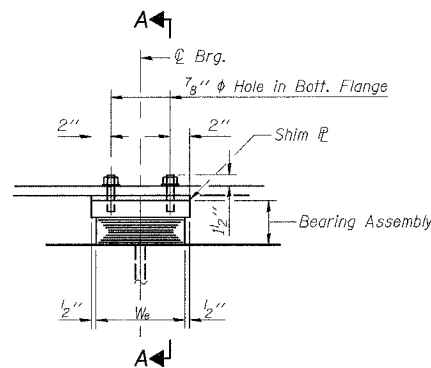
STATE OF ILLINOIS
DEPARTMENT OF TRANSPORTATION

ROUTE NO.	SECTION	COUNTY	SHEET NO.	SHEET	SHEET NO. 11
FAI-55	**	WILL	50	33	15 SHEETS
FED. ROAD DIST. NO. 7	ILLINOIS	FED. AID PROJECT-			

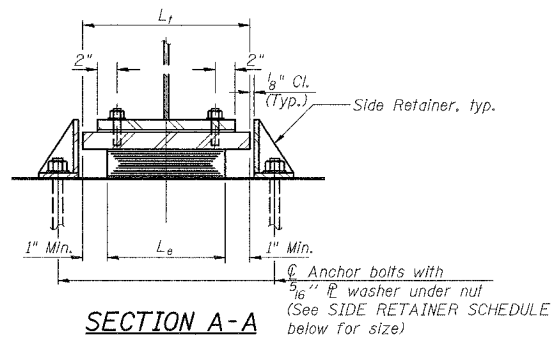
** SECTION 2005-063 I
CONTRACT NO. 60A67



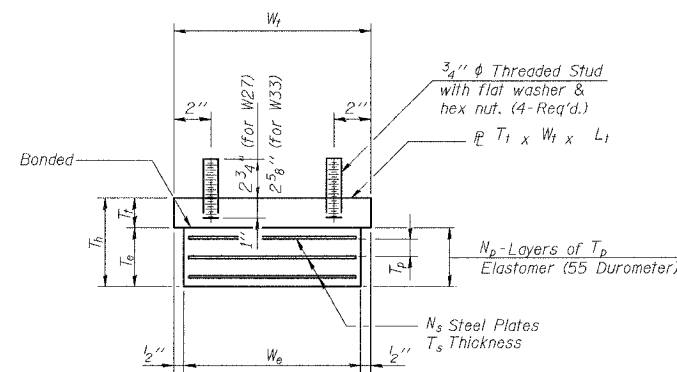
ELEVATION AT S. ABUT. (NB & SB)
(8 required)



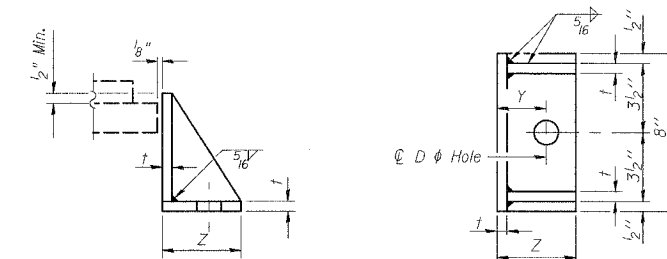
ELEVATION AT PIER 2 (NB)
(3 required)



SECTION A-A



BEARING ASSEMBLY
(Shim plates shall not be placed under Bearing Assembly)



SIDE RETAINER

(Equivalent rolled angle with stiffeners will be allowed in lieu of welded plates. Weight included with Structural Steel)

SIDE RETAINER SCHEDULE

Location	Beam	Anchor Bolt Dia. x Length (in.)	Plate Washer (in.)	Side Retainer (in.)			
				Y	Z	t	D (Hole)
NB S. Abut.	W27	1 x 12	2 1/4 x 2 1/4 x 5/16	2 1/8	4	1/2	1 1/4
NB Pier 2	W27	1 1/4 x 15	2 3/4 x 2 3/4 x 5/16	2 3/8	4 3/4	1/2	1 1/2
SB S. Abut.	All	1 x 12	2 1/4 x 2 1/4 x 5/16	2 1/8	4	1/2	1 1/4

BILL OF MATERIAL

Item	Unit	Total
Elastomeric Bearing Assembly Type I	Each	11

Notes:

1. See Sheet No. 13 for Anchor Bolt Installation.

TYPE I ELASTOMERIC EXP. BRG.

BEARING DIMENSION SCHEDULE

Location	Beam	Bearing							Top Plate			T _b
		W _b	L ₂	T _p	N _p	T _s	N _s	T ₁	W _t	L _t	T _t	
NB S. Abut.	W27	7"	12"	3/8"	4	3/32"	3	1 3/4"	8"	14"	2"	3 3/4"
NB Pier 2	W27	10"	14"	7/16"	5	1/8"	4	2 1/16"	11"	16"	2 1/4"	4 5/16"
SB S. Abut.	All	7"	12"	3/8"	4	3/32"	3	1 3/4"	8"	14"	2"	3 3/4"

DESIGNED	J.ZUO
CHECKED	J.GRAINAWI
DRAWN	Z.MORILLO
CHECKED	J.GRAINAWI

Date: 5/15/2006



ELASTOMERIC BEARING
ASSEMBLY TYPE I
I-55 OVER EJ&E R.R.
FAI ROUTE 55 SEC. 2005-063 I
WILL COUNTY
STA. 609+29.37
STRUCTURE NO. 099-0018 (NB)
STRUCTURE NO. 099-0019 (SB)