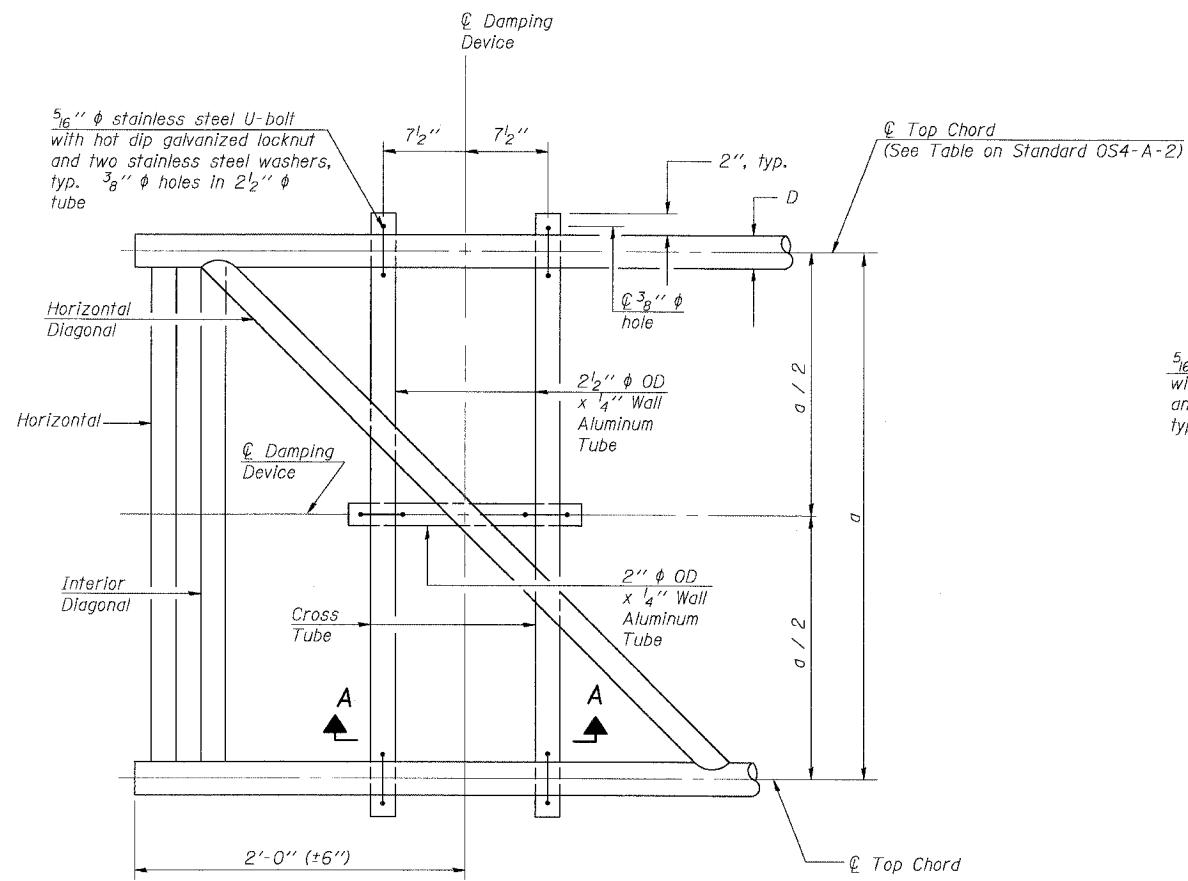
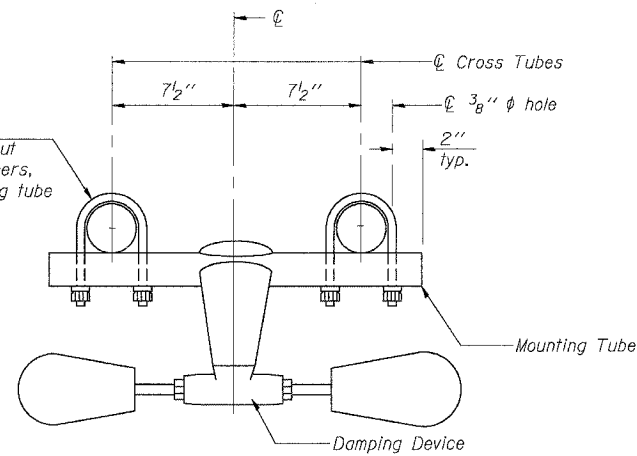


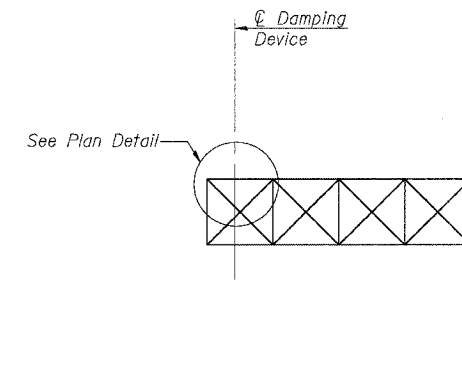
F.A.I. RTE.	SECTION	COUNTY	TOTAL SHEETS	SHEET NO.
55	2005-062 I	WILL	72	40
STA.		TO STA.		
FED. ROAD DIST. NO.		ILLINOIS	FED. AID PROJECT	



PLAN DETAIL



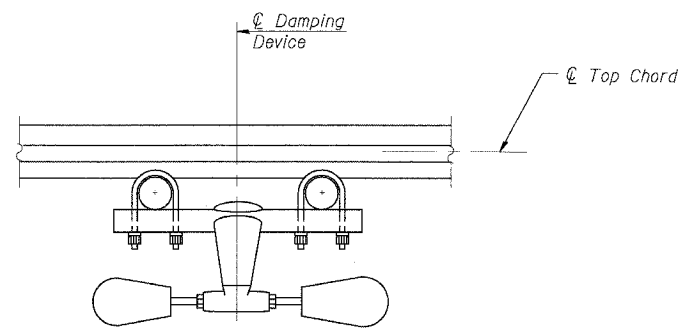
TRUSS DAMPING DEVICE CONNECTION DETAIL



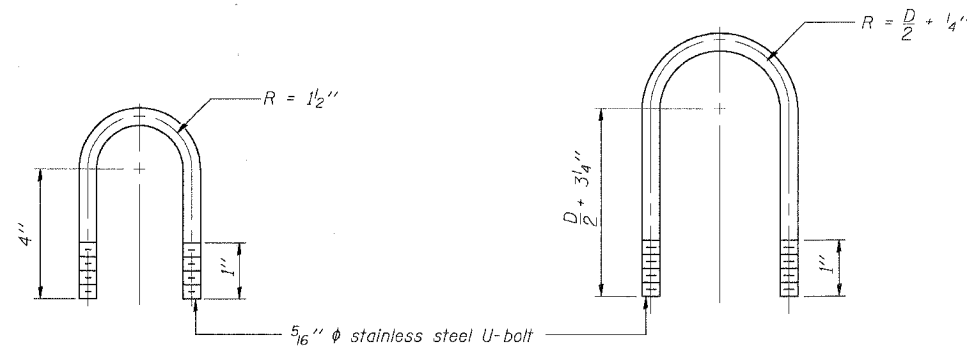
ELEVATION
Aluminum Cantilever Sign Structure

GENERAL NOTES

- Damper: One damper per truss. (31 lbs. Stockbridge-Type Aluminum)
- Materials: Aluminum tubes shall be ASTM B221 alloy 6061 temper T6



SECTION A-A



DAMPING DEVICE MOUNTING TUBE U-BOLT DETAIL
(Typical)

TOP CHORD TO CROSS TUBE U-BOLT DETAIL
(Typical)

SHT. S-14 OF 27

REVISIONS	
NAME	DATE

ILLINOIS DEPARTMENT OF TRANSPORTATION
FAI ROUTE 55 (I-80 TO U.S. 30)
SIGNING
WILL COUNTY

CANTILEVER SIGN STRUCTURES DAMPING DEVICE

SCALE: DATE 05/19/06 DRAWN BY MDB CHECKED BY MJK

TENG TENG & ASSOCIATES, INC.
ENGINEERS/ARCHITECTS/PLANNERS
CHICAGO, ILLINOIS

OSC-A-D 1-7-05

PLOT DATE = 05/19/06
 FILE NAME = #FILE#
 PLOT SCALE = #SCALE#
 USER NAME = #USER#
 S:\DOCUMENT\238138\STRUCT\DOCS\597\A025.SHT
 GARCIAZ
 5-17-2005, 14:28:16