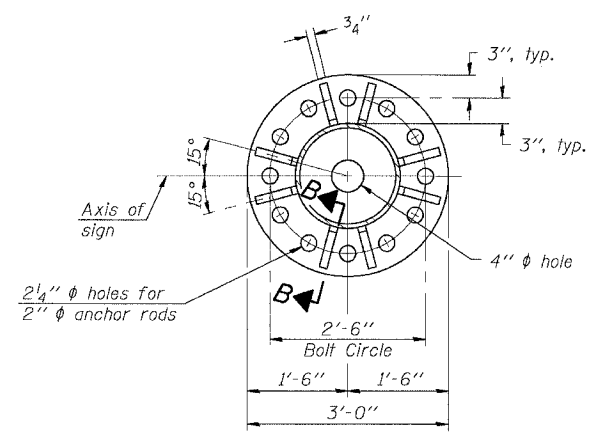
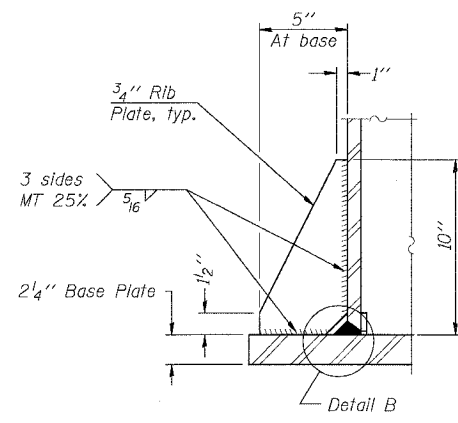


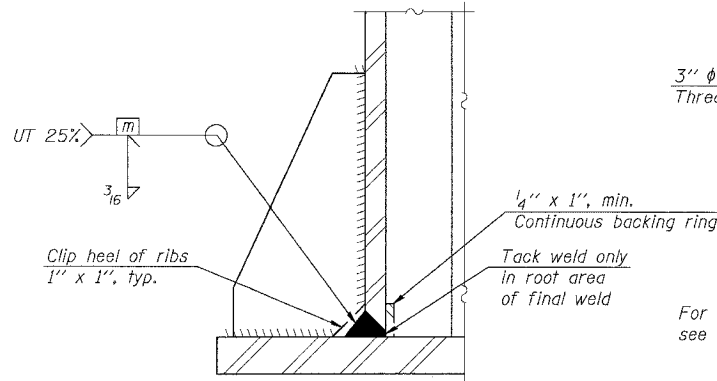
F.A.I. RTE.	SECTION	COUNTY	TOTAL SHEETS	SHEET NO.
55	2005-062 I	WILL	72	42
STA.	TO STA.			
FED. ROAD DIST. NO.	ILLINOIS	FED. AID PROJECT		



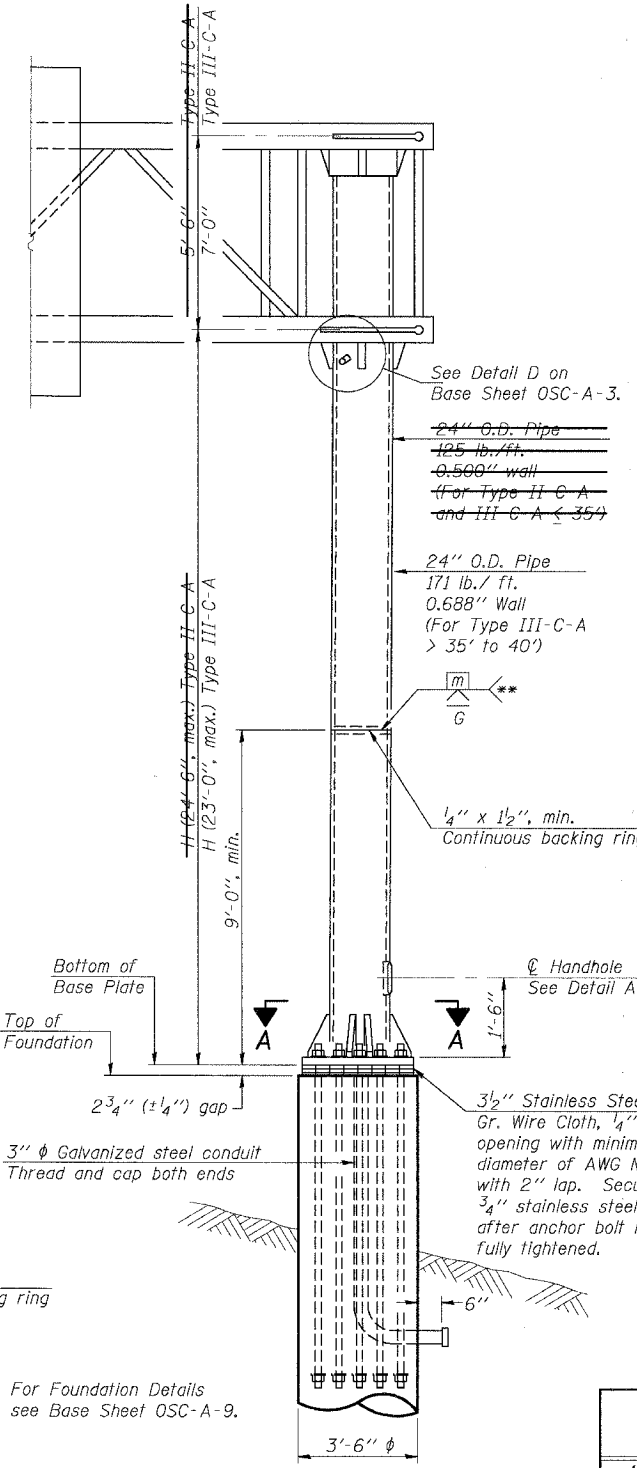
SECTION A-A



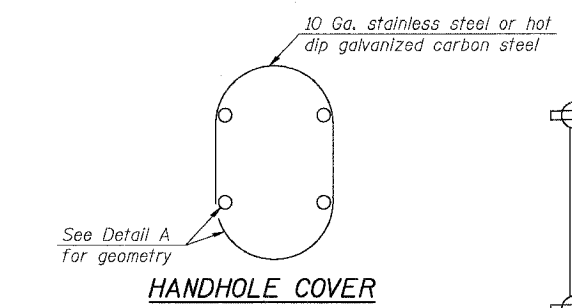
SECTION B-B



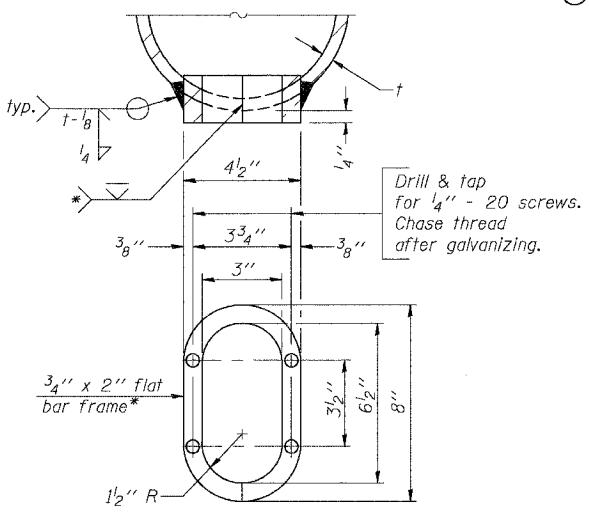
DETAIL B  
(Typical rib)



FRONT ELEVATION



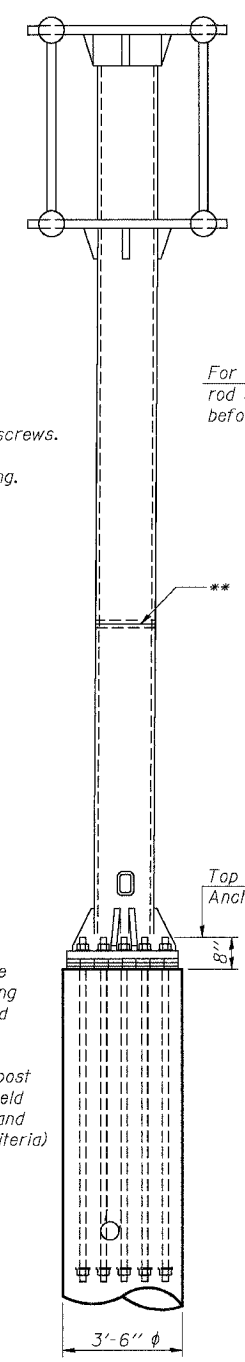
HANDHOLE COVER



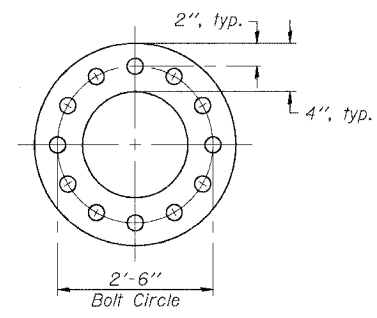
DETAIL A

- \* Bent bars may be butt welded top and bottom or bottom only. In lieu of fabricated handhole frame as shown, may cut from 2" plate (rolling direction vertical). All cut faces to be ground to ANSI Roughness of 500 min or less.
- \*\* Butt welded joint in post is only allowed for post heights (H) over 20 ft. in length. If used, weld procedure must be preapproved by Engineer and joint shall receive 100% RT or UT (tension criteria) at Contractor's expense.

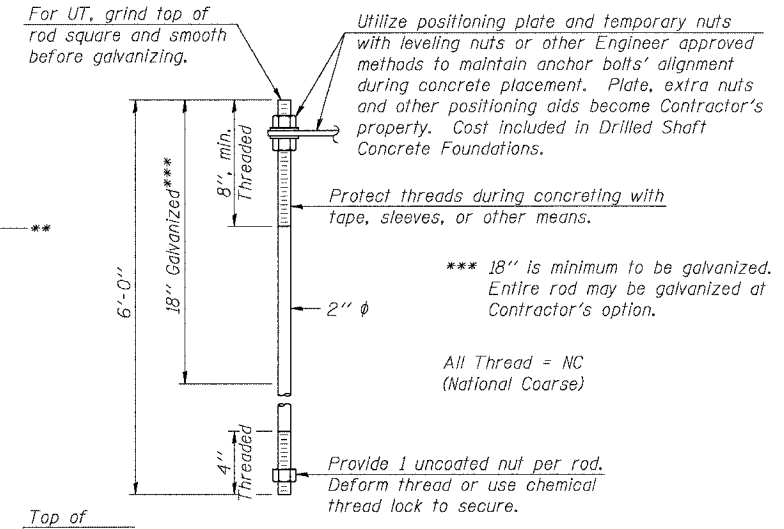
Structure Number	Station	H
1C0991055R251.56	277+45	20'-3"



SIDE ELEVATION



SUGGESTED POSITIONING PLATE



ANCHOR ROD DETAIL

Anchor rods shall conform to AASHTO M314 Grade 55 and meet Charpy V-Notch (CVN) energy of 15 lb.-ft. at 10° F. before galvanizing. Galvanize the upper 18" (minimum) and associated M291, Grade A, C or DH heavy hex nuts and hardened washers per AASHTO M232. No welding shall be permitted on rods. Provide an unfinished nut at bottom, a hexagon locknut and washer above base plate and a leveling nut and washer below base plate. Nuts shall each be tightened with 200 lb.-ft. minimum torque against base plate. Before or after threading, but before galvanizing, each anchor rod shall be ultrasonically tested (UT) by a Level II or III inspector, qualified in accord with ANSI guidelines, using a straight beam, 1/2" φ 3.5 mhz. transducer, to insure no rejectable flaws exist in the upper 18" (tension criteria). Cost of testing included in Drilled Shaft Concrete Foundations.

NUMBER	REVISION	DATE

SHT. S-16 OF 27

REVISIONS	
NAME	DATE

ILLINOIS DEPARTMENT OF TRANSPORTATION  
 FAI ROUTE 55 (I-80 TO U.S. 30)  
 SIGNING  
 WILL COUNTY

**CANTILEVER SIGN STRUCTURES  
 TYPE II-C-A & III-C-A TRUSS SUPPORT POST  
 ALUMINUM TRUSS & STEEL POST**

SCALE: DRAWN BY: MDB  
 DATE: 05/19/06 CHECKED BY: MJK

**TENG**  
 TENG & ASSOCIATES, INC.  
 ENGINEERS/ARCHITECTS/PLANNERS  
 CHICAGO, ILLINOIS

PLOT DATE = 05/19/06  
 PLOT SCALE = 1/8" = 1'-0"  
 PLOT USER = BUSEYR  
 5/17/2006, 14:28:26  
 S:\DOCUMENT\0236156\STRUCT\CONV\59714276.SHT  
 GARCIAZ