

STATE OF ILLINOIS
DEPARTMENT OF TRANSPORTATION

Temporary Concrete Barrier
See Standard 704001

ROUTE NO.	SECTION	COUNTY	TOTAL SHEETS	SHEET NO.
		Lake	7	1
SHEET NO. 1 4 SHEETS				
FED. ROAD DIST. NO. 7	ILLINOIS	FED. AID PROJECT-		
Contract Number: 60B67				

GENERAL NOTES

Plan dimensions and details relative to existing structure have been taken from existing plans and are subject to nominal construction variations. It shall be the Contractor's responsibility to verify such dimensions and details in the field and make necessary approved adjustments prior to construction or ordering of materials. Such variations shall not be cause for additional compensation for a change in the scope of the work, however, the Contractor will be paid for the quantity actually furnished at the unit price bid for the work.

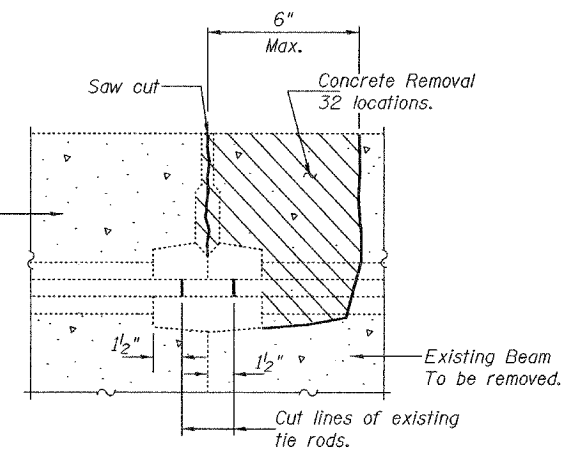
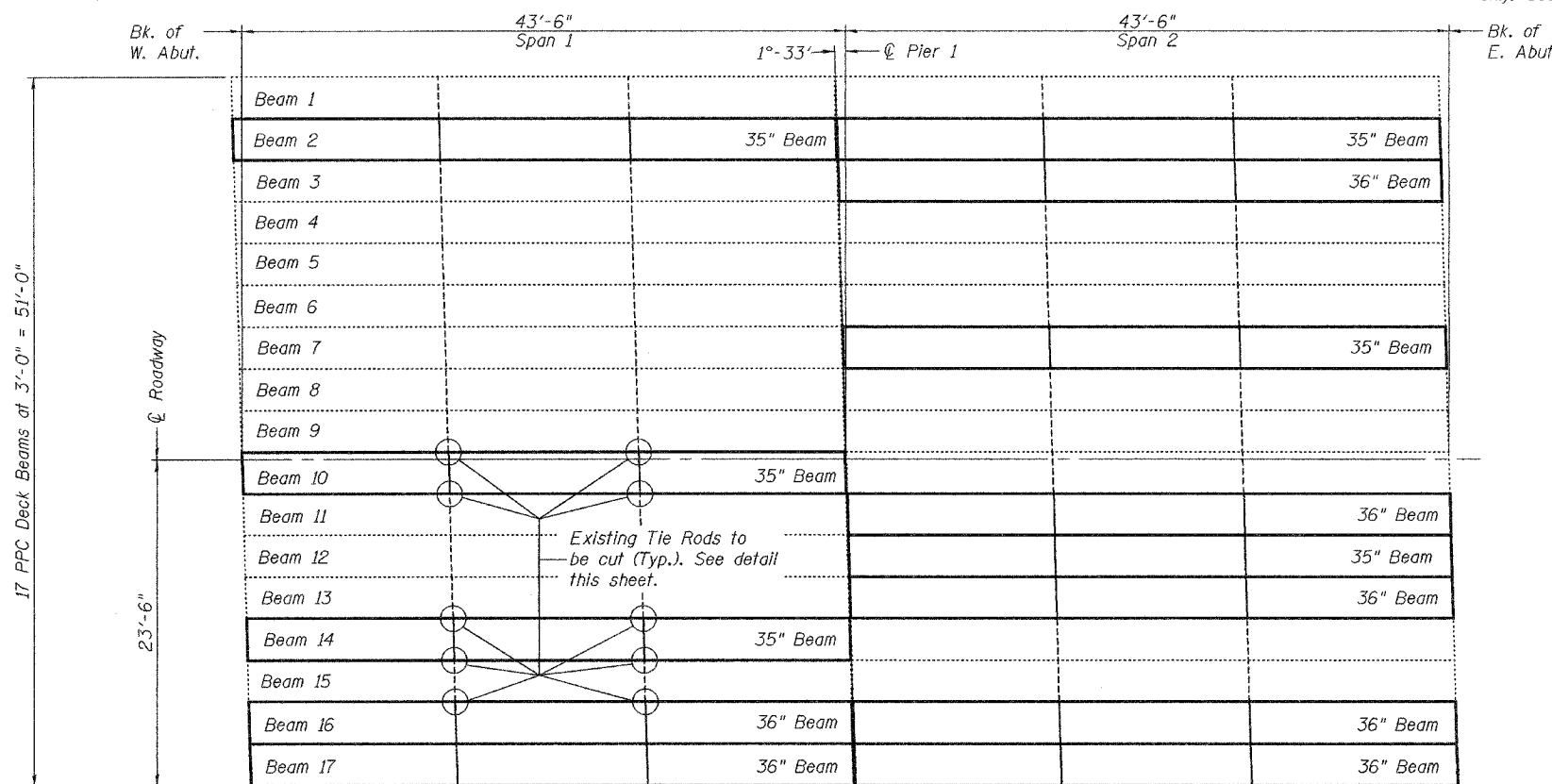
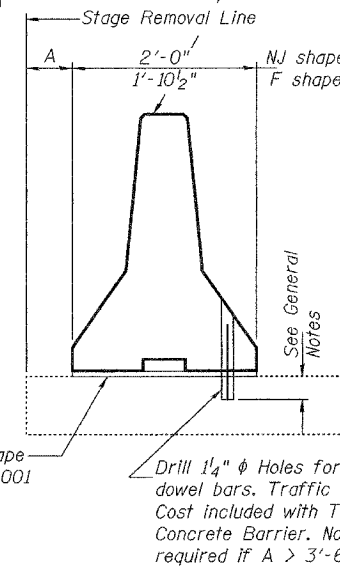
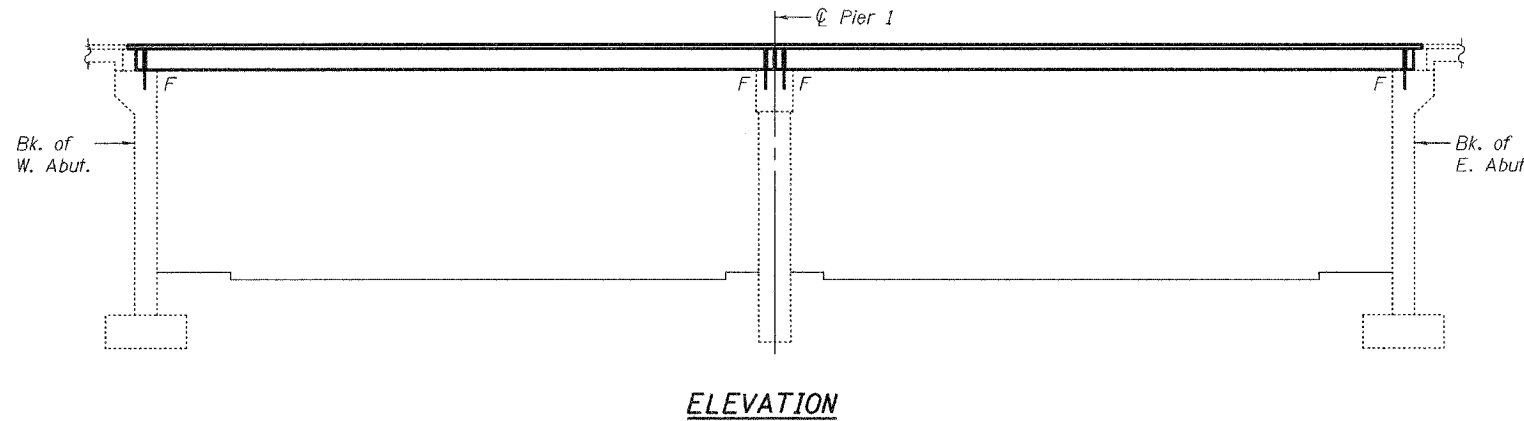
Any damage done to the bridge during beam removal shall be repaired by the Contractor. Cost to be included in the cost of "Removal of Existing P.P.C. Deck Beams".

The top surface of the beams shall be finished in accordance with Article 504.06 of the Standard Specifications except that the surface shall not be roughened by brooming. The finished surface shall be free of depressions or high spots with sharp corners, and the top edge of keys shall be rounded or chamfered a minimum of 1/4".

For quantities of Temporary Concrete Barrier, see Roadway Plans. If required to be anchored, temporary concrete barrier shall only be anchored into the overlay and not the PPC Deck Beams. Holes shall be patched with bituminous material following relocation / removal of barrier. Cost included in Temporary Concrete Barrier.

The cut strands at each beam end shall be given two coats of zinc dust spray or paint meeting the requirements of ASTM A780. The zinc dust spray or paint shall be applied before corrosion appears and allowed to dry according to the manufacturer's specifications prior to another coat of zinc. This work shall be performed by the producer and included with the cost of the beam.

All construction joints shall be banded.

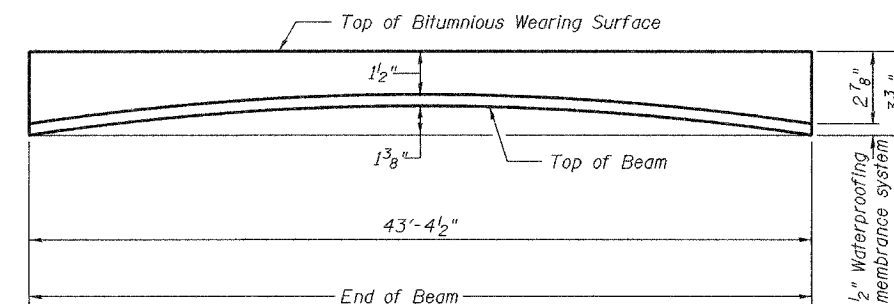


DESIGN STRESSES
PRECAST UNITS

$f'_c = 5,000$ psi
 $f'_{ci} = 4,000$ psi
 $f'_s = 270,000$ psi (1/2" φ low lax strands)
 $f'_{si} = 201,960$ psi (1/2" φ low lax strands)

TOTAL BILL OF MATERIAL

ITEM	UNIT	QUANTITY
Concrete Removal	Cu. Yd.	25.4
Removal of Existing PPC Deck Beams	Sq. Ft.	1,695
Concrete Superstructure	Cu. Yd.	25.4
PPC Deck Beams (17" Depth)	Sq. Ft.	1,670
Reinforcement Bars, Epoxy Coated	Pound	2,280
Bituminous Concrete Surface Course, Superpave Mix "D" N50	Tons	22
PC Mortar Fairing Course	Foot	737
Waterproofing Membrane System	Sq. Yd.	195
Protective Coat	Sq. Yd.	142
Bituminous Concrete Surface Removal	Sq. Yd.	45



PLAN AND ELEVATION
IL. RT. 176 / U.S. 41
LAKE COUNTY
SN 049-0131

DESIGNED Paul S. Johnson
CHECKED Adrian T. Hallaway
DRAWN Drew Christy
CHECKED PSJ AFH

EXAMINED John A. Morris
PASSED Ralph E. Anderson



Expires: November 30, 2006