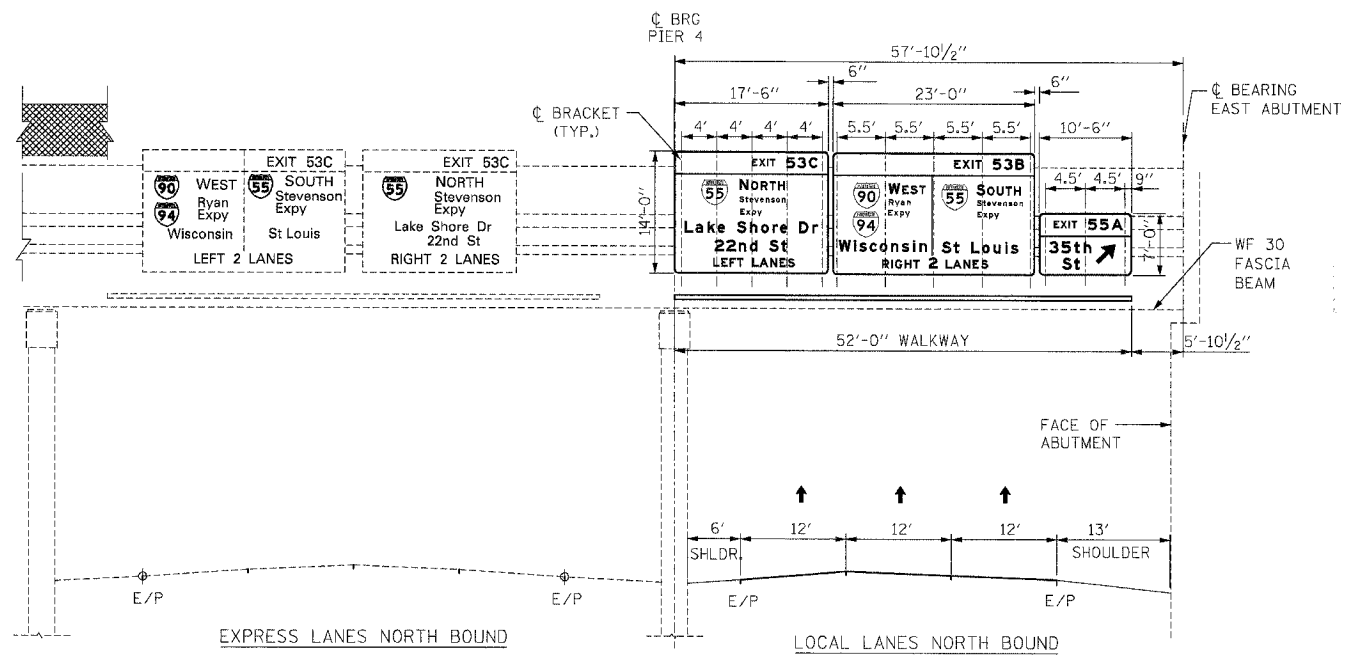
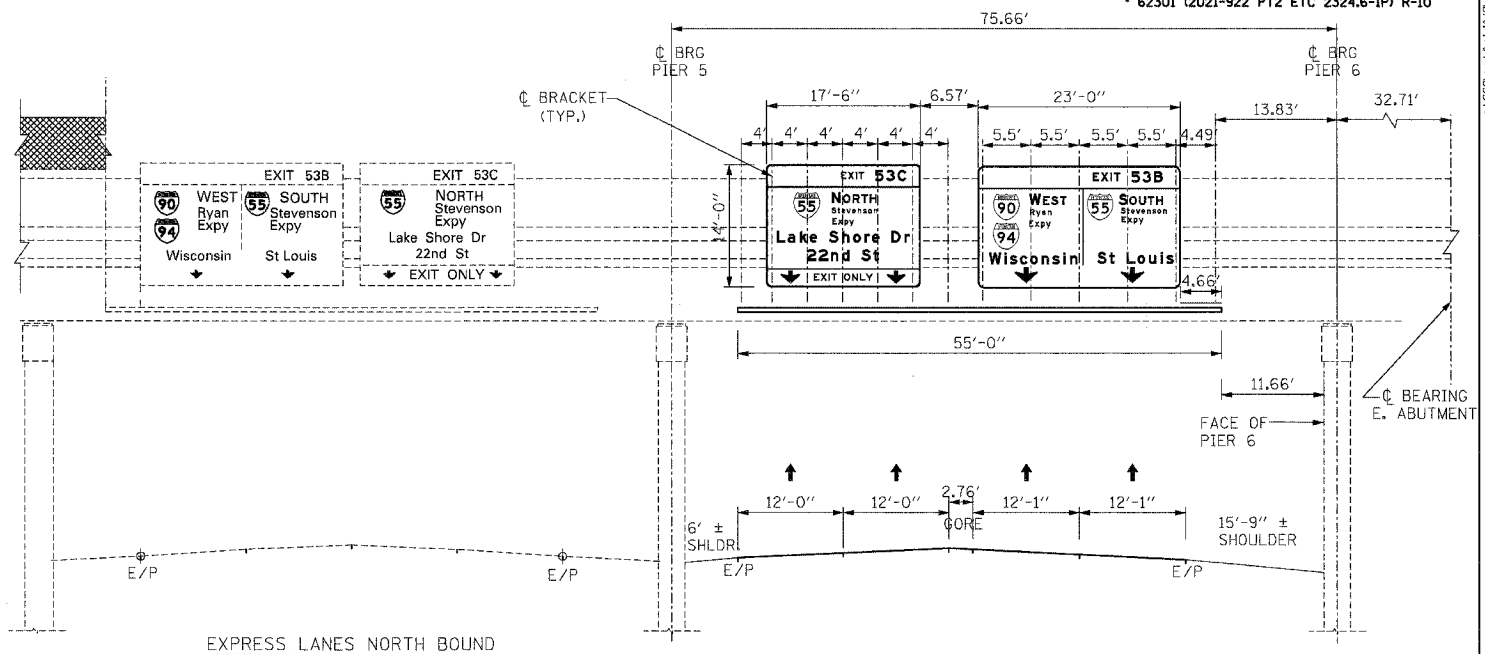


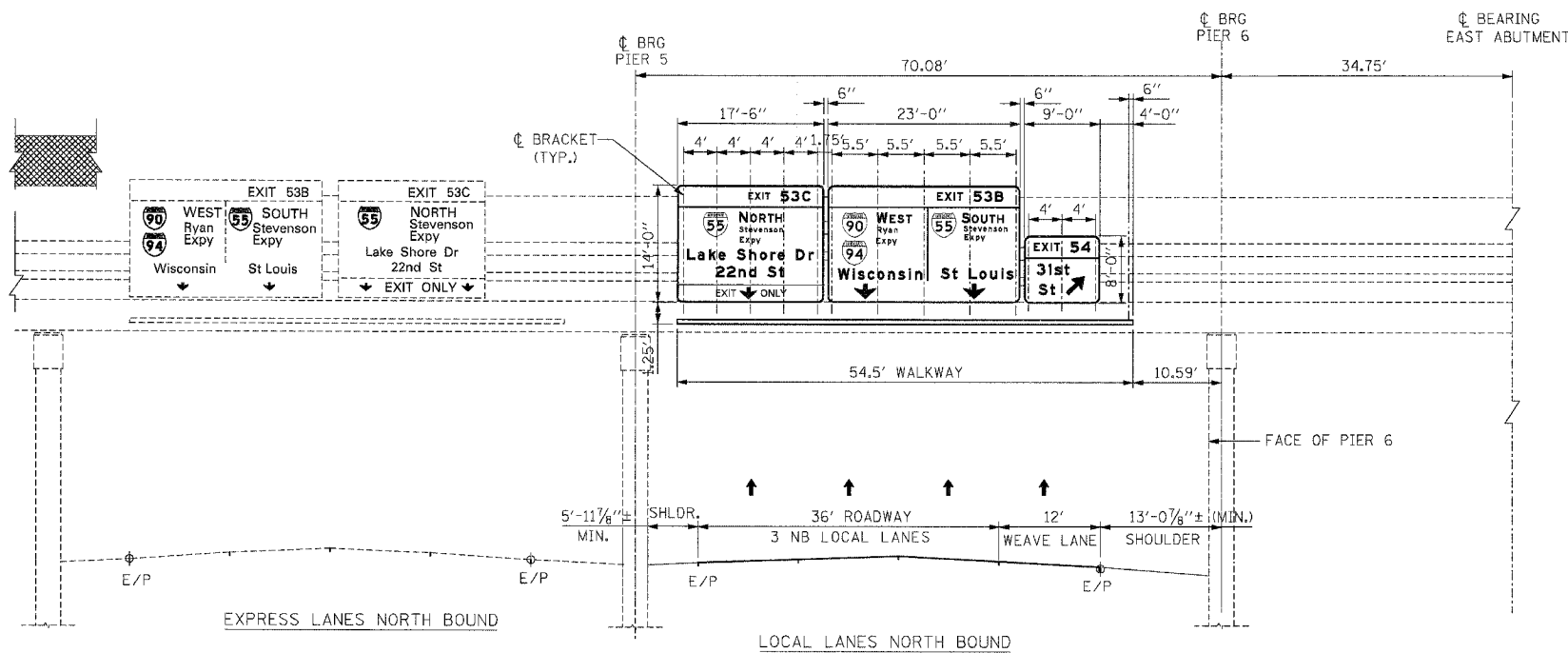
F.A.I. RTE.	SECTION	COUNTY	TOTAL SHEETS	SHEET NO.
94/90	*	COOK	565	253
STA.	TO STA.			
FED. ROAD DIST. NO.	ILLINOIS	FED. AID PROJECT		
* 62301 (2021-922 PT2 ETC 2324.6-1P) R-10				



PERSHING ROAD (39TH ST) BRIDGE ELEVATION
 1B016I094L055.73
 STA. 4582+26±



LOCAL LANES NORTH BOUND
 31st STREET BRIDGE ELEVATION
 1B016I094L054.72
 STA. 4635+47±



33rd STREET BRIDGE ELEVATION
 1B016I094L054.97
 STA. 4622+31±

REVISIONS	
NAME	DATE

ILLINOIS DEPARTMENT OF TRANSPORTATION
 F.A.I. 90/94 (DAN RYAN EXPRESSWAY)
 GARFIELD BLVD TO 31ST STREET (NB LOCAL LANES)
 SIGN PLACEMENT DETAILS

SCALE: NONE
 DATE: 06/09/06
 DRAWN BY: RV
 MSA



SGN-11

6/7/2006