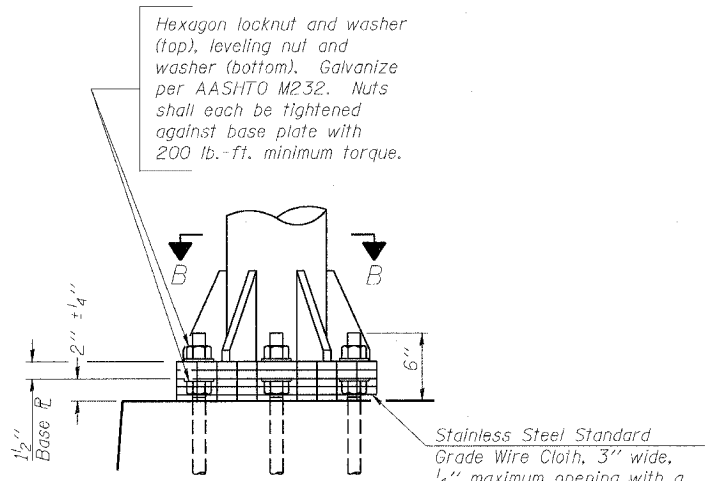


STATE OF ILLINOIS
DEPARTMENT OF TRANSPORTATION

ROUTE NO.	SECTION	COUNT	TOTAL SHEETS	SHEET NO.
F.A.I. RTE. 90/94		COOK	565	259
FED. ROAD DIST. NO. 1	ILLINOIS	FED. AID PROJECT		
• (1818, ETC, 2324, 6-1P) R-10				62301

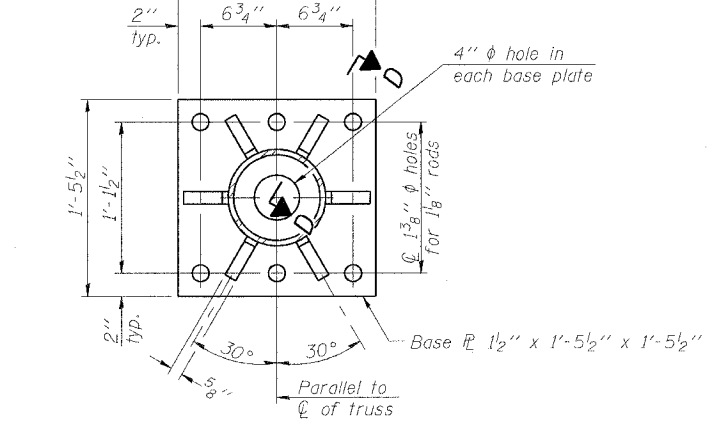


DETAIL B

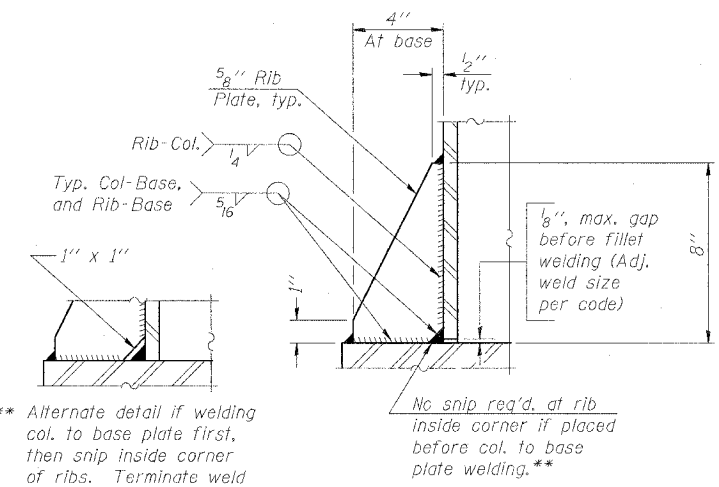
Hexagon locknut and washer (top), leveling nut and washer (bottom). Galvanize per AASHTO M232. Nuts shall each be tightened against base plate with 200 lb.-ft. minimum torque.

Ribs shall be cut to fit slope of pipe.

Stainless Steel Standard Grade Wire Cloth, 3" wide, 1/4" maximum wire opening with a minimum wire diameter of AWG. No. 16 with a minimum 2" lap. Secure to base plate after erection with 3/4" stainless steel banding.



SECTION B-B

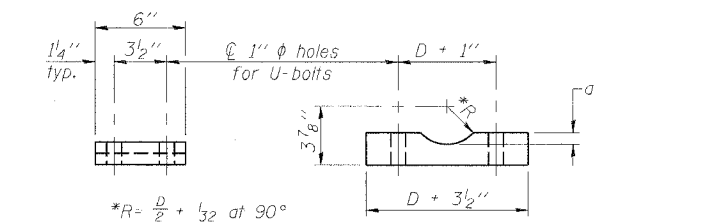


SECTION D-D

1/8" max. gap before fillet welding (Adj. weld size per code)

No snip req'd. at rib inside corner if placed before col. to base plate welding.

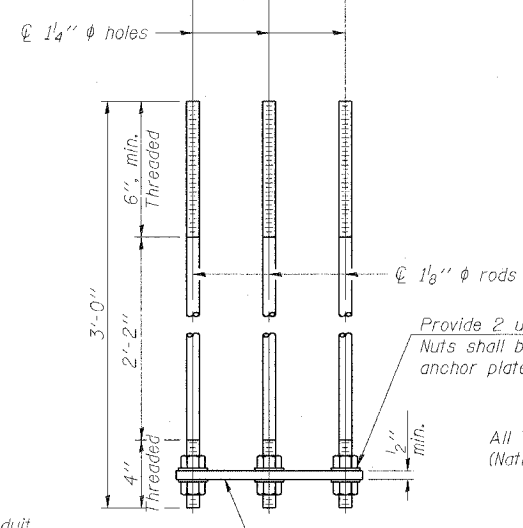
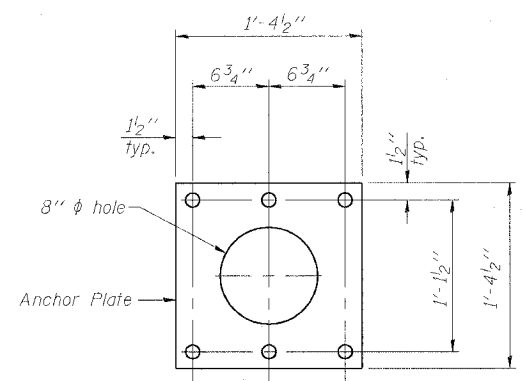
** Alternate detail if welding col. to base plate first, then snip inside corner of ribs. Terminate weld on rib 1/4" from snip.



SADDLE SHIM DETAIL

ASTM B26 Alloy 356-F or ASTM B209 Alloy 6061-T651 (4 required per sign truss)

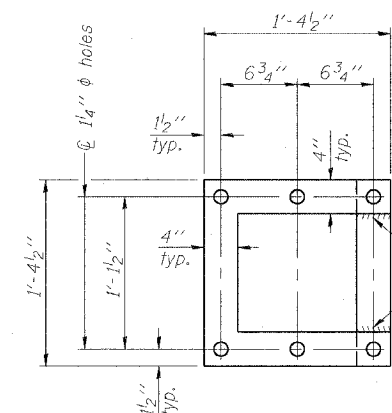
Truss Chord Nominal Dia.	a
5"	3/4"
5 1/2"	13/16"
6"	7/8"
6 1/2"	15/16"



ANCHOR ROD DETAIL
Spread Footing Foundation

Provide 2 uncoated nuts per rod. Nuts shall be "snug tight" against anchor plate.

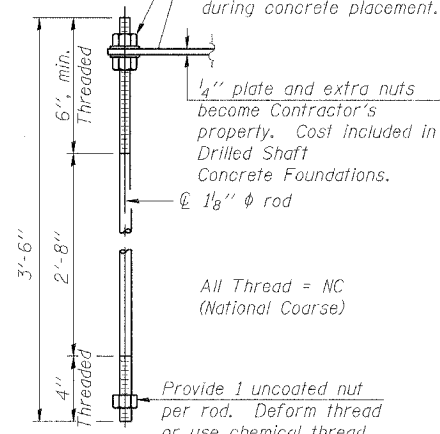
All Thread = NC (National Coarse)



POSITIONING PLATE(S)

Optionally may use four (4) separate bars. Weld to maintain perpendicularity.

At each location, provide 1/4" thick positioning plate(s) and six (6) additional nuts to be used with leveling nuts to maintain anchor bolts position during concrete placement.



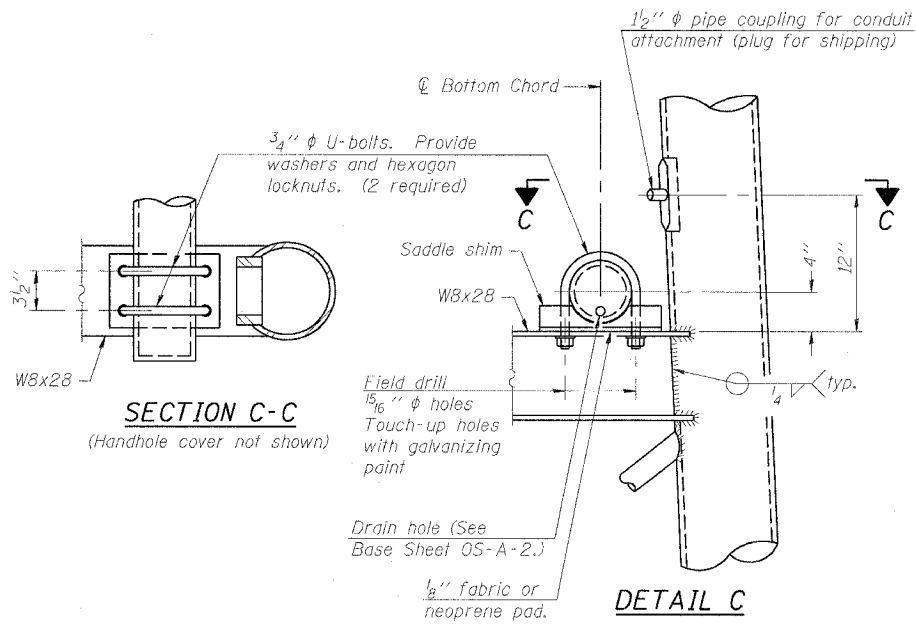
ANCHOR ROD DETAIL
Drilled Shaft Foundation

Anchor rods shall conform to AASHTO M314 Grade 36 or 55 and meet Charpy V-Notch (CVN) energy of 15 lb.-ft. at 40° F. Galvanize upper 12" per AASHTO M232. No welding shall be permitted on rods.

NUMBER	REVISION	DATE

DESIGNED - JSS	20
CHECKED - RDP	EXAMINED
DRAWN - JSS	PASSED
CHECKED - RDP	ENGINEER OF BRIDGES AND STRUCTURES

OS-A-4A 1-7-05



SECTION C-C

DETAIL C

TYPE I-A TRUSS
8" φ PIPE SUPPORT FRAME DETAILS

SGN-17

OVERHEAD SIGN STRUCTURES
SUPPORT FRAME DETAILS ALUMINUM TRUSS

F.A.I. 90/94 (DAN RYAN EXPRESSWAY)
GARFIELD BLVD TO 31ST STREET (NB LOCAL LANES)
PROPOSED IMPROVEMENT
GARFIELD BLVD TO 31ST STREET

6/7/2006 11:29:34 AM F:\P4046\CH\NB-Ctrrs 18 & 19\SIGN\CH\18\Sign\SSB01724.dgn