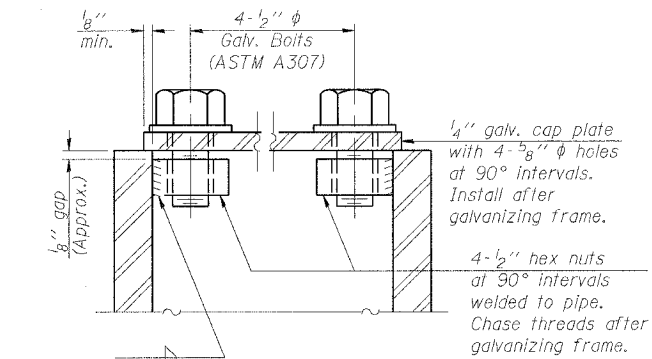
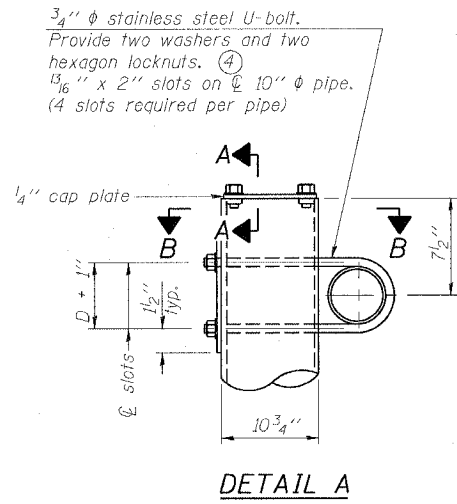
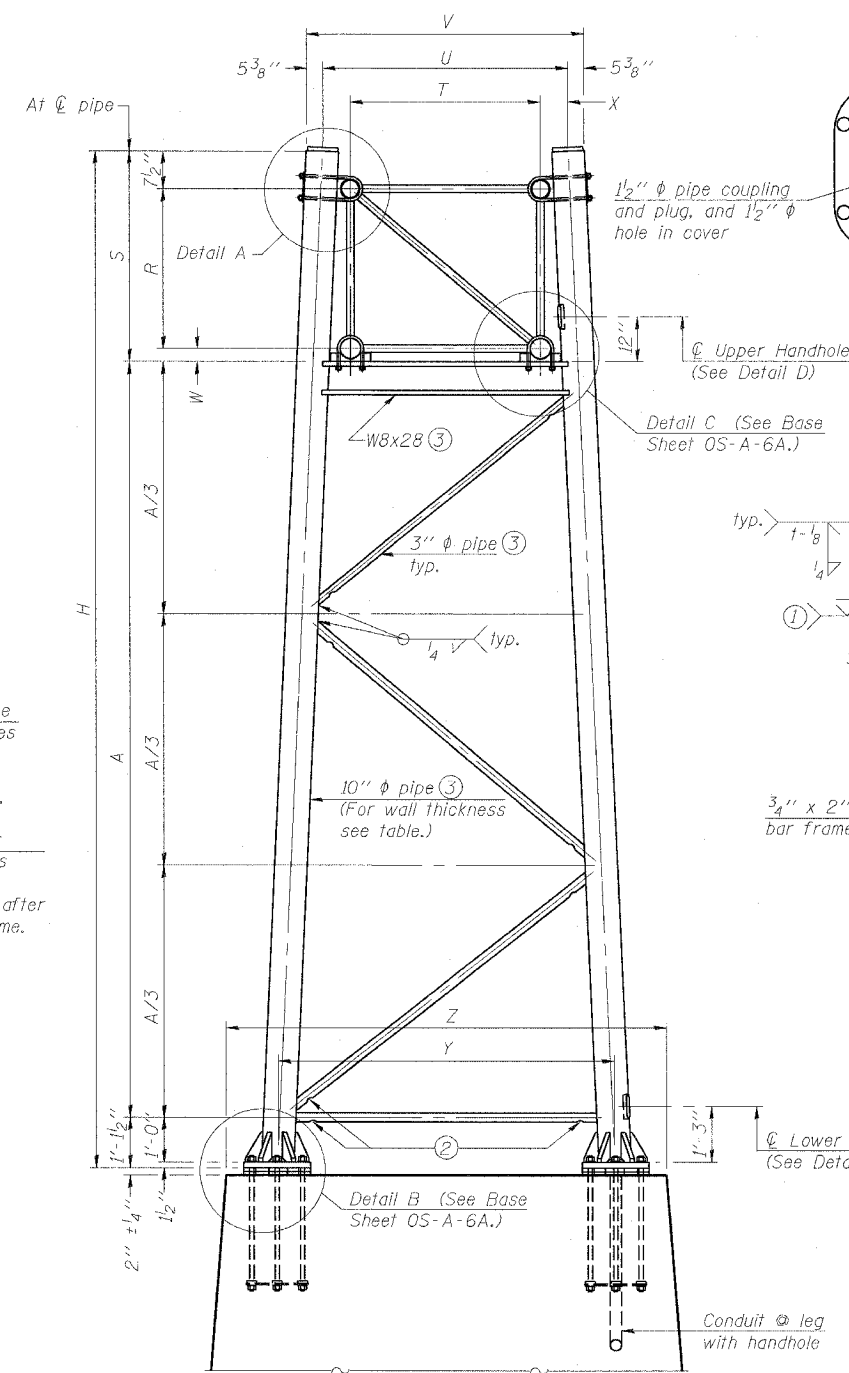
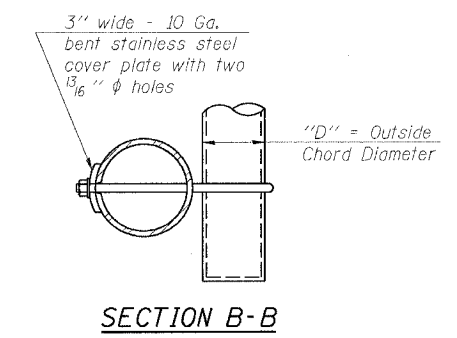


STATE OF ILLINOIS  
DEPARTMENT OF TRANSPORTATION

ROUTE NO.	SECTION	COUNTY	TOTAL SHEETS	SHEET NO.
F.A.I. RTE. 90/94		COOK	565	260
FED. ROAD DIST. NO. 1	ILLINOIS	FED. AID PROJECT-		
• (1818, ETC. 2324, 6-1P) R-10			62301	



As an alternate to bolts, may use galvanized drive-fit caps installed after galvanizing frame.



For Foundation Details, see base sheet OS-F3 (Spread Footing) or OS4-F3 (Drilled Shaft).

SIDE ELEVATION

10"  $\phi$  PIPE TRUSS SUPPORT FRAME

Truss Type	Dimensions									
	R	S	T	U	V	W	X	Y	Z	
I-A	4'-6"	5'-5 1/2"	4'-0"	5'-6"	6'-4 3/4"	4"	9"	8'-3"	11'-3"	
II-A (5)	5'-3"	6'-3 1/4"	4'-6"	6'-1"	6'-11 3/4"	4 3/4"	9 1/2"	8'-3"	11'-3"	

Support Design Loads: See Base Sheet OS-A-1 for design and loading criteria.  
Load combinations checked include deadload plus:  
a) 100% wind normal to sign, 20% parallel to sign  
b) 60% wind normal to sign, 30% parallel to sign

- In lieu of fabricated handhole frame as shown, may cut from 2" plate (rolling direction vertical). All cut faces to be ground to ANSI Roughness of 500  $\mu$ in or less.
- Galvanizing vent holes of adequate size shall be provided on underside at each end of bracing pipes. Alternately, holes may be provided in wall of pipe column. All vent holes shall be drilled and de-burred, typ.
- Steel pipe, plate, carbon steel handhole covers and rolled sections shall be hot dip galvanized after fabrication. Painting is not permitted. See Base Sheet OS-A-1.
- See General Notes for fasteners.
- Dimensions shown are based on selection criteria in the Sign Structures Manual. Nonstandard applications must have dimensions verified or amended as appropriate.

Structure Number	Station	Support		Truss Type	Pipe Wall Thickness	H	A
		Left	Right				
ISO161094L056.9	4518+40.00	X		II-A	0.365 (Std)	23.15'	15.76'
ISO161094L056.9	4518+40.00		X	II-A	0.365 (Std)	22.12'	14.73'
ISO161094L056.60	4535+80.00	X		I-A	0.279	26'-10 1/16"	20'-3 11/16"
ISO161094L056.60	4535+80.00		X	I-A	0.279	25'-5 3/16"	18'-10 3/16"

DESIGNED - JSS	20
CHECKED - RDP	EXAMINED
DRAWN - JSS	PASSED
CHECKED - RDP	ENGINEER OF STRUCTURAL SERVICES
	ENGINEER OF BRIDGES AND STRUCTURES

OS-A-6 1-7-05

NUMBER	REVISION	DATE

OVERHEAD SIGN STRUCTURES  
SUPPORT FRAME for ALUMINUM TRUSS

F.A.I. 90/94 (DAN RYAN EXPRESSWAY)  
GARFIELD BLVD TO 31ST STREET (NB LOCAL LANES)  
PROPOSED IMPROVEMENT  
GARFIELD BLVD TO 31ST STREET

FVP-468-CH/UB-Ctr's 18 & 19/S/18/Contr 18/5/18/AM 11/23/05 AM 6/7/2006