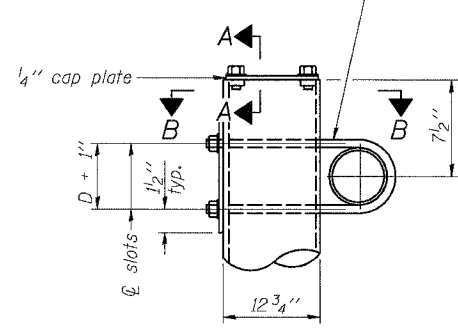


STATE OF ILLINOIS
DEPARTMENT OF TRANSPORTATION

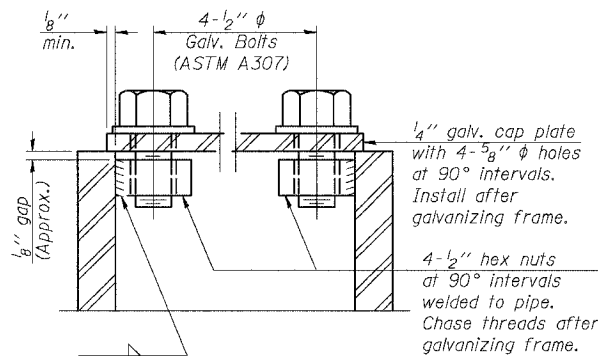
ROUTE NO.	SECTION	COUNTY	TOTAL SHEETS	SHEET NO.
94/90	*	COOK	565	262
FED. ROAD DIST. NO. 1		ILLINOIS	FED. AID PROJECT-	

* 62301 (2021-922 PT2 ETC 2324.6-1P) R-10

$\frac{3}{4}$ " ϕ stainless steel U-bolt.
Provide two washers and two hexagon locknuts. (4)
 $\frac{13}{16}$ " x 2" slots on ϕ 12" ϕ pipe.
(4 slots required per pipe)

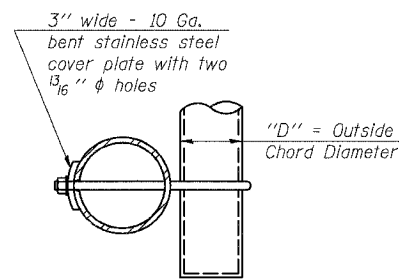


DETAIL A

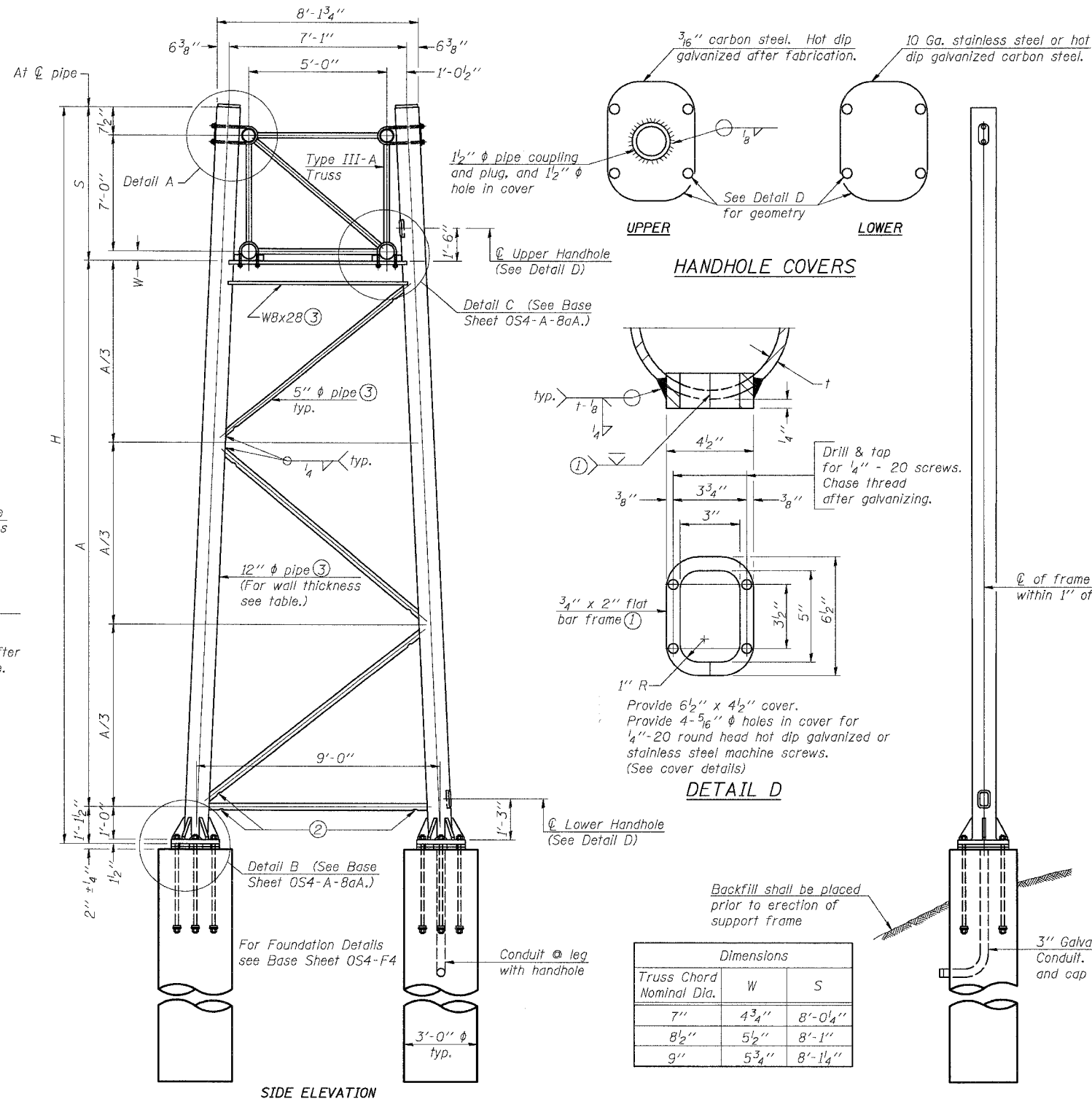


SECTION A-A

As an alternate to bolts, may use galvanized drive-fit caps installed after galvanizing frame.



SECTION B-B



SIDE ELEVATION

END ELEVATION

Dimensions		
Truss Chord Nominal Dia.	W	S
7"	4 3/4"	8'-0 1/4"
8 1/2"	5 1/2"	8'-1"
9"	5 3/4"	8'-1 1/4"

TRUSS SUPPORT DETAILS
(12" ϕ Pipe-Type III-A Truss)

Support Design Loads: See Base Sheet OS-A-1 for design and loading criteria.
Load combinations checked include deadload plus:
a* 100% wind normal to sign, 20% parallel to sign
b* 60% wind normal to sign, 30% parallel to sign

- In lieu of fabricated handhole frame as shown, may cut from 2" plate *rolling direction vertical*. All cut faces to be ground to ANSI Roughness of 500 Min or less.
- Galvanizing vent holes of adequate size shall be provided on underside at each end of bracing pipes. Alternately, holes may be provided in wall of pipe column. All vent holes shall be drilled and de-burred, typ.
- Steel pipe, plate, carbon steel handhole covers and rolled sections shall be hot dip galvanized after fabrication. Painting is not permitted. See Base Sheet OS-A-1.
- See General Notes for Fasteners.
- Dimensions shown are based on selection criteria in the Sign Structures Manual. Nonstandard applications must have dimensions verified or amended as appropriate.

FOR LEFT SUPPORT DETAILS, SEE CONTRACT 62300

Structure Number	Station	Support		Pipe Wall Thickness	H	A
		Left	Right			
ISO161094L055.41	4599+00	X		0.33	24'-5 1/16"	15'-3 1/4"
			X	0.33	23'-7 1/16"	14'-5 1/8"

DESIGNED	MSA	20
CHECKED	AS/AC	EXAMINED
DRAWN	RV	PASSED
CHECKED	MSA	ENGINEER OF BRIDGES AND STRUCTURES
		OS4-A-8a

NUMBER	REVISION	DATE

SGN-20
OVERHEAD SIGN STRUCTURES
SUPPORT FRAME for TYPE III-A ALUMINUM TRUSS
ILLINOIS DEPARTMENT OF TRANSPORTATION
F.A.I. 94/90 (DAN RYAN EXPRESSWAY)
GARFIELD BLVD TO 31ST STREET (NB LOCAL LANES)
OVERHEAD SIGN STRUCTURES
(SPAN)