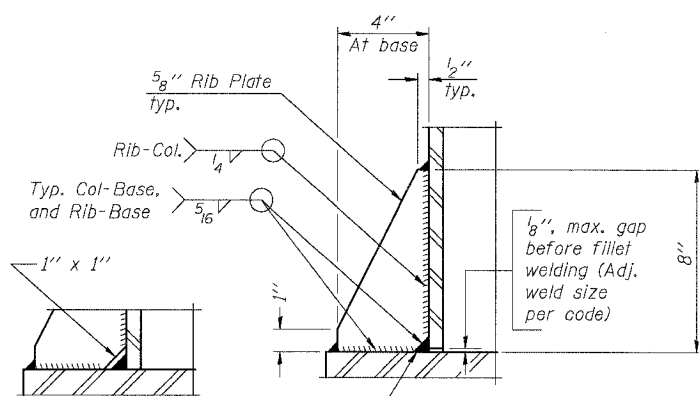
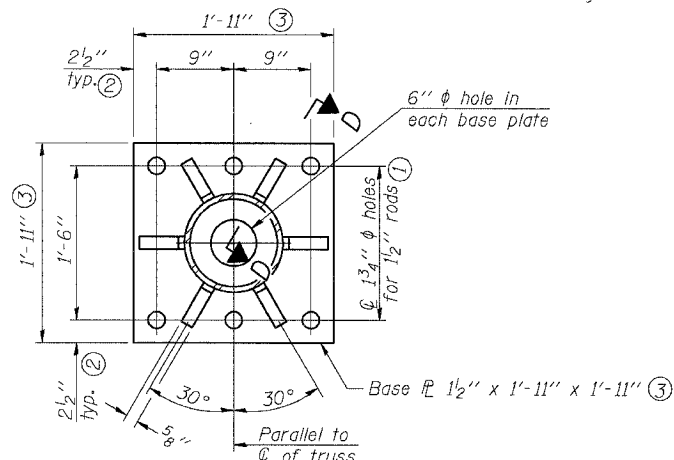
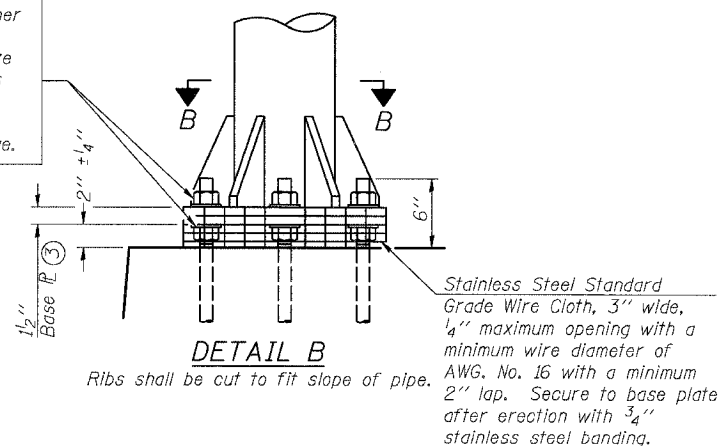


ROUTE NO.	COUNTY	TOTAL SHEETS	SHEET NO.
94/90	COOK	565	263
FED. ROAD DIST. NO. 1	ILLINOIS	FED. AID PROJECT	
* 62301 (2021-922 PT2 ETC 2324.6-1P) R-10			

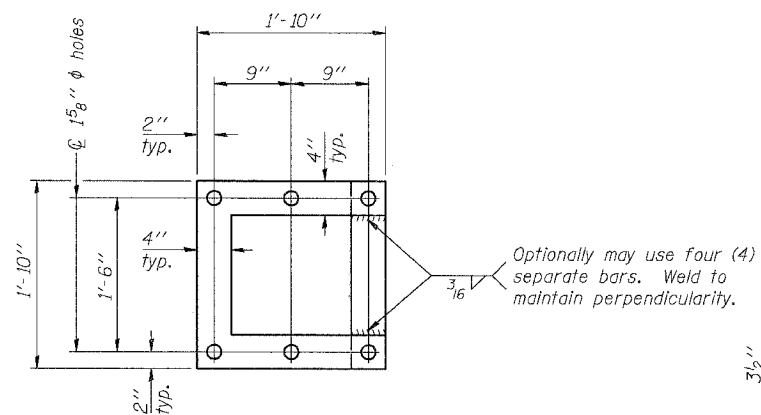
Hexagon locknut and washer (top), leveling nut and washer (bottom). Galvanize per AASHTO M232. Nuts shall each be tightened against base plate with 200 lb.-ft. minimum torque.



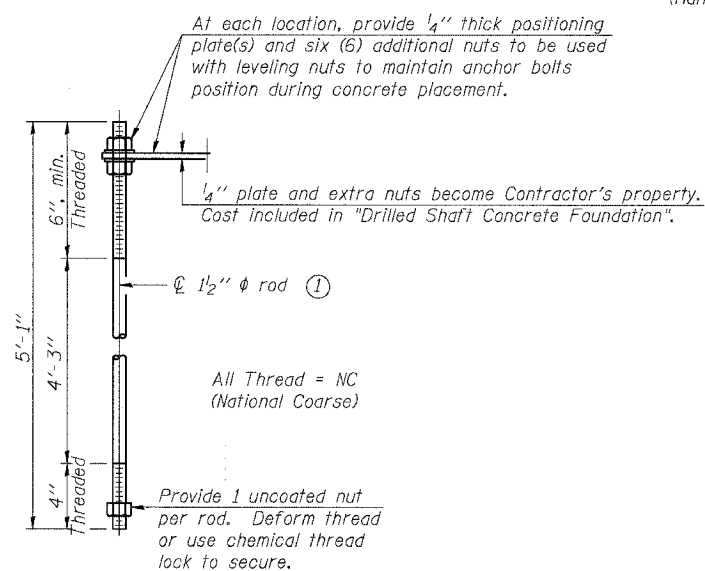
** Alternate detail if welding col. to base plate first, then snip inside corner of ribs. Terminate weld on rib 1/4" from snip.

SECTION D-D

NUMBER	REVISION	DATE



POSITIONING PLATE(S)



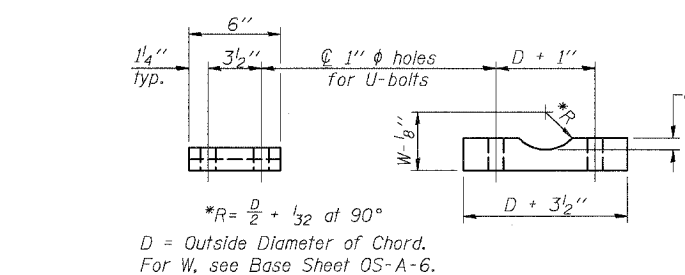
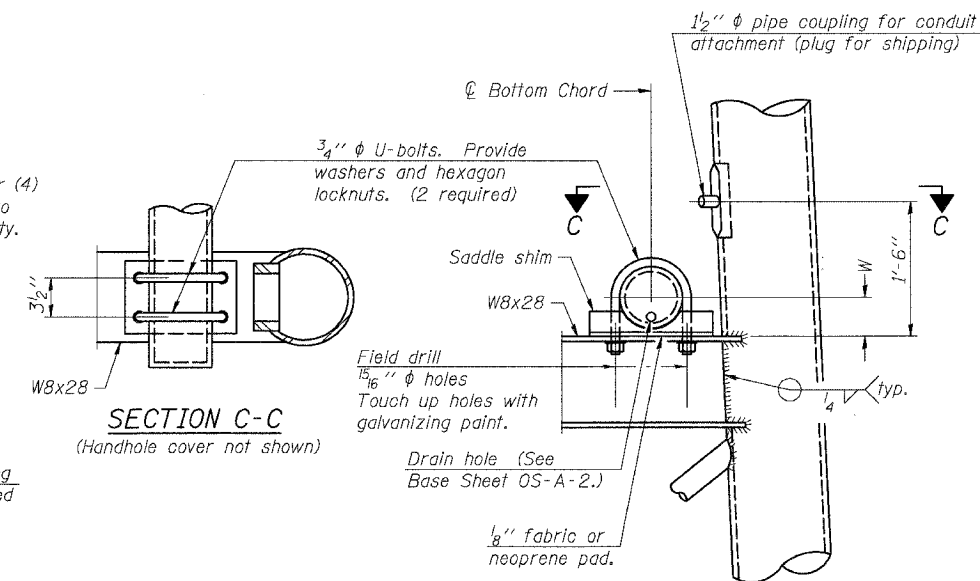
ANCHOR ROD DETAIL

Anchor rods shall conform to AASHTO M314 Grade 36 or 55 and meet Charpy V-Notch (CVN) energy of 15 lb.-ft. at 40° F. Galvanize upper 12" per AASHTO M232. No welding shall be permitted on rods.

**TYPE III-A TRUSS
12" ϕ PIPE SUPPORT FRAME DETAILS**

Notes:
For Type III-A Truss spans greater than 150 ft. and up to 160 ft.:

- ① 1" * * rod, 2" * holes
- ② 2" * edge distance
- ③ Base * 1" * x 1'-11" * x 1'-11" *



Truss Chord Nominal Dia.	a
7"	1"
8 1/2"	1 1/4"
9"	1 3/8"

SADDLE SHIM DETAIL
ASTM B26 Alloy 356-F
or
ASTM B209 Alloy 6061-T651
(4 required per sign truss)

OVERHEAD SIGN STRUCTURES
SUPPORT FRAME DETAILS ALUMINUM TRUSS

ILLINOIS DEPARTMENT OF TRANSPORTATION
F.A.I. 94/90 (DAN RYAN EXPRESSWAY)
GARFIELD BLVD TO 31ST STREET (NB LOCAL LANES)
OVERHEAD SIGN STRUCTURES
(SPAN)