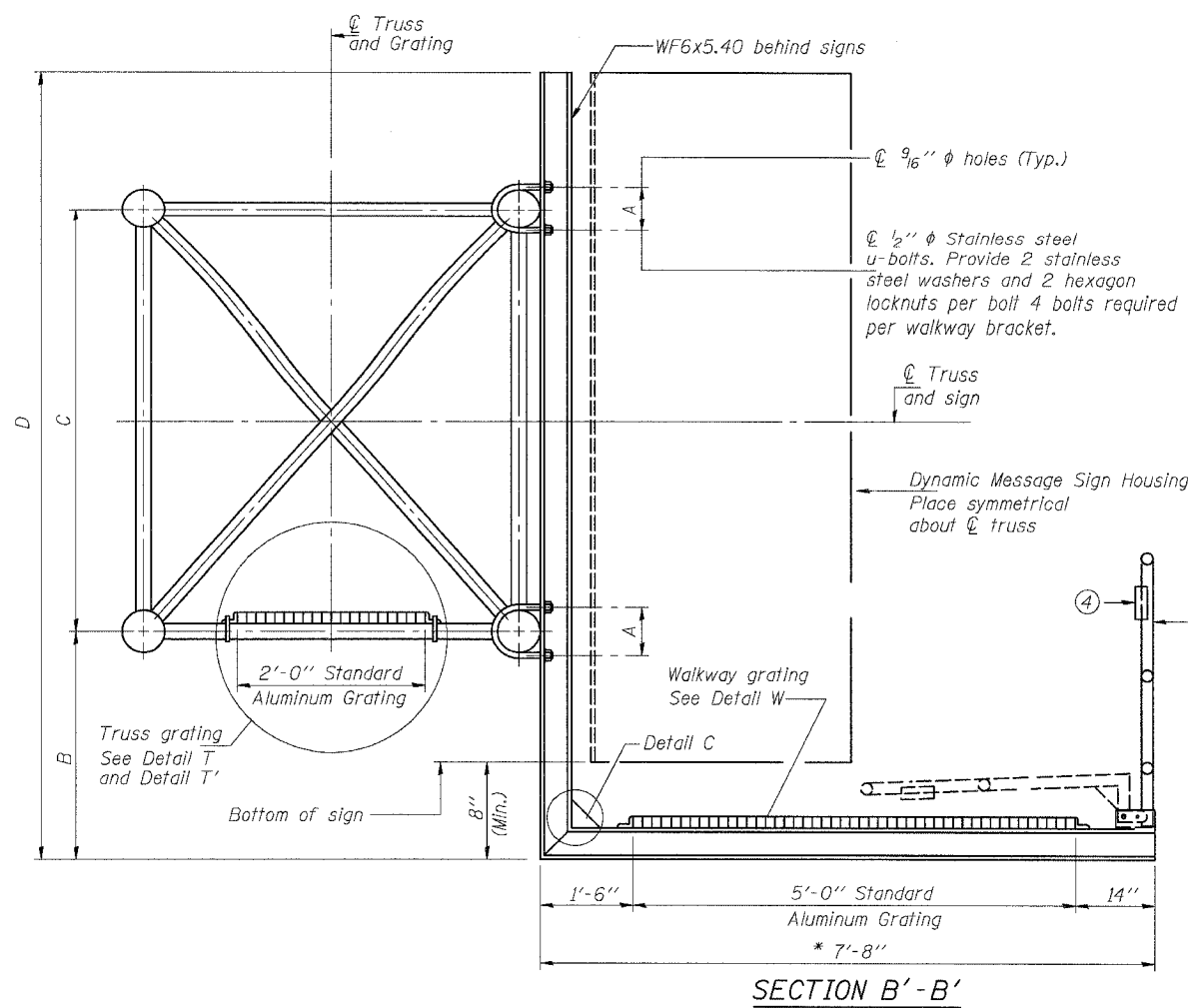


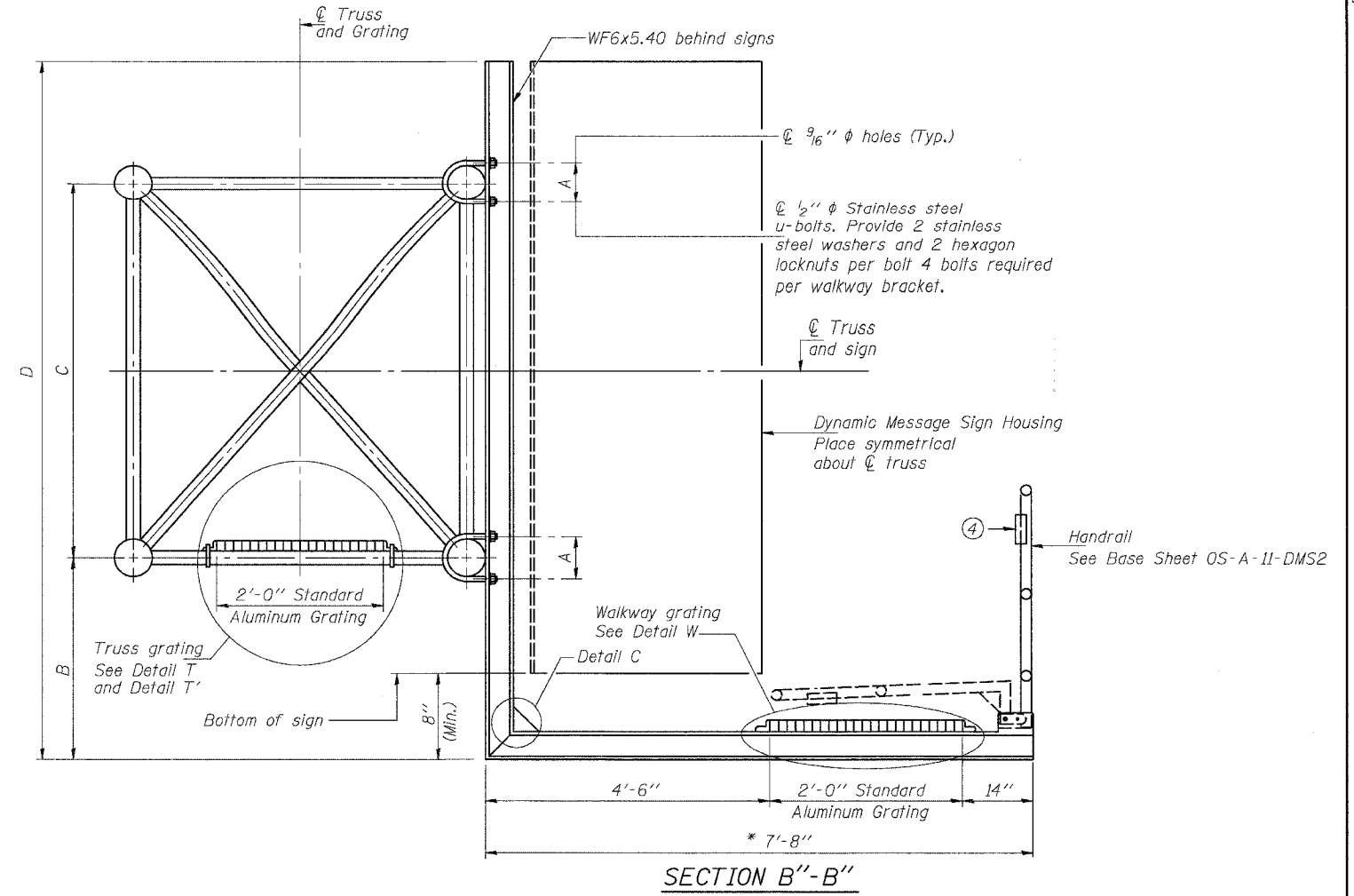
STATE OF ILLINOIS
DEPARTMENT OF TRANSPORTATION

ROUTE NO.		COUNTY	TOTAL SHEETS	SHEET NO.
94/90	*	COOK	565	269
FED. ROAD DIST. NO. 1		ILLINOIS	FED. AID PROJECT-	

* 62301 (2021-922 PT2 ETC 2324.6-1P) R-10



SECTION B'-B'



SECTION B''-B''

* Bracket and grating dimensions are nominal and will vary based on actual DMS cabinet dimensions plus manufacturer's mounting devices, and providing clearance between the lowered handrail and DMS cabinet.

Note:
For dimensions "A" to "D" and remaining details, see sheet OS-A-10-DMS2

DESIGNED - JSS	20
CHECKED - MJP	EXAMINED
DRAWN - JSS	PASSED
CHECKED - MJP	ENGINEER OF BRIDGES AND STRUCTURES

OS-A-10a-DMS2 7/1/2001

NUMBER	REVISION	DATE

OVERHEAD SIGN STRUCTURES
ALTERNATE ALUMINUM WALKWAY DETAILS

ILLINOIS DEPARTMENT OF TRANSPORTATION
F.A.I. 94/90 (DAN RYAN EXPRESSWAY)
GARFIELD BLVD TO 31ST STREET (NB LOCAL LANES)

OVERHEAD SIGN STRUCTURES
(SPAN)

SGN-27

6/7/2006 1:50:52 PM In:\660\road\civil\118\shp\sgn\sgn10202a.dwg