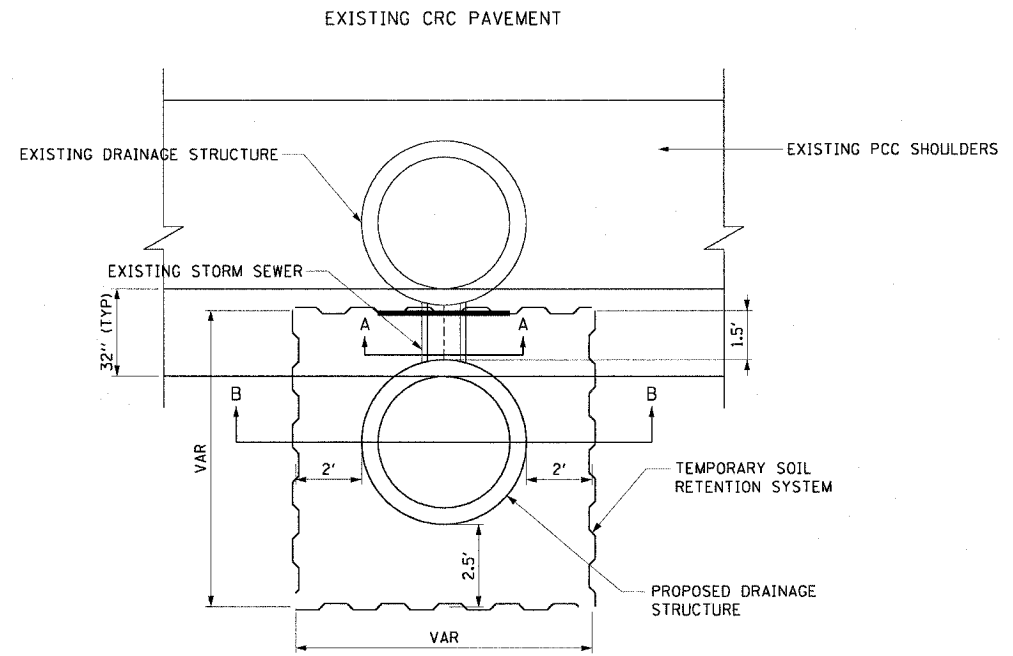


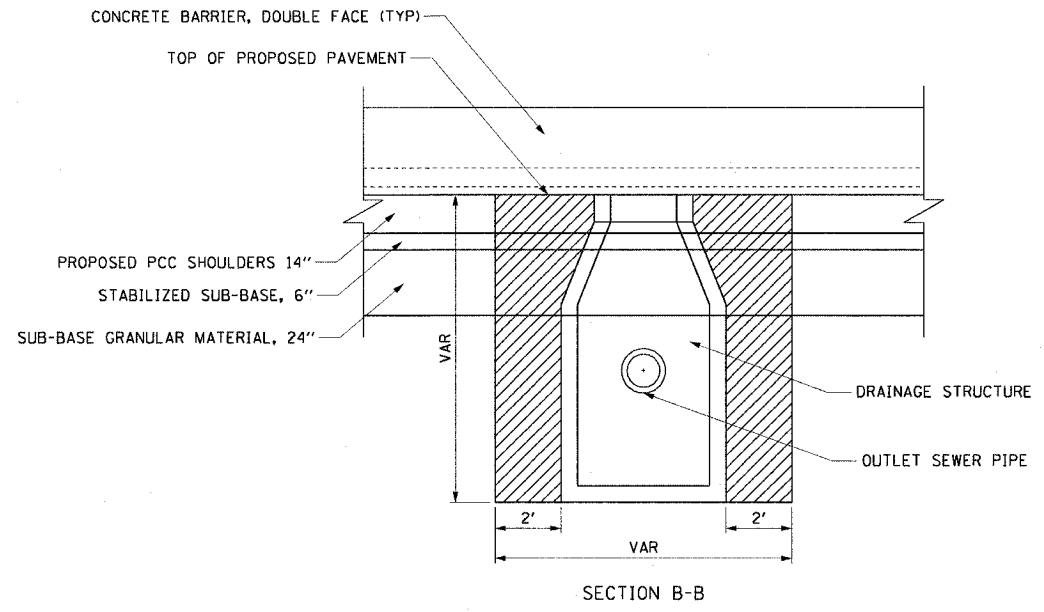
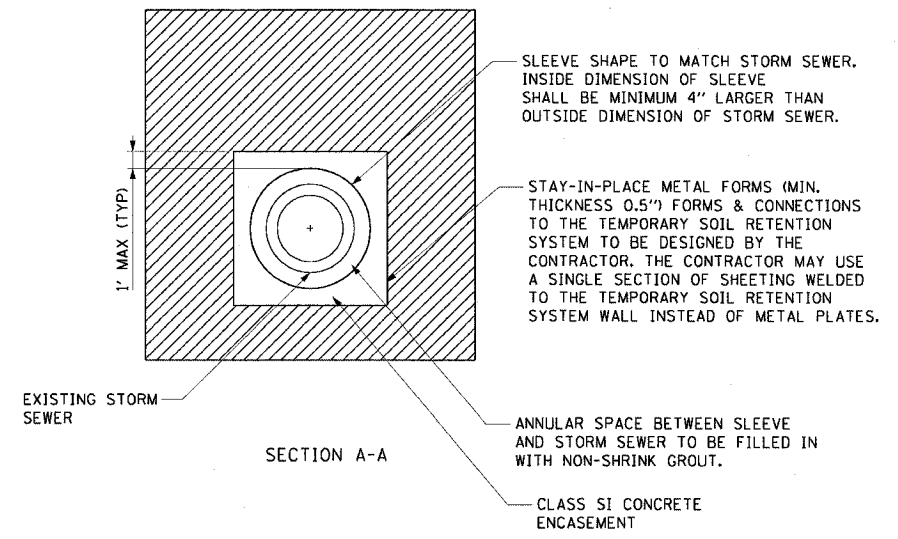
F.A.I. RTE.	SECTION	COUNTY	TOTAL SHEETS	SHEET NO.
90/94		COOK	565	356
STA.	TO STA.			
FED. ROAD DIST. NO. 1 ILLINOIS FED. AID PROJECT				
62301 • (2021-922 PT2 ETC 2324.6-1P) R-10				



PLAN VIEW

NOTES  
 1. STORM SEWER PENETRATIONS THROUGH THE TEMPORARY SOIL RETENTION SYSTEM WILL NOT BE PAID FOR SEPARATELY, BUT WILL BE INCLUDED IN THE COST FOR THE TEMPORARY SOIL RETENTION SYSTEM.

LEGEND  
 TEMPORARY SOIL RETENTION SYSTEM



SECTION B-B

CTE | AECOM

REVISIONS	
NAME	DATE

ILLINOIS DEPARTMENT OF TRANSPORTATION  
 F.A.I. 90/94 (DAN RYAN EXPRESSWAY)  
 GARFIELD BLVD TO 31ST STREET (NB LOCAL LANES)  
**DRAINAGE DETAILS**  
**TEMPORARY SOIL RETENTION SYSTEM**  
 SCALE: NONE  
 DATE: June 9, 2006  
 DRAWN BY: RMG  
 CHECKED BY: XXX

DDT-2

6/7/2006 1:47:25 PM I:\proj\90\94\18\18-19\stpcntr\18vroadway\_details\1800220.dwg