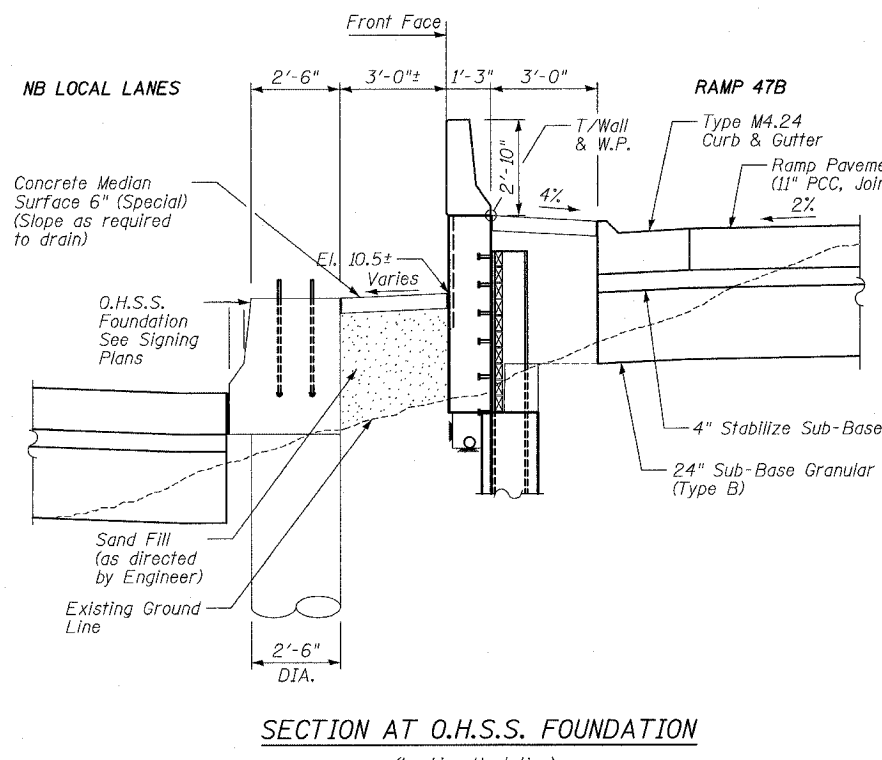


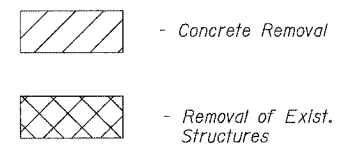
F.A.I.	SECTION	COUNTY	TOTAL SHEETS	SHEET NO.
94/90	*	COOK	565	384
STA.	TO STA.			
FED. ROAD DIST. NO.	ILLINOIS FED. AID PROJECT			
62301	*(2021-922 PT2 ETC 2324.6-1P) R-10			



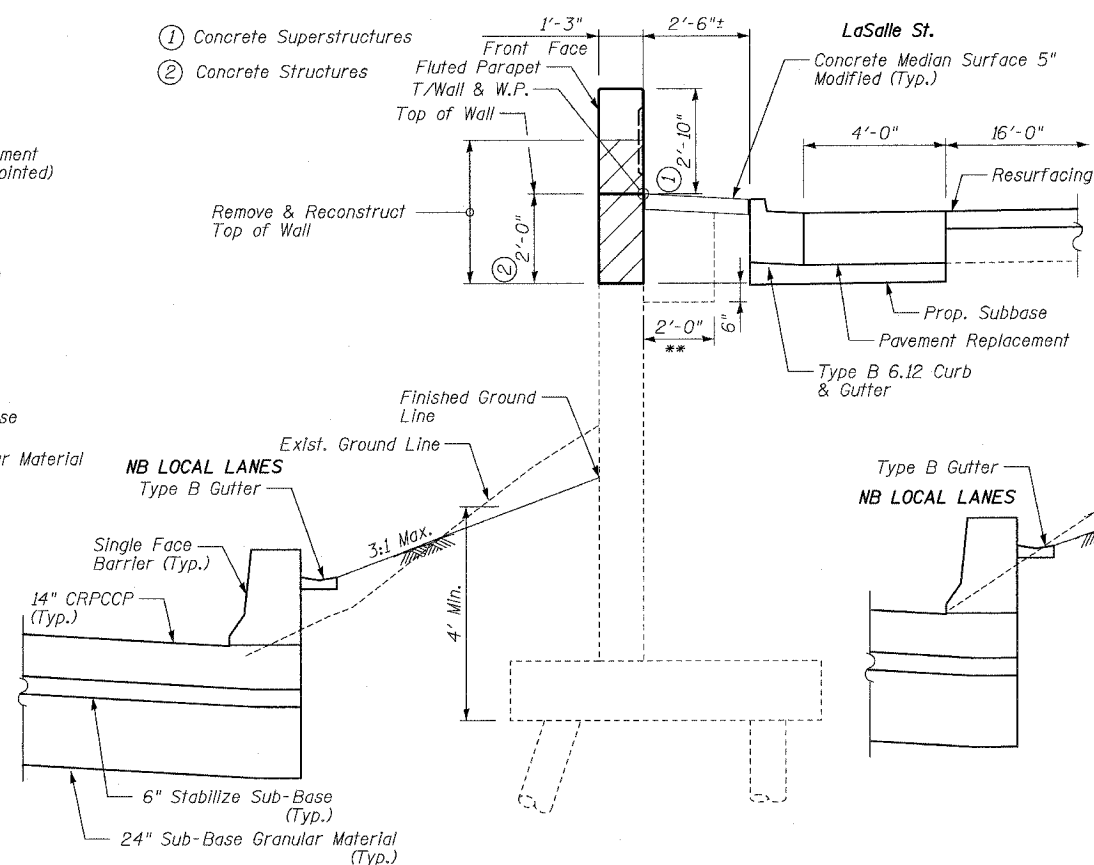
SECTION AT O.H.S.S. FOUNDATION
(Looking Upstation)

- Notes:
- Dimensions not indicated are typical to all sections.
 - See Roadway Plans as required.
 - Adjust Type B Gutter and slope of finished grade as required to drain and meet elevations shown on Sheets 1 and 2.
 - For excavations and/or embankments outside limits indicated see Roadway Plans and schedules.
 - Structure Excavation limits in areas of removal of existing wall will be measured from bottom of removal limits to bottom of facing.
 - Provide Porous Granular Embankment (Special) behind lagging (2'-0" min.) from existing or excavated ground line to bottom of Concrete Median Surface 5" (Modified).

LEGEND

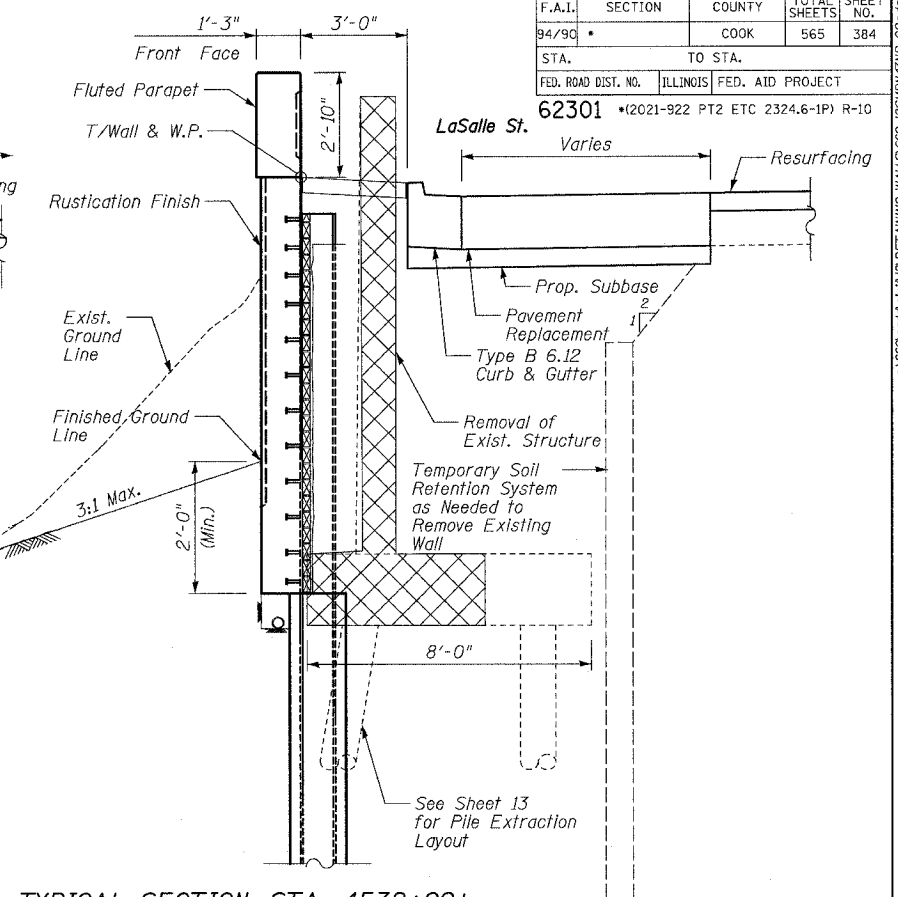


- Concrete Superstructures
- Concrete Structures

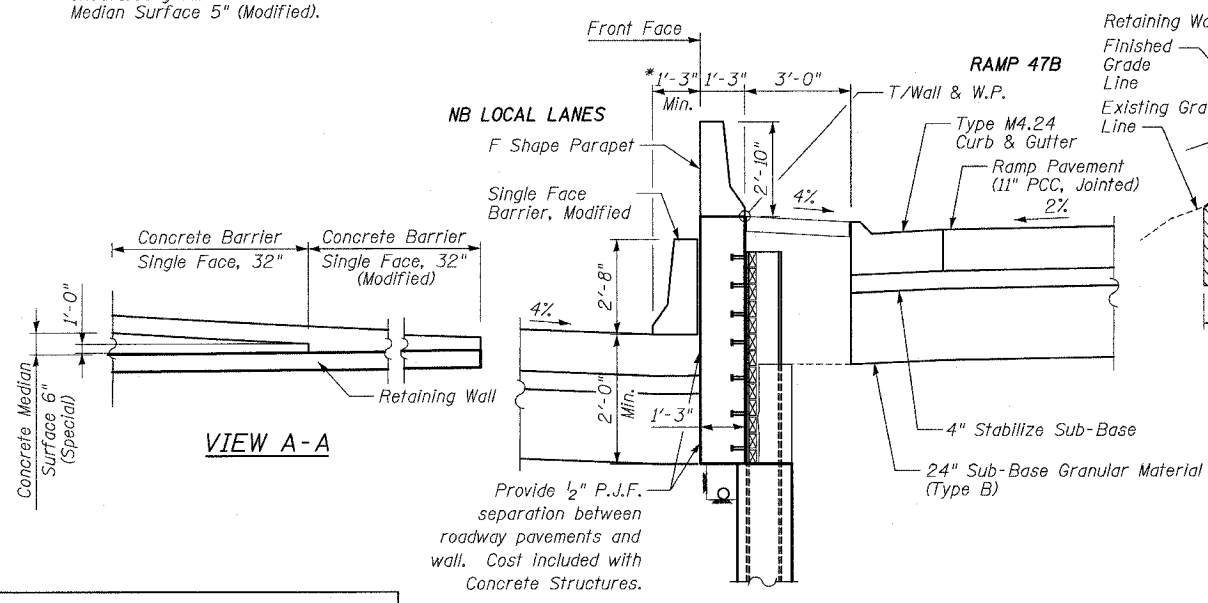


TYPICAL SECTION, STA 4530+50±
(Looking Upstation)

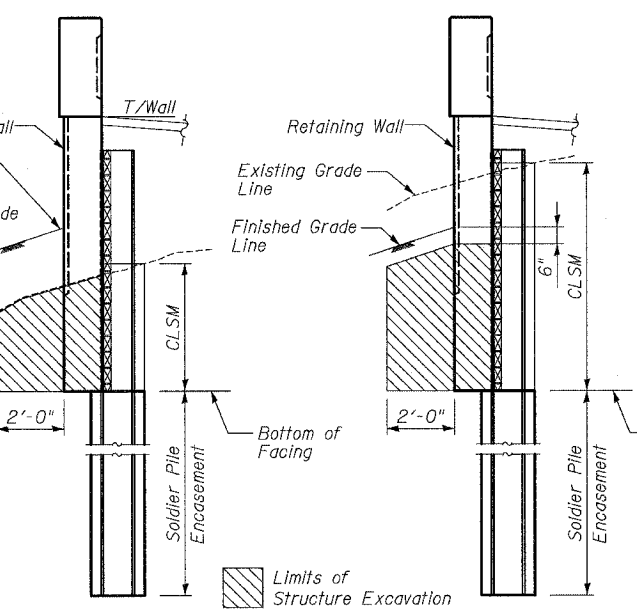
** Limits of Structure Excavation



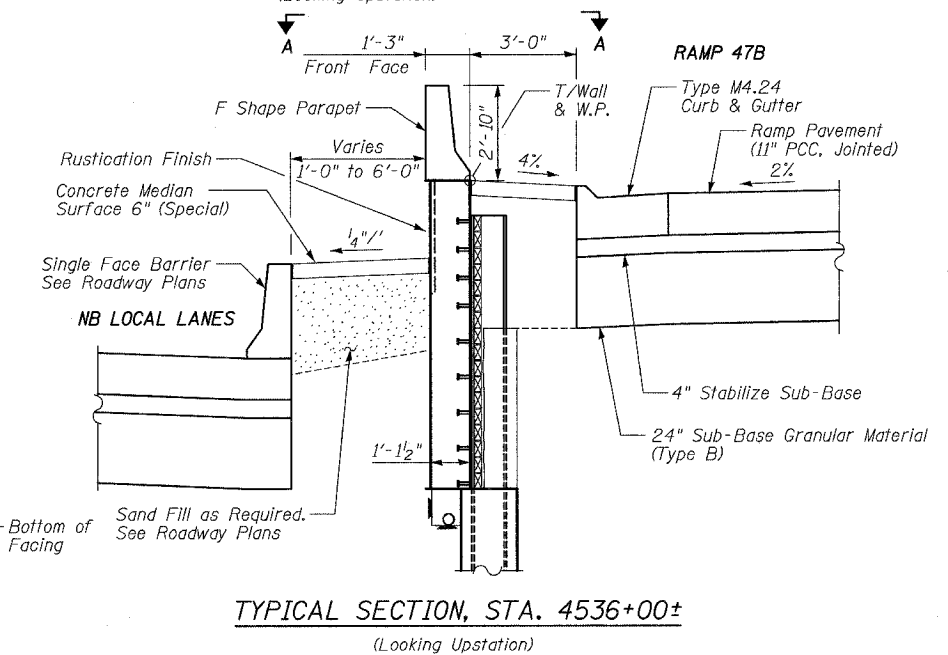
TYPICAL SECTION, STA. 4532+00±
(Looking Upstation)



TYPICAL SECTION, STA. 4537+50±
(Looking Upstation)
* Varies 2'-3" to 1'-3"



LIMITS OF STRUCTURE EXCAVATION
FINISHED GRADE ABOVE EXIST.
FINISHED GRADE BELOW EXIST.



TYPICAL SECTION, STA. 4536+00±
(Looking Upstation)

REVISIONS	
NAME	DATE
REVISOR	06/23/06
REVISOR	07/13/06

ILLINOIS DEPARTMENT OF TRANSPORTATION
 F.A.I. 94/90 (DAN RYAN EXPRESSWAY)
 GARFIELD BLVD TO 31ST STREET (NB LOCAL LANES)
 COOK COUNTY
 STA. 4529+75.90 TO STA. 4537+30.74
 RETAINING WALL N-47N-R
 TYPICAL SECTIONS
 S.N. 016-W977
 SCALE: NTS
 DATE: JUNE 9, 2006
 DRAWN BY: KMW
 CHECKED BY: BLU

BOWMAN, BARRETT & ASSOCIATES INC.
 CONSULTING ENGINEERS
 Chicago, Illinois
 312.228.0100
 www.bbainc.com

6/20/2006 7/13/2006