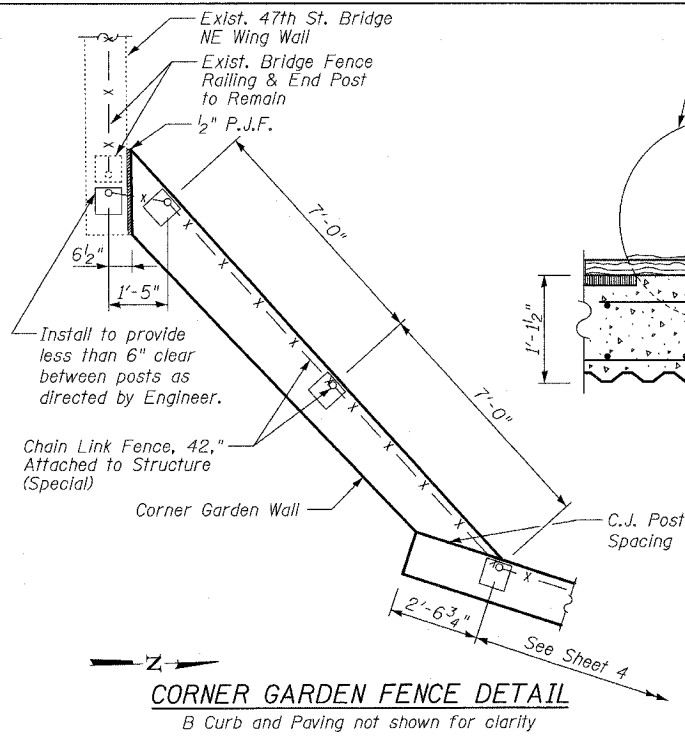
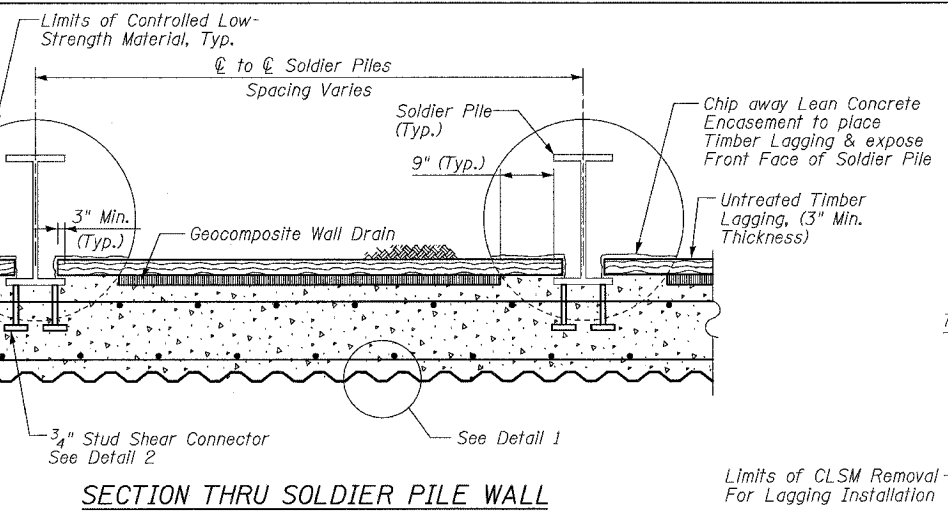


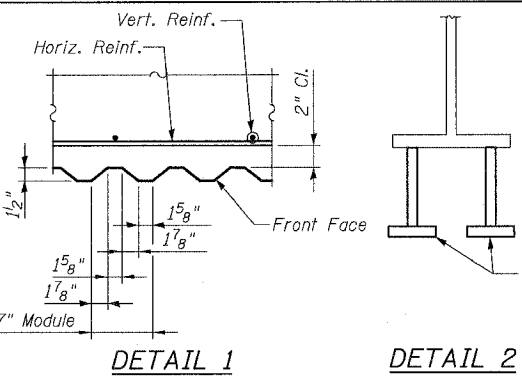
F.A.I.	SECTION	COUNTY	TOTAL SHEETS	SHEET NO.
94/90	*	COOK	565	386
STA.		TO STA.		
FED. ROAD DIST. NO.		ILLINOIS FED. AID PROJECT		
62301		*I2021-922 PT2 ETC 2324.6-1P) R-10		



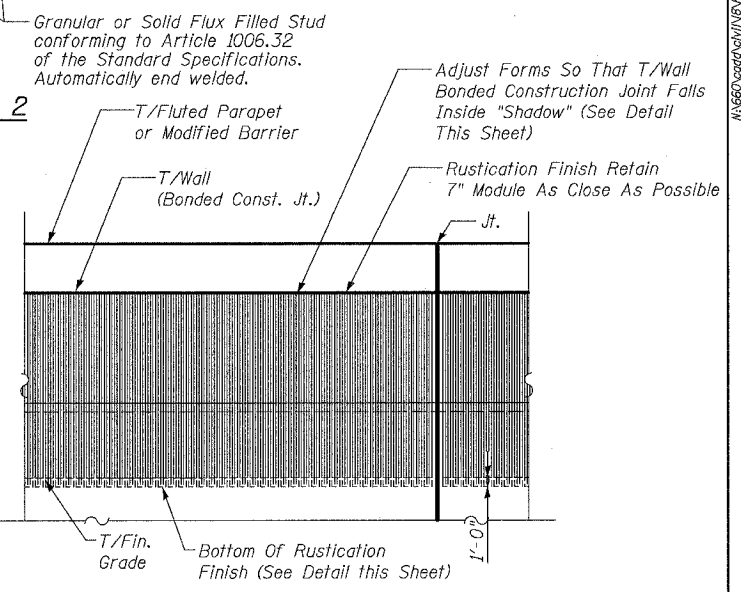
CORNER GARDEN FENCE DETAIL
B Curb and Paving not shown for clarity



SECTION THRU SOLDIER PILE WALL

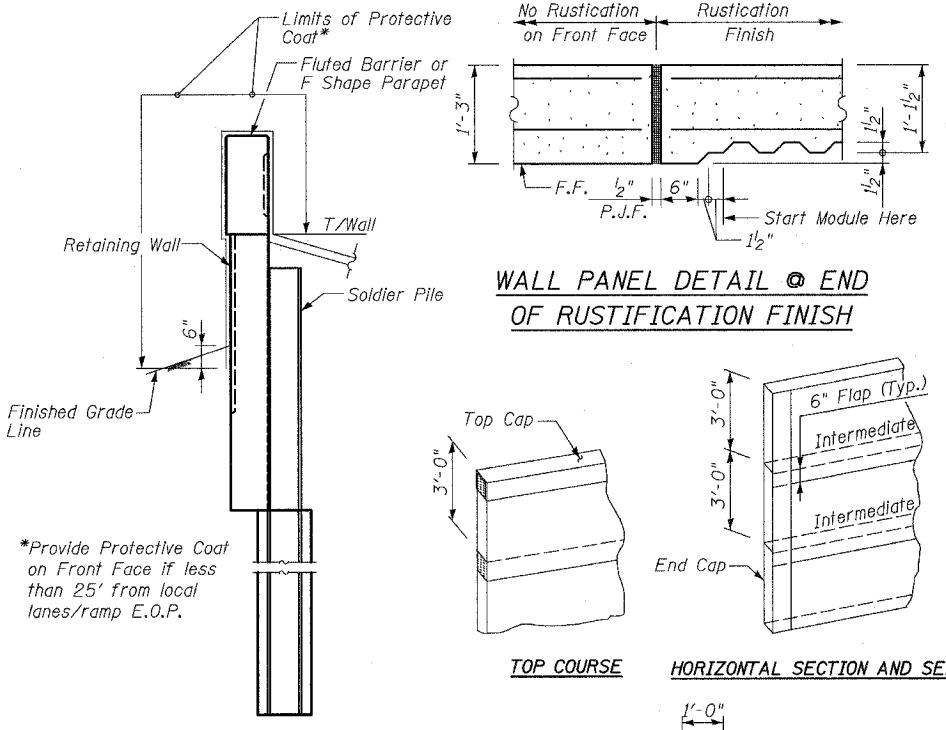


DETAIL 1 **DETAIL 2**

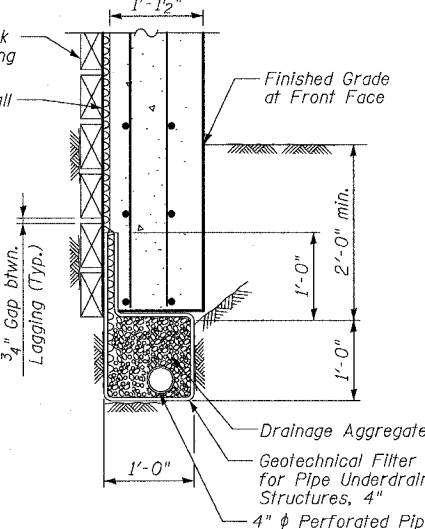


FRONT FACE ELEVATION OF RETAINING WALL

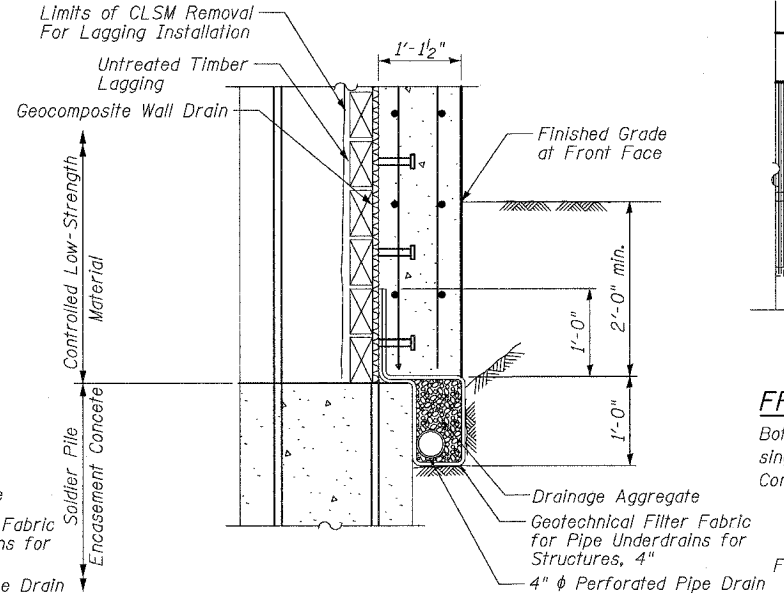
Bottom of Rustication Finish 4" above T/Barrier at locations where single face barrier is in contact with front face of wall. Where Concrete Median Surface 6" (Special) is present treat as finished grade.



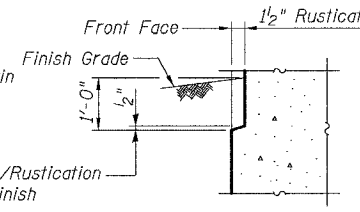
WALL PANEL DETAIL @ END OF RUSTICATION FINISH



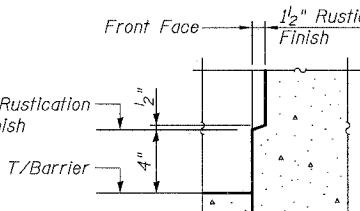
PIPE UNDERDRAIN DETAIL BETWEEN SOLDIER PILES



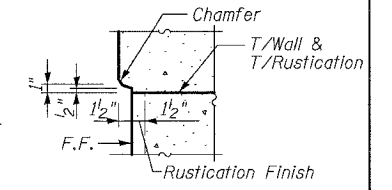
PIPE UNDERDRAIN DETAIL AT SOLDIER PILES



AT FINISH GRADE

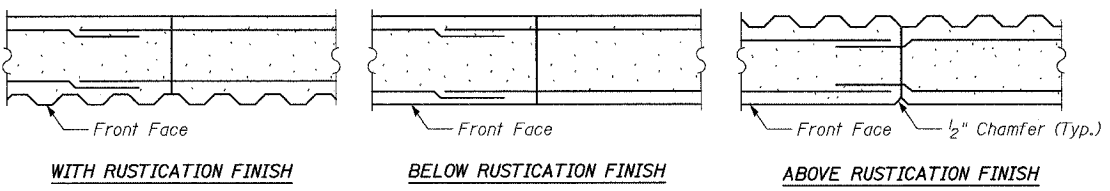


AT TOP OF BARRIER

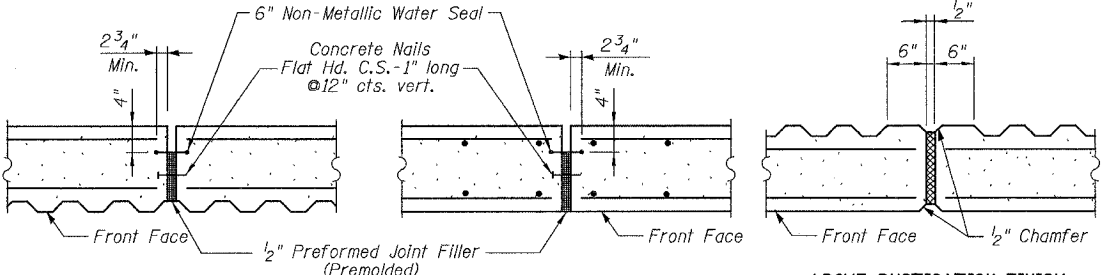


TOP OF RUSTICATION FINISH

BOTTOM OF RUSTICATION FINISH

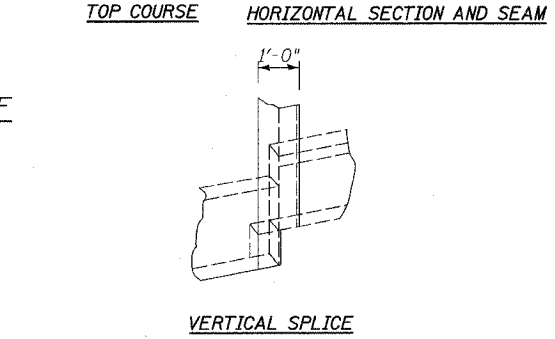


CONSTRUCTION JOINT DETAILS



EXPANSION JOINT DETAILS

Cost of P.J.F., Water Seal and Concrete Nails included with Concrete Structures.



GEOCOMPOSITE WALL DRAIN DETAILS

VERTICAL SPLICE

TOP COURSE

HORIZONTAL SECTION AND SEAM

DETAIL OF LIMITS OF PROTECTIVE COAT

BOWMAN, BARRETT & ASSOCIATES INC.
CONSULTING ENGINEERS
Chicago, Illinois
312.228.0100
www.bbainc.com

REVISIONS	
NAME	DATE
REVISED	06/21/06
REVISED	07/13/06

ILLINOIS DEPARTMENT OF TRANSPORTATION
F.A.I. 94/90 (DAN RYAN EXPRESSWAY)
GARFIELD BLVD TO 31ST STREET (NB LOCAL LANES)
COOK COUNTY
STA. 4529+75.90 TO STA. 4537+30.74
RETAINING WALL N-47N-R
MISCELLANEOUS DETAILS 1
S.N. 016-W977
SCALE: NTS
DATE: JUNE 9, 2006
DRAWN BY: MTR
CHECKED BY: BLU

7/15/2006 5:56:00 PM