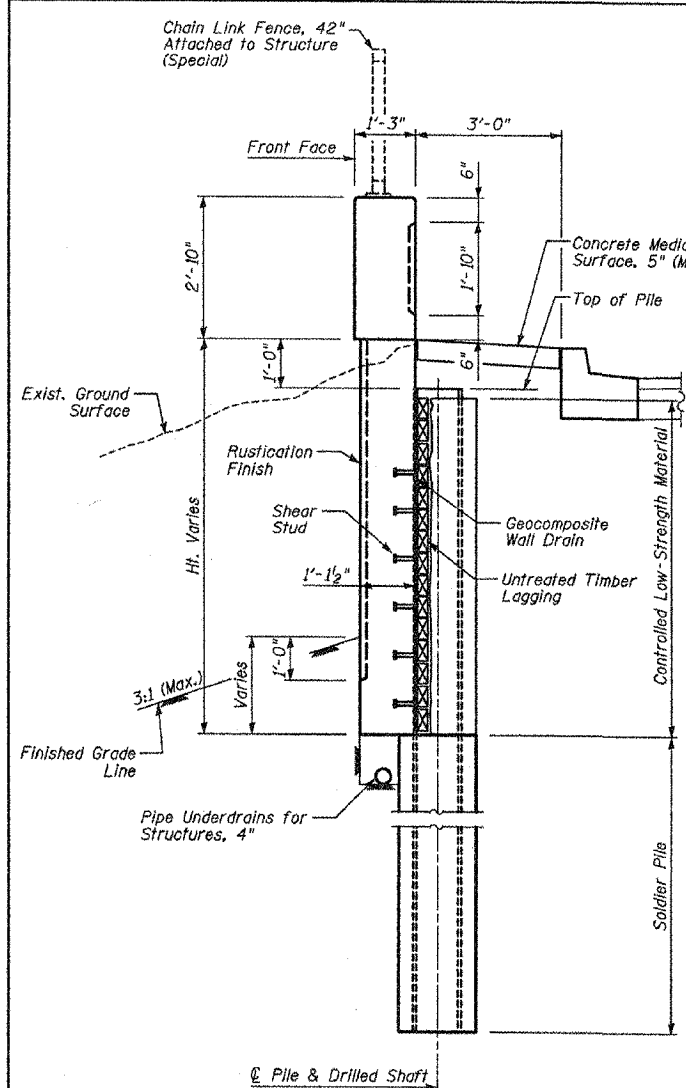
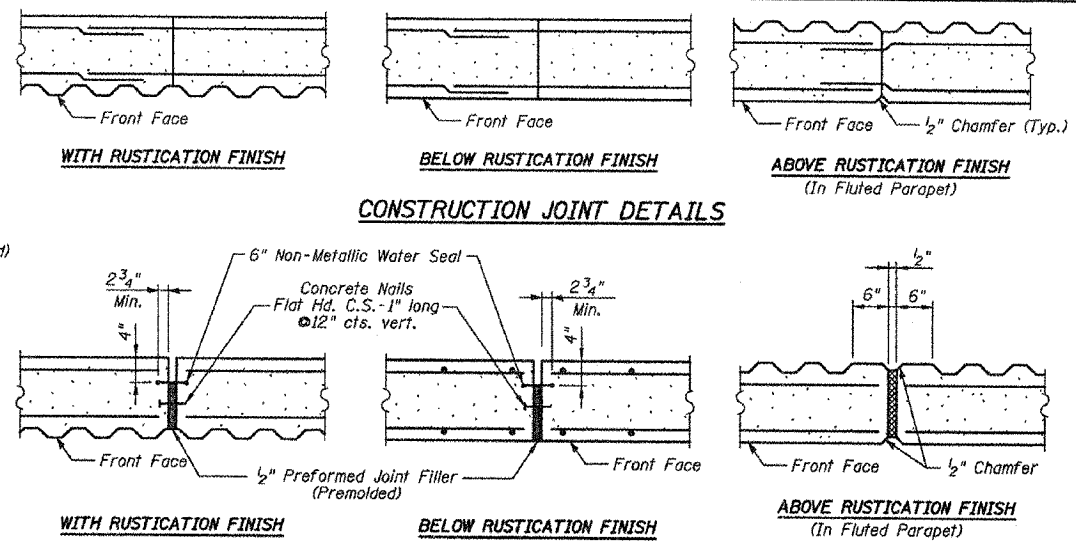


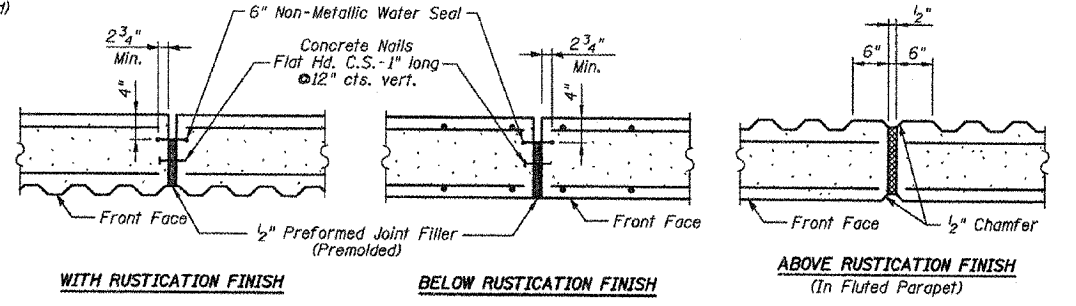
F.A.I.	SECTION	COUNTY	TOTAL SHEETS	SHEET NO.
94/90	*	COOK	565	403
STA.	TO STA.			
FED. ROAD DIST. NO.	ILLINOIS FED. AID PROJECT			
62301 * (2021-922 PT2 ETC 2324.6-1P) R-10				



TYP. SECTION THRU PROPOSED WALL

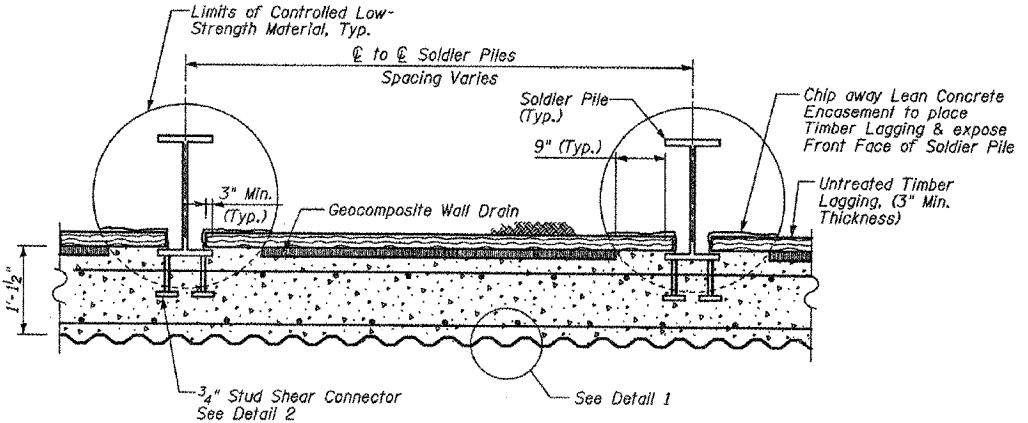


CONSTRUCTION JOINT DETAILS

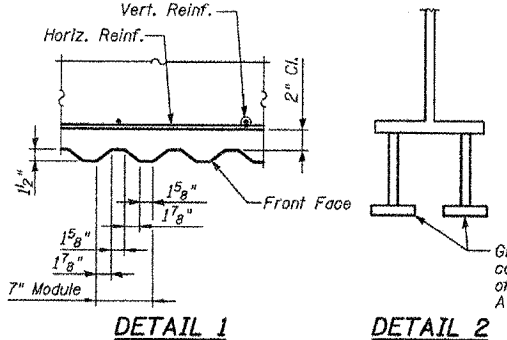


EXPANSION JOINT DETAILS

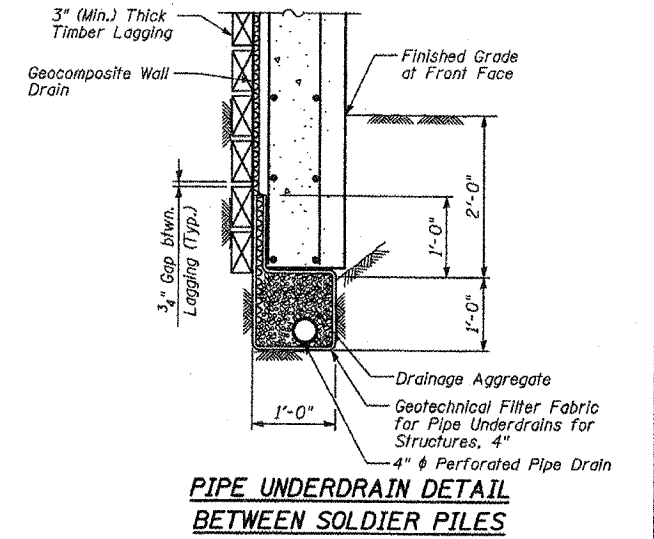
Cost of P.J.F., Water Seal and Concrete Nails included with Concrete Structures.



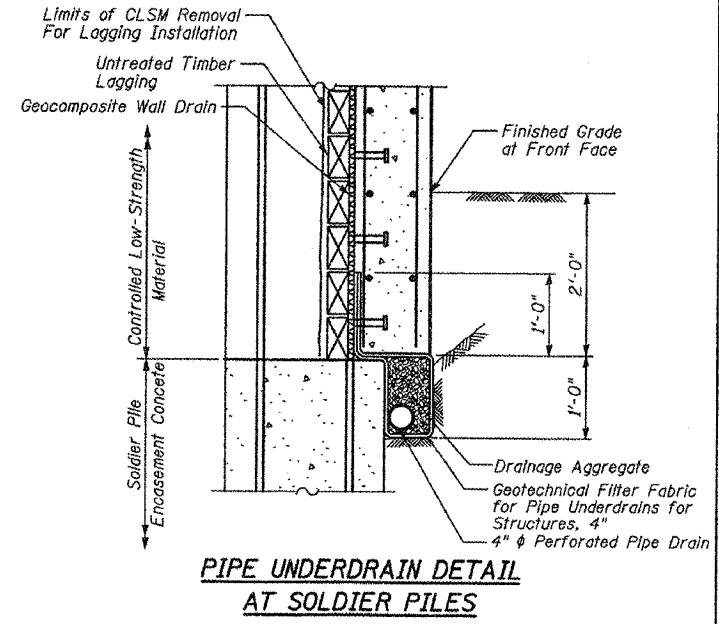
SECTION THRU SOLDIER PILE WALL



DETAIL 1 DETAIL 2



PIPE UNDERDRAIN DETAIL BETWEEN SOLDIER PILES



PIPE UNDERDRAIN DETAIL AT SOLDIER PILES

BOWMAN, BARRETT & ASSOCIATES INC.
CONSULTING ENGINEERS
Chicago, Illinois
312.228.0100
www.bbainc.com

REVISIONS	
NAME	DATE
REVISOR	06/21/06

SHEET 7 OF 9
ILLINOIS DEPARTMENT OF TRANSPORTATION
F.A.I. 94/90 (DAN RYAN EXPRESSWAY)
GARFIELD BLVD TO 31ST STREET (NB LOCAL LANES)
RETAINING WALL N-43N-F
MISCELLANEOUS DETAILS
SCALE: NTS
DATE: JUNE 9, 2006
DRAWN BY: MTR
CHECKED BY: BLU