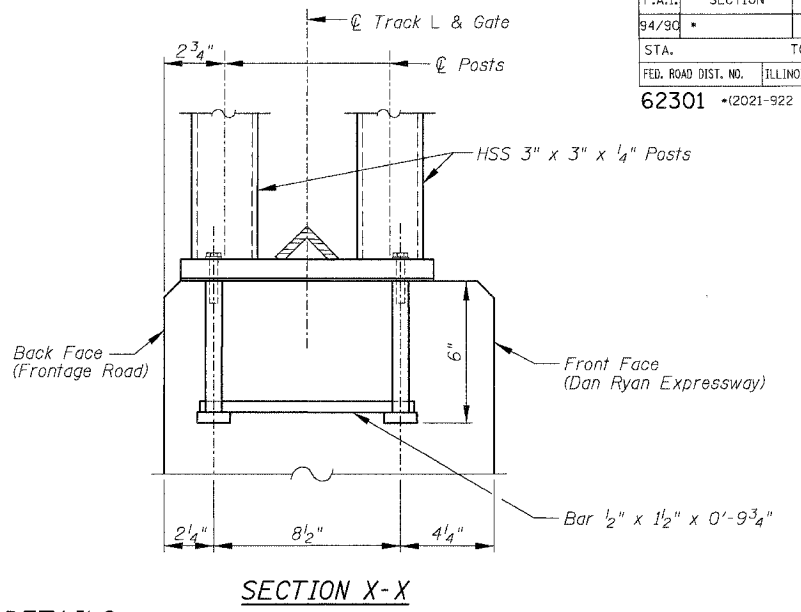
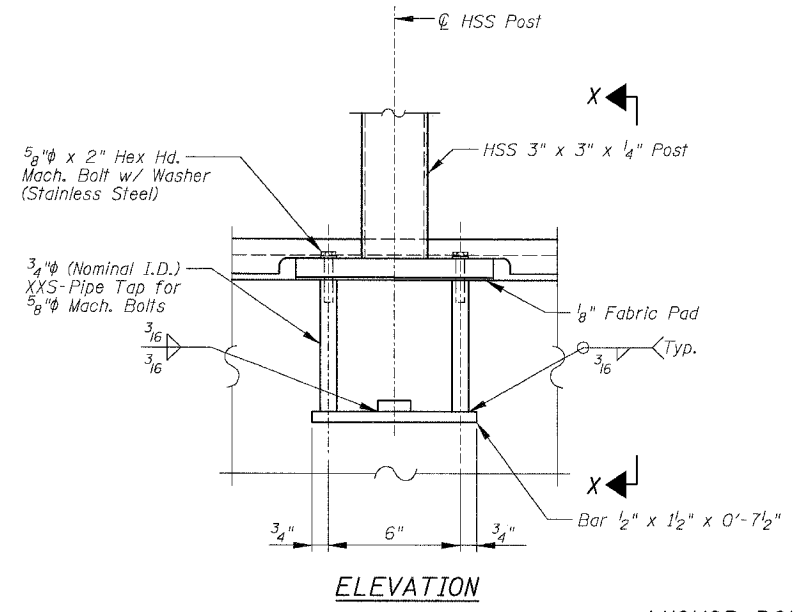
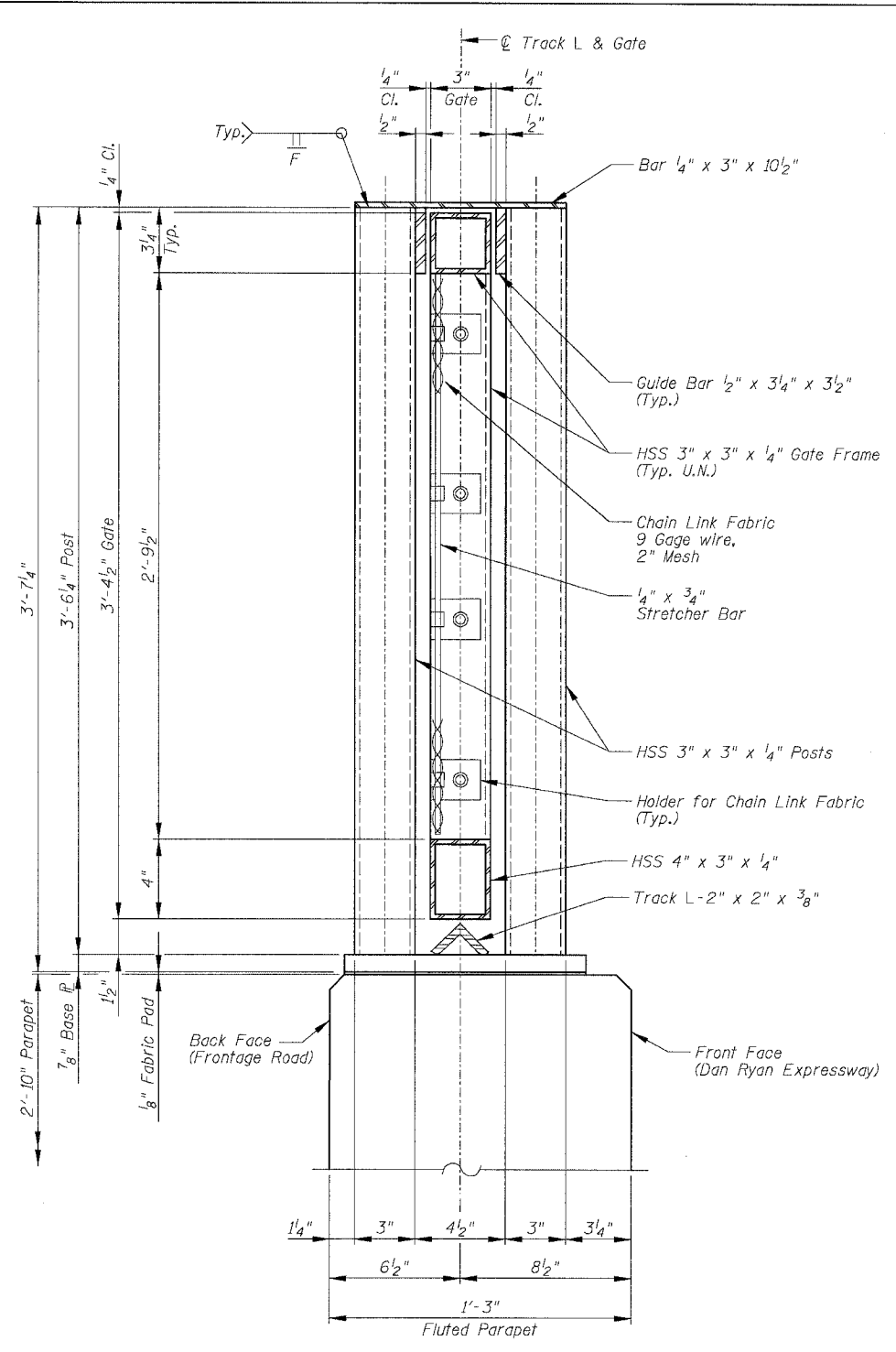
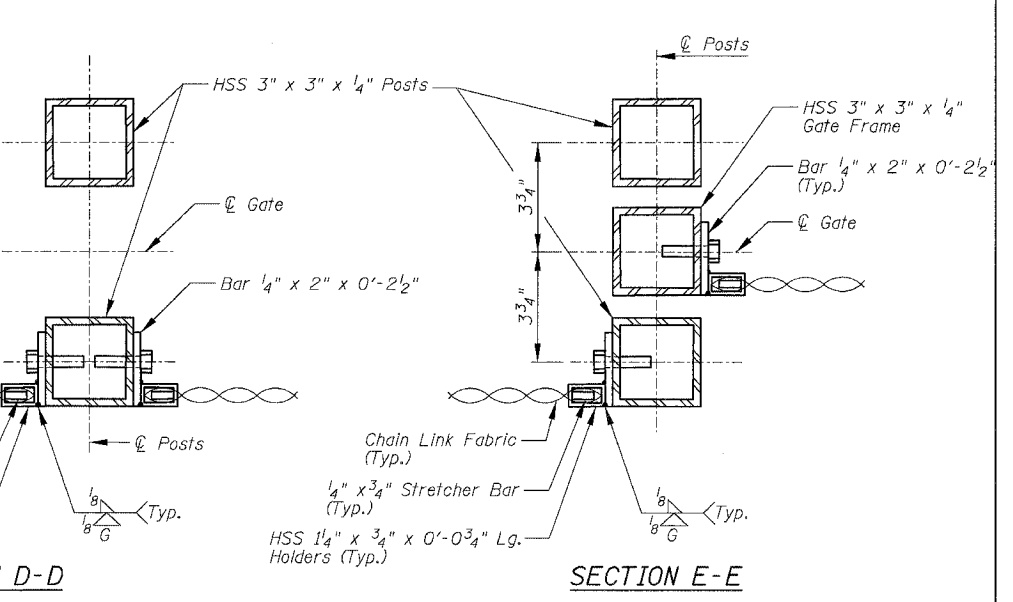
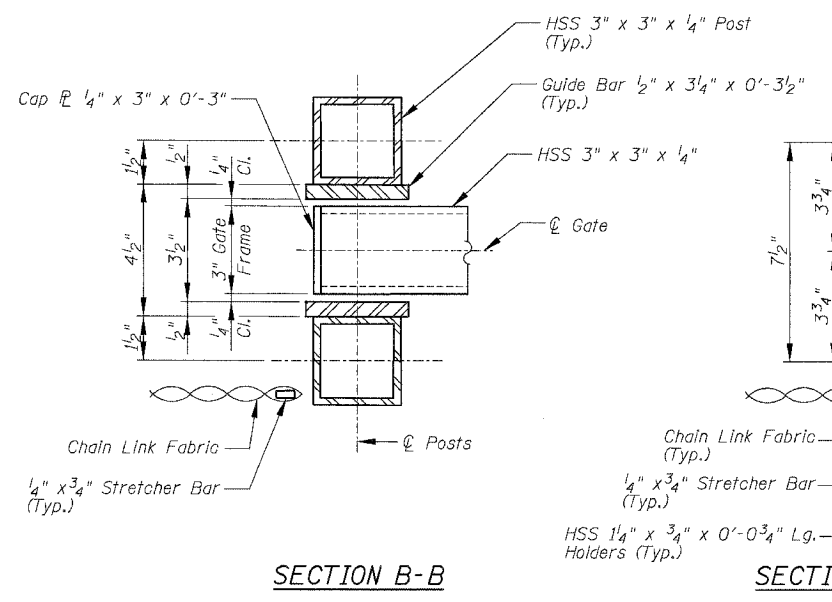


F.A.I.	SECTION	COUNTY	TOTAL SHEETS	SHEET NO.
94/90	*	COOK	565	418
STA.	TO STA.			
FED. ROAD DIST. NO.	ILLINOIS	FED. AID PROJECT		
62301 - (2021-922 PT2 ETC 2324.6-1P) R-10				



**ANCHOR BOLT DETAILS**

In lieu of the cast-in-place anchor device shown, the Contractor has the option of drilling and epoxy grouting 5/8" anchor rods with hex nuts and washers. Embedment shall be according to the manufacturer's specifications using HVA Adhesive anchor as manufactured by Hilti, Inc. or approved equal. Cost included with "Chain Link Gates (Special)".



**NOTES:**

1. See Sheet SD2A for Notes.
2. See Sheet SD3 for location of Sections A-A, B-B, D-D and E-E.

**SHEET SD4 OF SD11**

ILLINOIS DEPARTMENT OF TRANSPORTATION  
 F.A.I. 94/90 (DAN RYAN EXPRESSWAY)  
 GARFIELD BLVD TO 31ST STREET (NB LOCAL LANES)  
 CHAIN LINK FENCE, 42"  
 ATTACHED TO STRUCTURE (SPECIAL)  
 TYPICAL GATE SECTIONS & DETAILS 1

REVISIONS	
NAME	DATE

SCALE: NTS  
 DATE: JUNE 9, 2006  
 DRAWN BY: MTR  
 CHECKED BY: BLU

BOWMAN, BARRETT & ASSOCIATES INC.  
 CONSULTING ENGINEERS  
 Chicago, Illinois  
 312.228.0100  
 www.bbainc.com

6/7/2006 5:20:26 PM