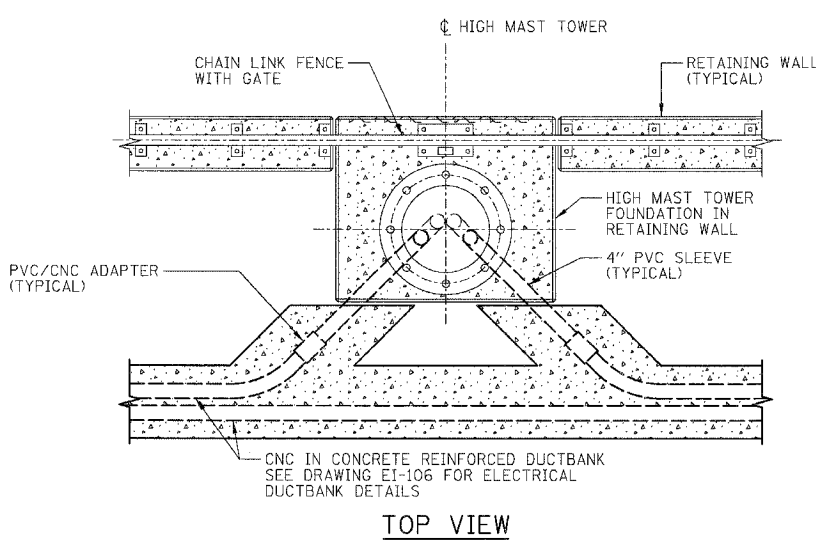
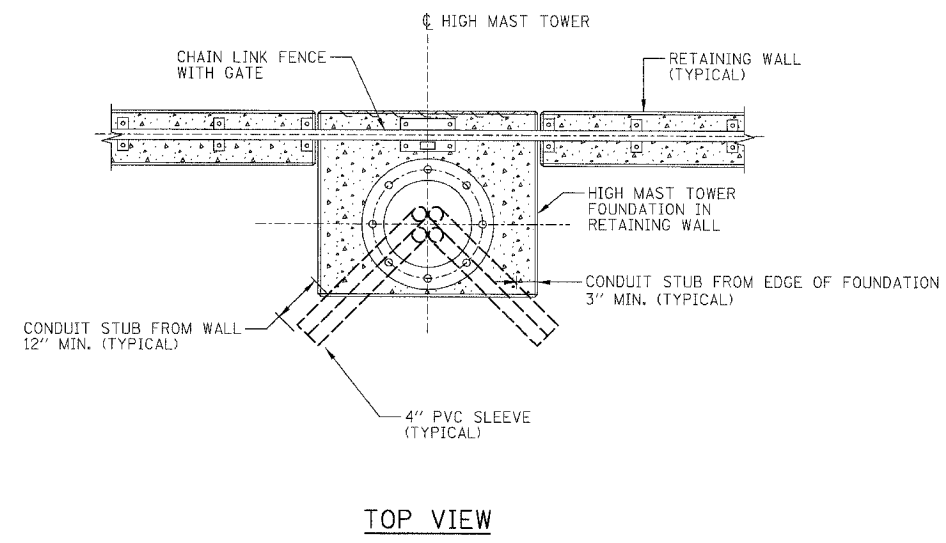
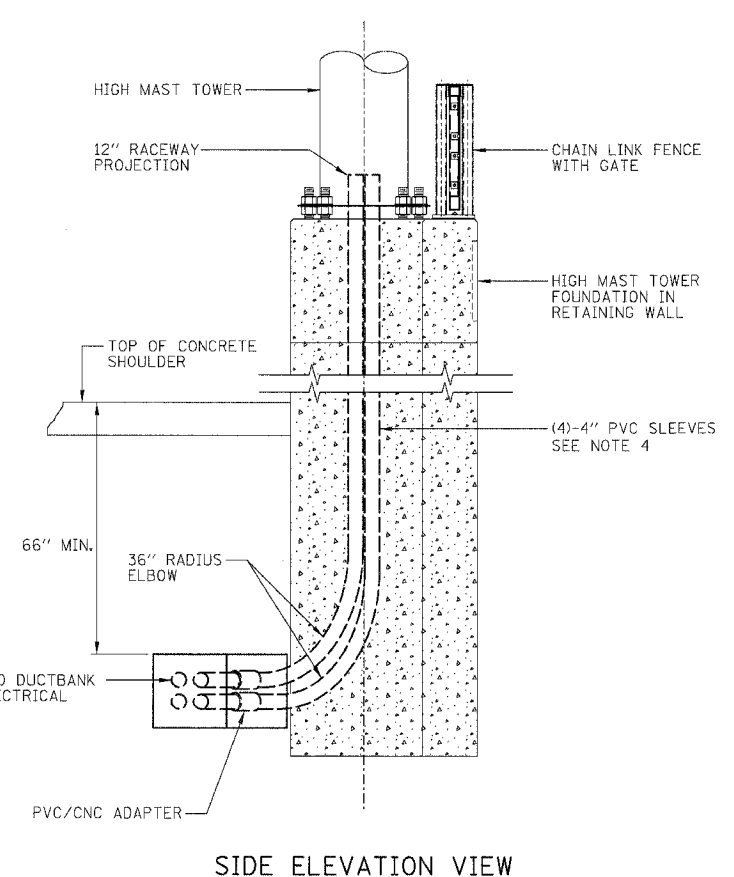
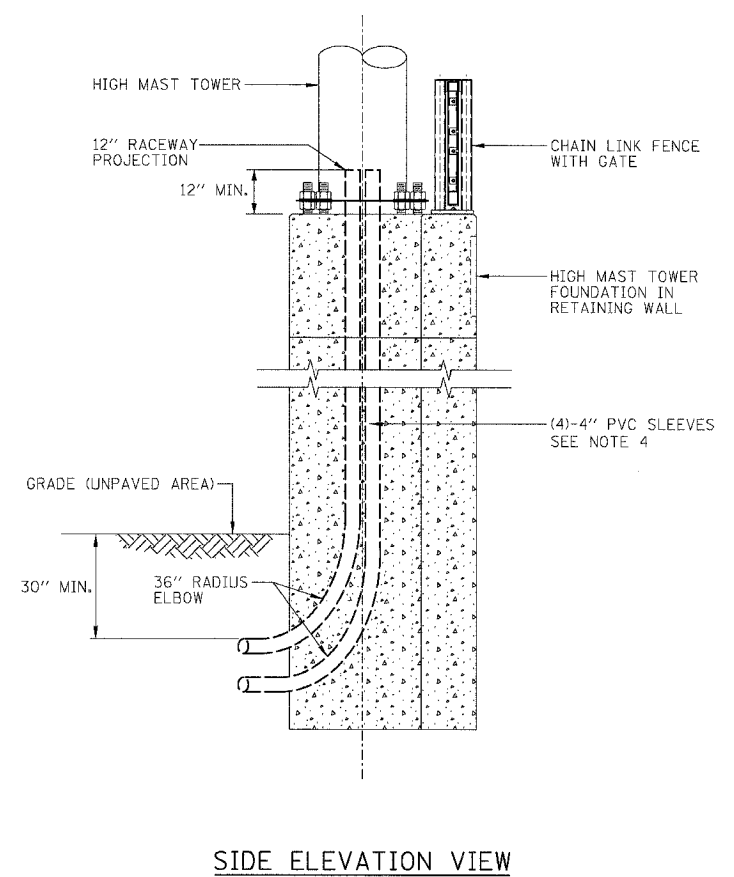


F.A.I.	SECTION	COUNTY	TOTAL SHEETS	SHEET NO.
94/90	*	COOK	565	422
STA.	TO STA.			
FED. ROAD DIST. NO.	ILLINOIS	FED. AID PROJECT		
62301	*(2021-922 PT2 ETC 2324.6-1P) R-10			



- NOTES:**
1. SEE DRAWINGS EI-100 AND EI-101 FOR ELECTRICAL SYMBOLS AND ABBREVIATIONS.
 2. SEE PLAN DRAWINGS FOR HIGH MAST LIGHT TOWER FOUNDATION LOCATIONS.
 3. SEE DRAWING EI-106 FOR ELECTRICAL DUCTBANK DETAILS.
 4. SEE SHEET SD9 FOR NOTES REGARDING PVC CONDUIT SLEEVES.
 5. SEE WALL PLANS AND IDOT STANDARD DRAWING BE-501 FOR ADDITIONAL FOUNDATION DETAILS.



TYPICAL CONDUIT INSTALLATION DETAIL FOR INSTALLING CONDUIT SLEEVES IN FOUNDATION IN RETAINING WALL
NOT TO SCALE

TYPICAL CONDUIT INSTALLATION DETAIL FOR INSTALLING CONCRETE DUCTBANK TO FOUNDATION IN RETAINING WALL
NOT TO SCALE

SHEET SD8 OF SD11

REVISIONS		DATE
NAME		

ILLINOIS DEPARTMENT OF TRANSPORTATION
F.A.I. 94/90 (DAN RYAN EXPRESSWAY)
GARFIELD BLVD TO 31ST STREET (NB LOCAL LANES)
LIGHT TOWER FOUNDATIONS MOUNTED ON RETAINING WALLS
SCALE: NTS
DATE: JUNE 9, 2006
DRAWN BY: MTR
CHECKED BY: BLU

BOWMAN, BARRETT & ASSOCIATES INC
CONSULTING ENGINEERS
Chicago, Illinois
312.228.0100
www.bbandainc.com

F:\9409\9409\CONCRETE\RETAINING WALLS\9409\RETAINING WALLS\SD8.DWG 5/05/06 5:05:59 PM