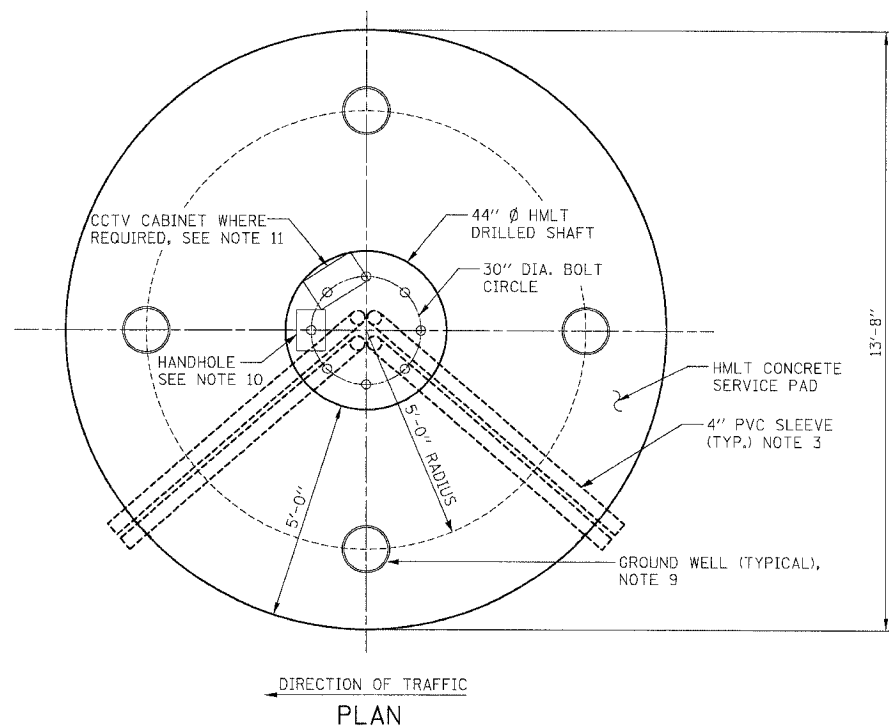
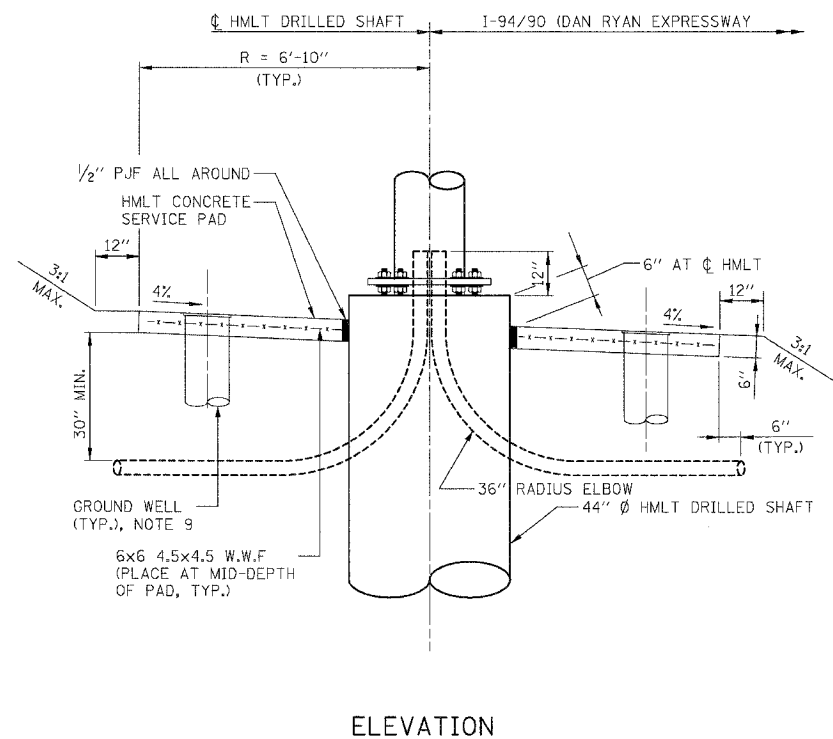


F.A.I.	SECTION	COUNTY	TOTAL SHEETS	SHEET NO.
94/90	*	COOK	565	423
STA.	TO STA.			
FED. ROAD DIST. NO.	ILLINOIS	FED. AID PROJECT		
62301	*(2021-922 PT2 ETC 2324.6-1P) R-10			



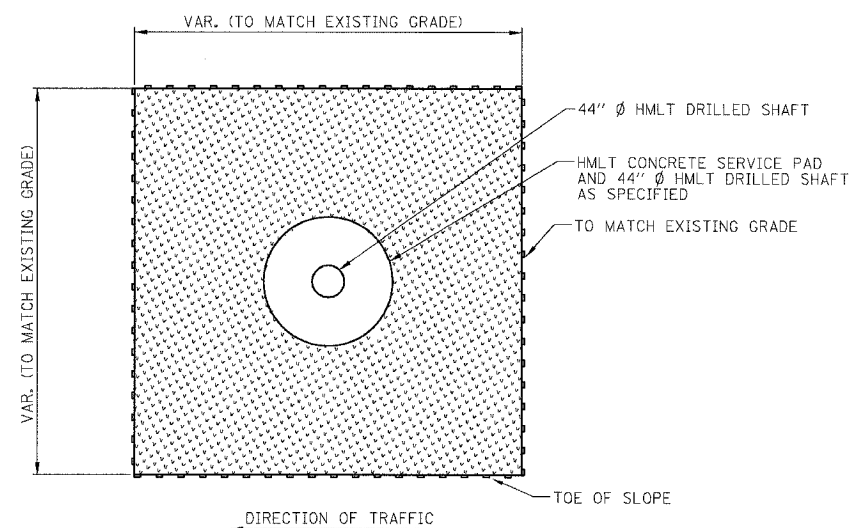
**GROUND MOUNTED HIGH MAST LIGHT TOWER FOUNDATION  
WITH SERVICE PAD DETAIL**



**ELEVATION**

**NOTES:**

- SEE DRAWINGS EI-100 AND EI-101 FOR ELECTRICAL SYMBOLS AND ABBREVIATIONS.
- SEE IDOT STANDARD DRAWING BE501 FOR ADDITIONAL HIGH MAST LIGHT TOWER FOUNDATION DETAILS.
- PVC SLEEVES MUST BE EXTENDED 6 INCHES BEYOND THE EDGE OF THE CONCRETE PAD (BOTH CURRENT AND FUTURE).
- PVC SLEEVE FOR CCTV CAMERA POWER FEED (FUTURE). SLEEVE MUST BE CAPPED UNLESS NOTED OTHERWISE ON THE PLANS.
- SEE CROSS SECTIONS FOR LIMITS OF GRADING AND SEEDING.
- THE PERIMETER EROSION BARRIER IS TO BE PLACED AROUND THE WORK ZONE AREA OR AS DIRECTED BY THE ENGINEER.
- COST OF ALL EROSION CONTROL ITEMS FOR HIGH MAST LIGHT TOWER RESTORATION WILL BE INCLUDED IN THE UNIT COST OF LIGHT TOWER FOUNDATION, 44" DIAMETER.
- ALL LIGHT TOWER FOUNDATIONS INCLUDING RETAINING WALL MOUNTED TOWERS WILL HAVE 4 PVC SLEEVES. COST OF PVC SLEEVES INCLUDED IN COST OF LIGHT TOWER FOUNDATION, 44" DIAMETER OR DRILLED SHAFT IN SOIL, 44" AS APPROPRIATE.
- INSTALL GROUND WELLS 5'-0" AS MEASURED FROM THE CENTER LINE OF THE HIGH MAST TOWER TO THE CENTER LINE OF THE WELL.
- THE HANDHOLE FOR THE HIGH MAST LIGHTING UNIT MUST BE ORIENTED SUCH THAT IT IS MOUNTED ON THE SIDE OF THE POLE THAT IS OPPOSITE THE DIRECTION OF TRAFFIC.
- THE DETAIL REPRESENTS A HIGH MAST LIGHT TOWER WITH A CCTV CAMERA MOUNTED ON IT. THE DETAIL FOR HIGH MAST LIGHT TOWERS WITH NO CAMERAS IS SIMILAR.
- GROUND RODS AND GROUND WELLS MAY ALREADY BE INSTALLED AT CERTAIN HMLT FOUNDATIONS. CONTRACTOR SHALL MAKE ANY NECESSARY ADJUSTMENTS AS REQUIRED TO CONSTRUCT SERVICE PADS. COST OF ADJUSTMENTS SHALL BE INCLUDED WITH LIGHT TOWER SERVICE PAD, 6 OR LIGHT TOWER SERVICE PAD SPECIAL AS APPROPRIATE.



**LANDSCAPING ADJACENT TO GROUND MOUNTED  
HIGH MAST TOWER FOUNDATION**

**LEGEND:**

- TEMPORARY EROSION CONTROL SEEDING
- PERIMETER EROSION BARRIER

BOWMAN, BARRETT & ASSOCIATES INC.  
CONSULTING ENGINEERS  
Chicago, Illinois  
312.228.0100  
www.bbndainc.com

SHEET SD9 OF SD11

REVISIONS	
NAME	DATE

ILLINOIS DEPARTMENT OF TRANSPORTATION  
F.A.I. 94/90 (DAN RYAN EXPRESSWAY)  
GARFIELD BLVD TO 31ST STREET (NB LOCAL LANES)

**GROUND MOUNTED HIGH MAST  
LIGHT TOWER FOUNDATIONS**

SCALE: NTS  
DATE: JUNE 9, 2006

DRAWN BY: MTR  
CHECKED BY: BLU

50844.PIN 6/7/2006