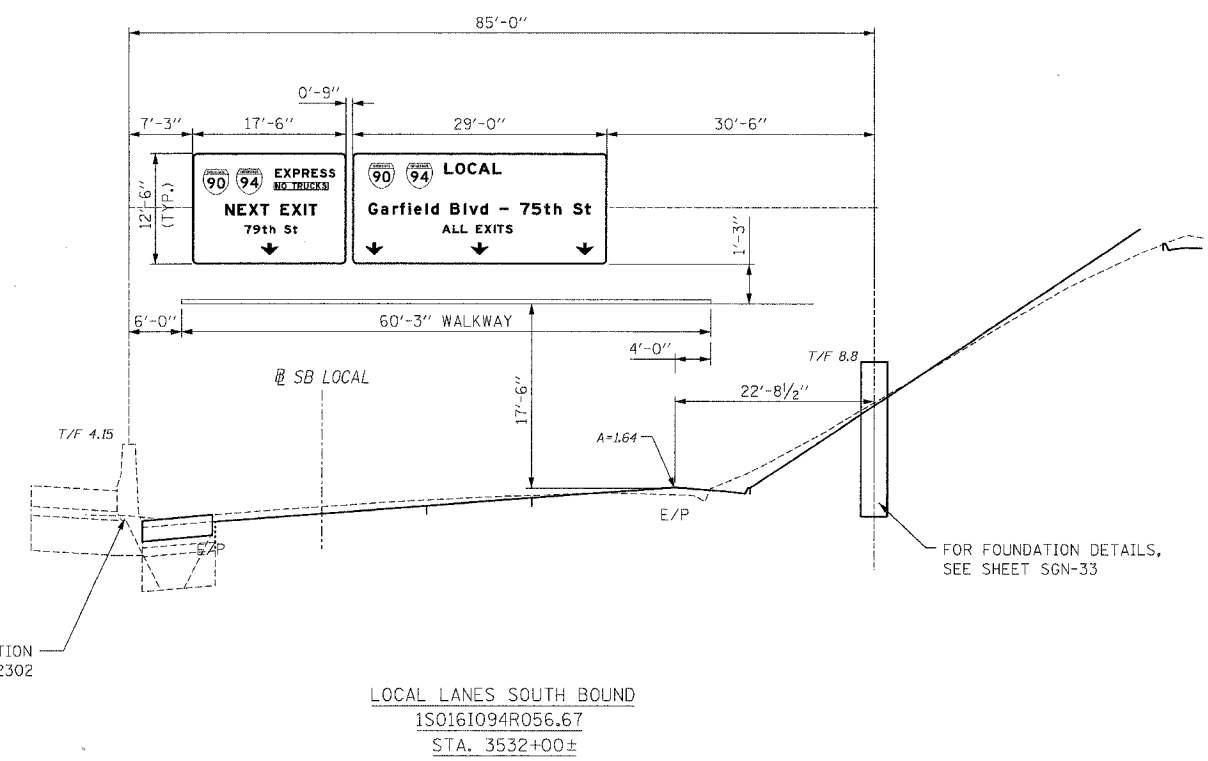
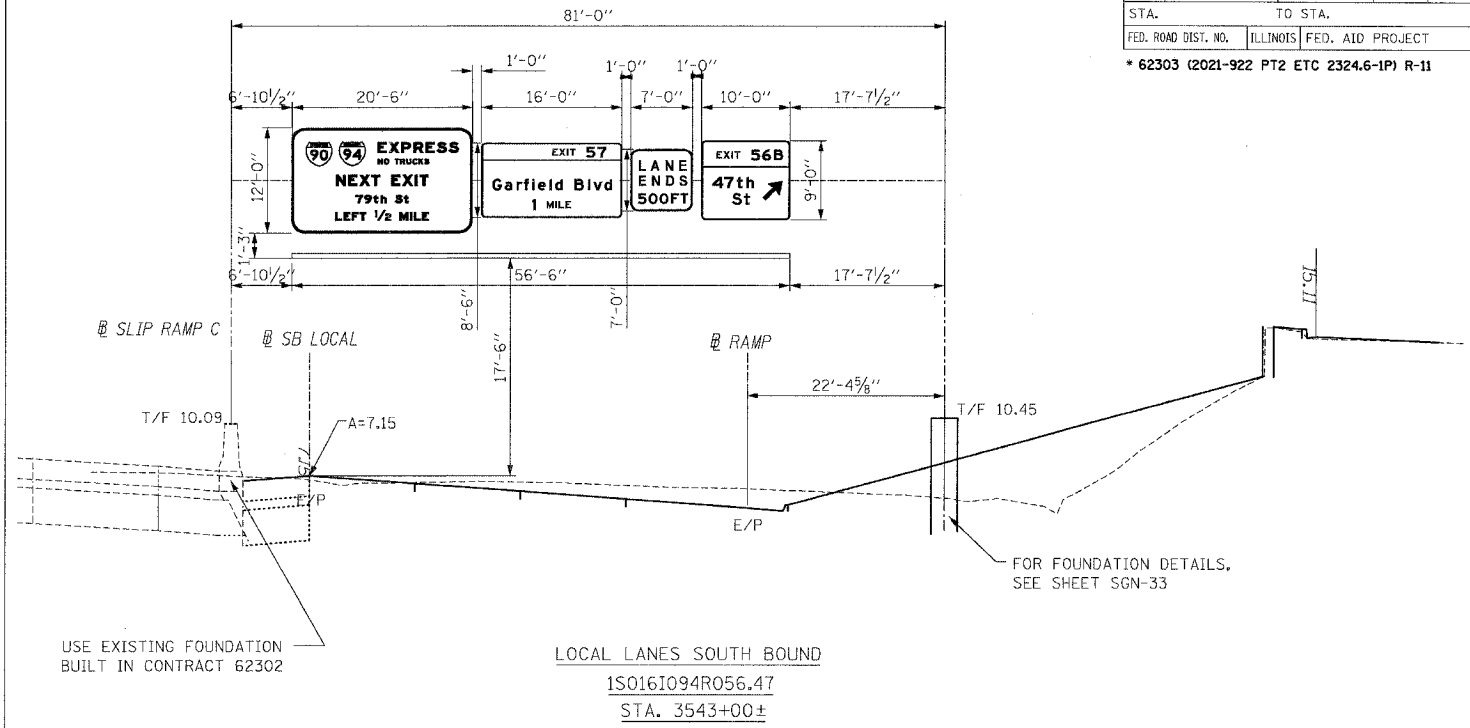


F.A.I. RTE.	SECTION	COUNTY	TOTAL SHEETS	SHEET NO.
94/90	*	COOK	588	262
STA.	TO STA.			
FED. ROAD DIST. NO.	ILLINOIS FED. AID PROJECT			
* 62303 (2021-922 PT2 ETC 2324.6-1P) R-11				



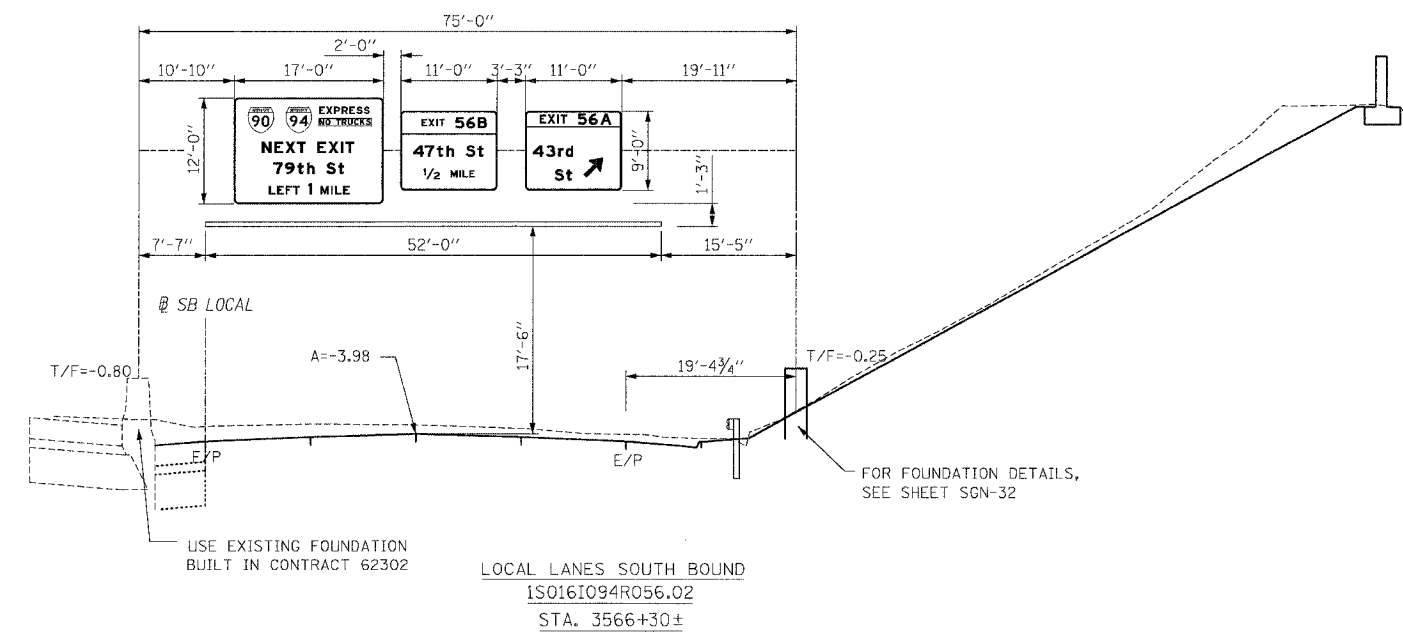
USE EXISTING FOUNDATION BUILT IN CONTRACT 62302

LOCAL LANES SOUTH BOUND
 1S016I094R056.67
 STA. 3532+00±



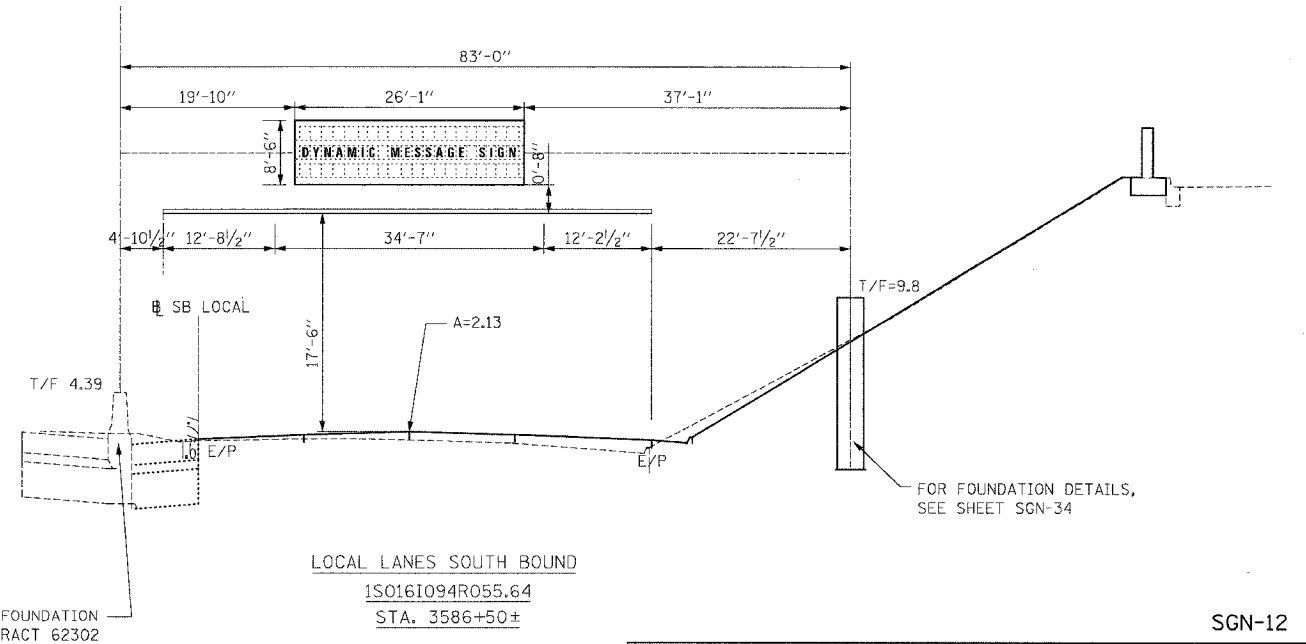
USE EXISTING FOUNDATION BUILT IN CONTRACT 62302

LOCAL LANES SOUTH BOUND
 1S016I094R056.47
 STA. 3543+00±



USE EXISTING FOUNDATION BUILT IN CONTRACT 62302

LOCAL LANES SOUTH BOUND
 1S016I094R056.02
 STA. 3566+30±



USE EXISTING FOUNDATION BUILT IN CONTRACT 62302

LOCAL LANES SOUTH BOUND
 1S016I094R055.64
 STA. 3586+50±



REVISIONS	NAME	DATE

ILLINOIS DEPARTMENT OF TRANSPORTATION
 F.A.I. 90/94 (DAN RYAN EXPRESSWAY)
 GARFIELD BLVD TO 31ST (SB LOCAL LANES)
 SIGN PLACEMENT DETAILS

SCALE: NONE
 DATE: 06/09/06
 DRAWN BY: RV
 CHECKED BY: MSA

SGN-12

12/25/08 PM 6/8/2006