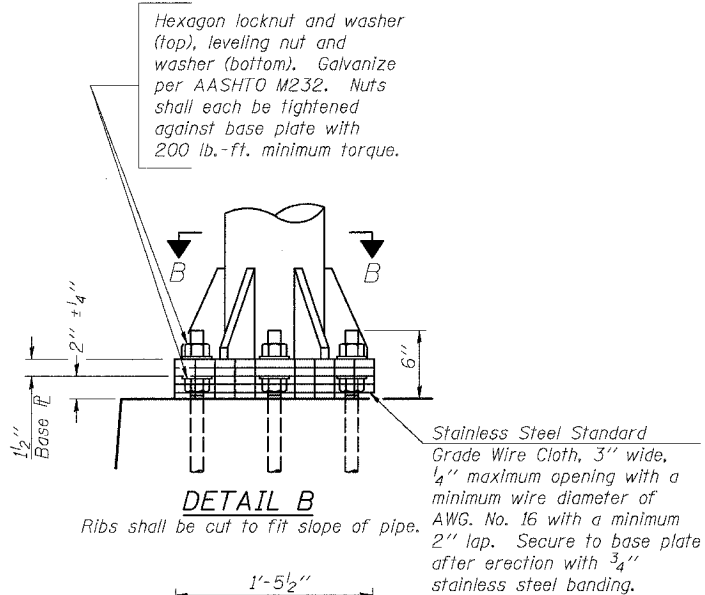


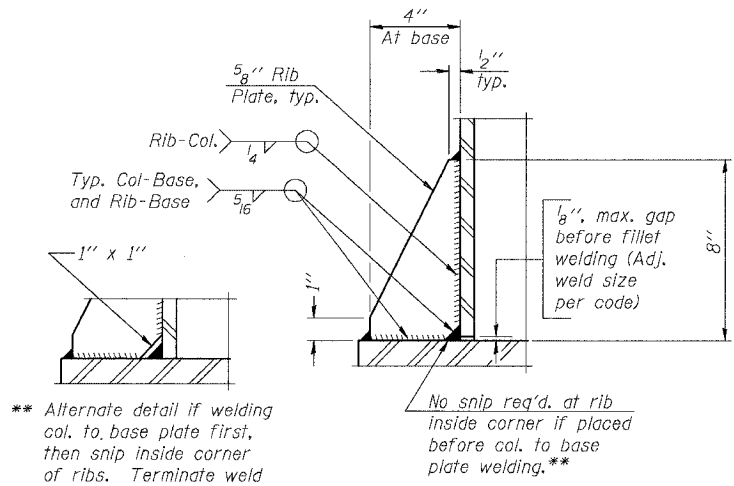
STATE OF ILLINOIS  
DEPARTMENT OF TRANSPORTATION

ROUTE NO.	SECTION	COUNTY	DATE SHEETS	SHEET NO.
94/90	*	COOK	588	270
FED. ROAD DIST. NO. 1		ILLINOIS	FED. AID PROJECT-	

\* 62303 (2021-922 PT2 ETC 2324.6-1P) R-11

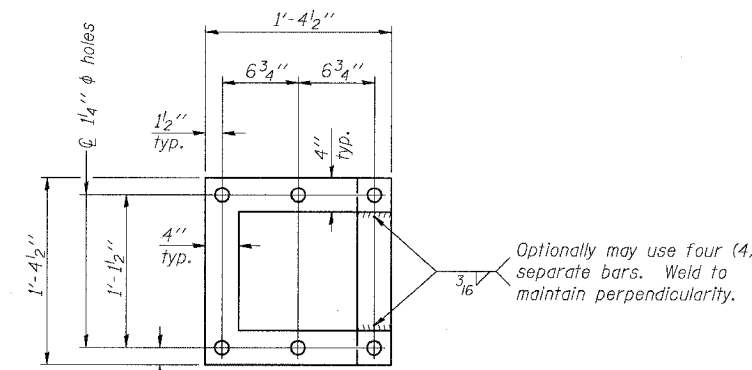
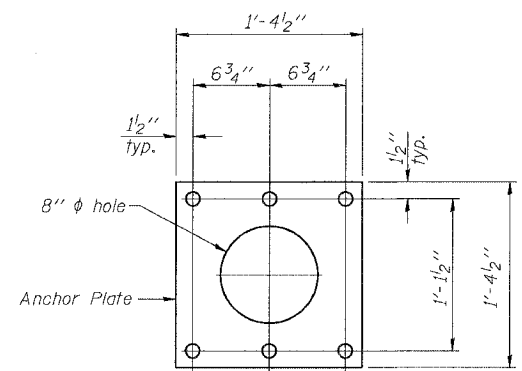


DETAIL B

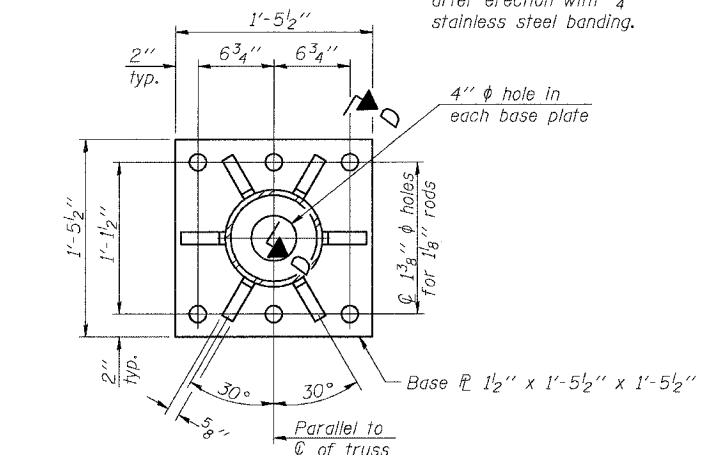


SECTION D-D

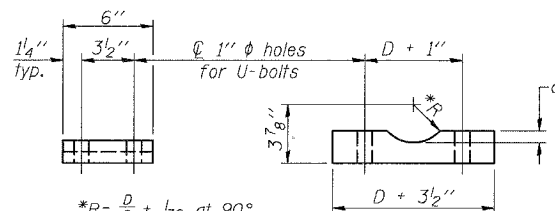
\*\* Alternate detail if welding col. to base plate first, then snip inside corner of ribs. Terminate weld on rib 1/4" from snip.



POSITIONING PLATE(S)



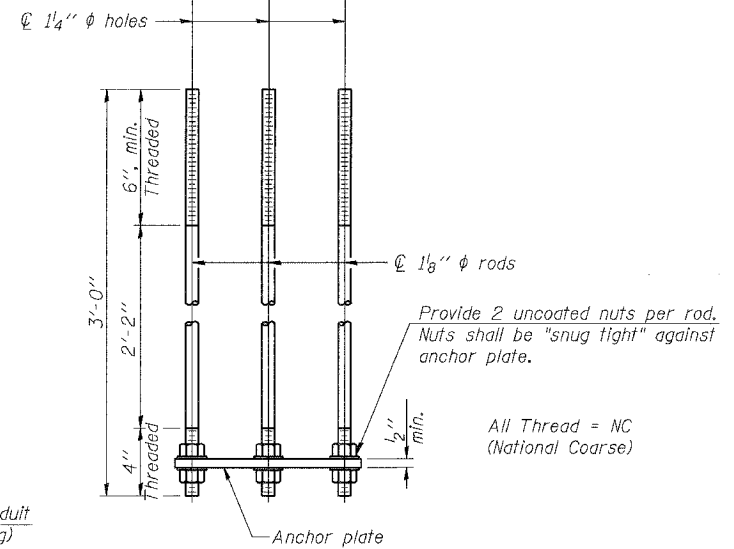
SECTION B-B



SADDLE SHIM DETAIL

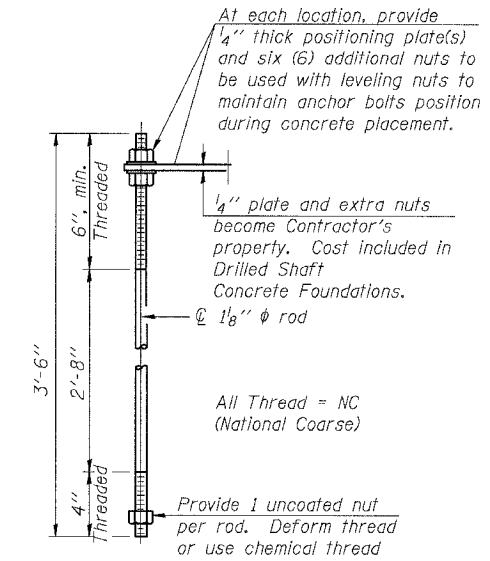
ASTM B26 Alloy 356-F  
or  
ASTM B209 Alloy 6061-T651  
(4 required per sign truss)

Truss Chord Nominal Dia.	a
5"	3/4"
5 1/2"	13/16"
6"	7/8"
6 1/2"	15/16"



ANCHOR ROD DETAIL

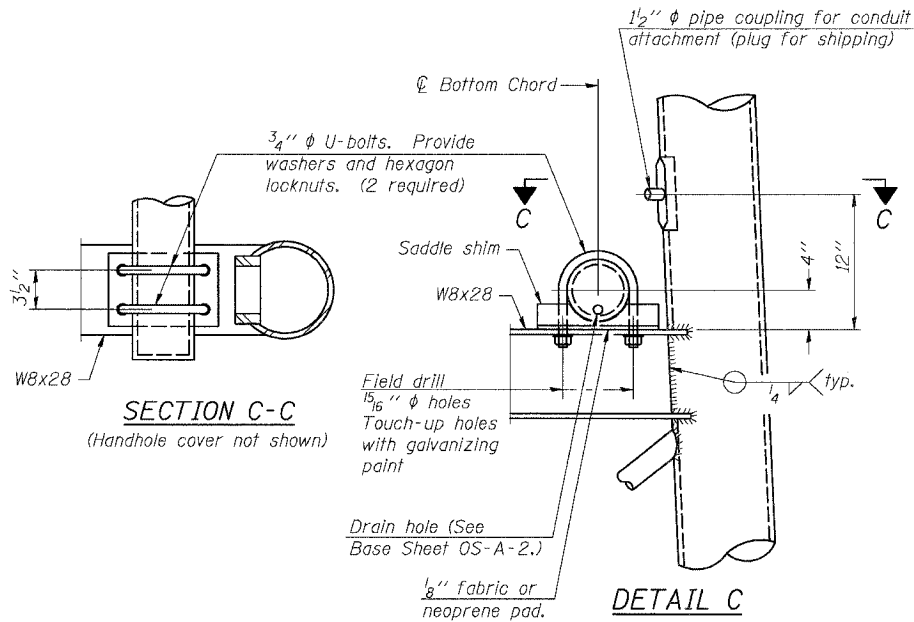
Spread Footing Foundation



ANCHOR ROD DETAIL

Drilled Shaft Foundation

Anchor rods shall conform to AASHTO M314 Grade 36 or 55 and meet Charpy V-Notch (CVN) energy of 15 lb.-ft. at 40° F. Galvanize upper 12" per AASHTO M232. No welding shall be permitted on rods.



SECTION C-C

DETAIL C

TYPE I-A TRUSS  
8"  $\phi$  PIPE SUPPORT FRAME DETAILS

NUMBER	REVISION	DATE

DESIGNED	MSA	20
CHECKED	AS	EXAMINED
DRAWN	RV	ENGINEER OF STRUCTURAL SERVICES
CHECKED	MSA	PASSED
		ENGINEER OF BRIDGES AND STRUCTURES

OS-A-4A 1-7-05

OVERHEAD SIGN STRUCTURES  
SUPPORT FRAME DETAILS ALUMINUM TRUSS

ILLINOIS DEPARTMENT OF TRANSPORTATION  
F.A.I. 94/90 (DAN RYAN EXPRESSWAY)  
GARFIELD BLVD TO 31st STREET (SB LOCAL LANES)

OVERHEAD SIGN STRUCTURES  
(SPAN)

SGN-20