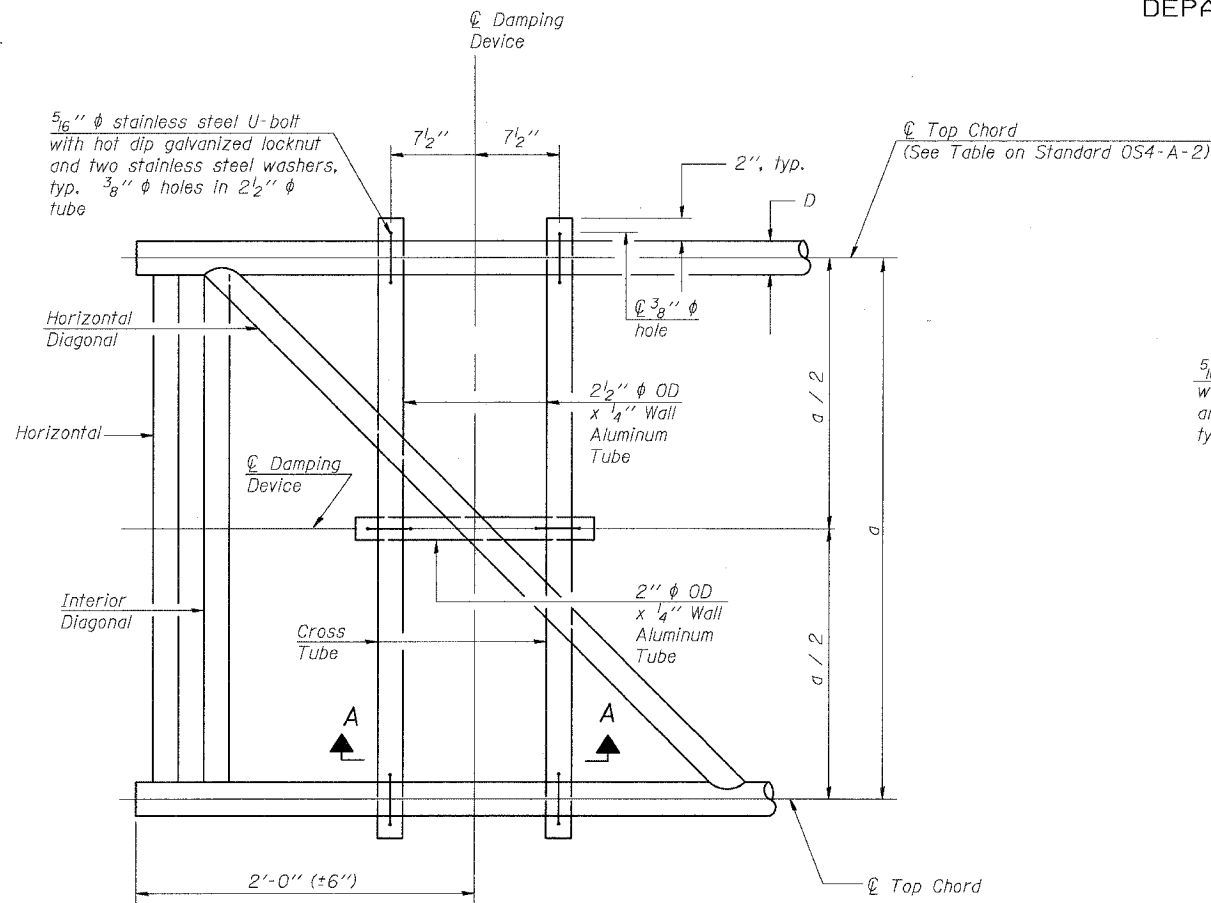


STATE OF ILLINOIS
DEPARTMENT OF TRANSPORTATION

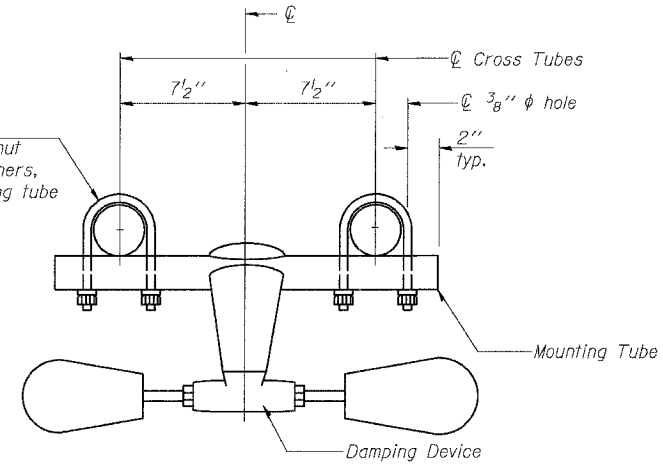
ROUTE NO.	SECTION	COUNTY	DATE	SHEET
94/90	*	COOK	588	290
FED. ROAD DIST. NO. 1		ILLINOIS	FED. AID PROJECT-	

* 62303 (2021-922 PT2 ETC 2324.6-1P) R-11

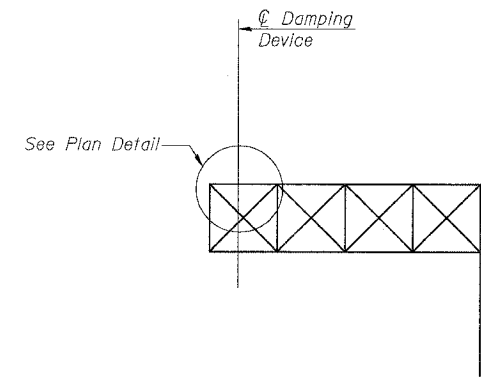


PLAN DETAIL

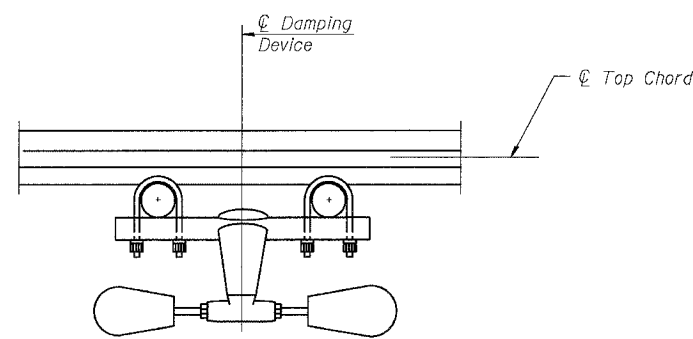
5/16" ϕ stainless steel U-bolt with hot dip galvanized locknut and two stainless steel washers, typ. 3/8" ϕ holes in mounting tube



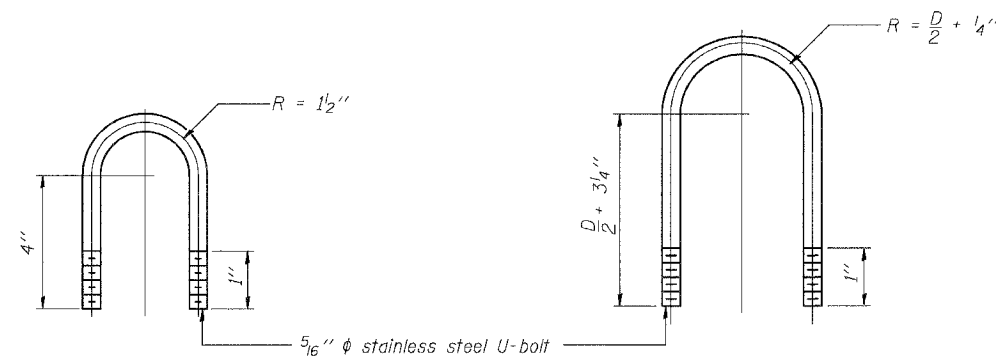
TRUSS DAMPING DEVICE CONNECTION DETAIL



ELEVATION
Aluminum Cantilever Sign Structure



SECTION A-A



DAMPING DEVICE MOUNTING TUBE U-BOLT DETAIL
(Typical)

TOP CHORD TO CROSS TUBE U-BOLT DETAIL
(Typical)

- GENERAL NOTES**
- Damper: One damper per truss. (31 lbs. Stockbridge-Type Aluminum)
 - Materials: Aluminum tubes shall be ASTM B221 alloy 6061 temper T6

DESIGNED	MSA	EXAMINED	20
CHECKED	AS	PASSED	ENGINEER OF STRUCTURAL SERVICES
DRAWN	RV		ENGINEER OF BRIDGES AND STRUCTURES
CHECKED	MSA		

OSC-A-D

1-7-05

SGN-40

CANTILEVER SIGN STRUCTURE
DAMPING DEVICE

ILLINOIS DEPARTMENT OF TRANSPORTATION
F.A.I. 94/90 (DAN RYAN EXPRESSWAY)
GARFIELD BLVD TO 31st STREET (SB LOCAL LANES)
OVERHEAD SIGN STRUCTURES
(CANTILEVER)