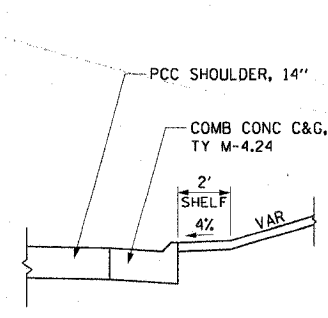
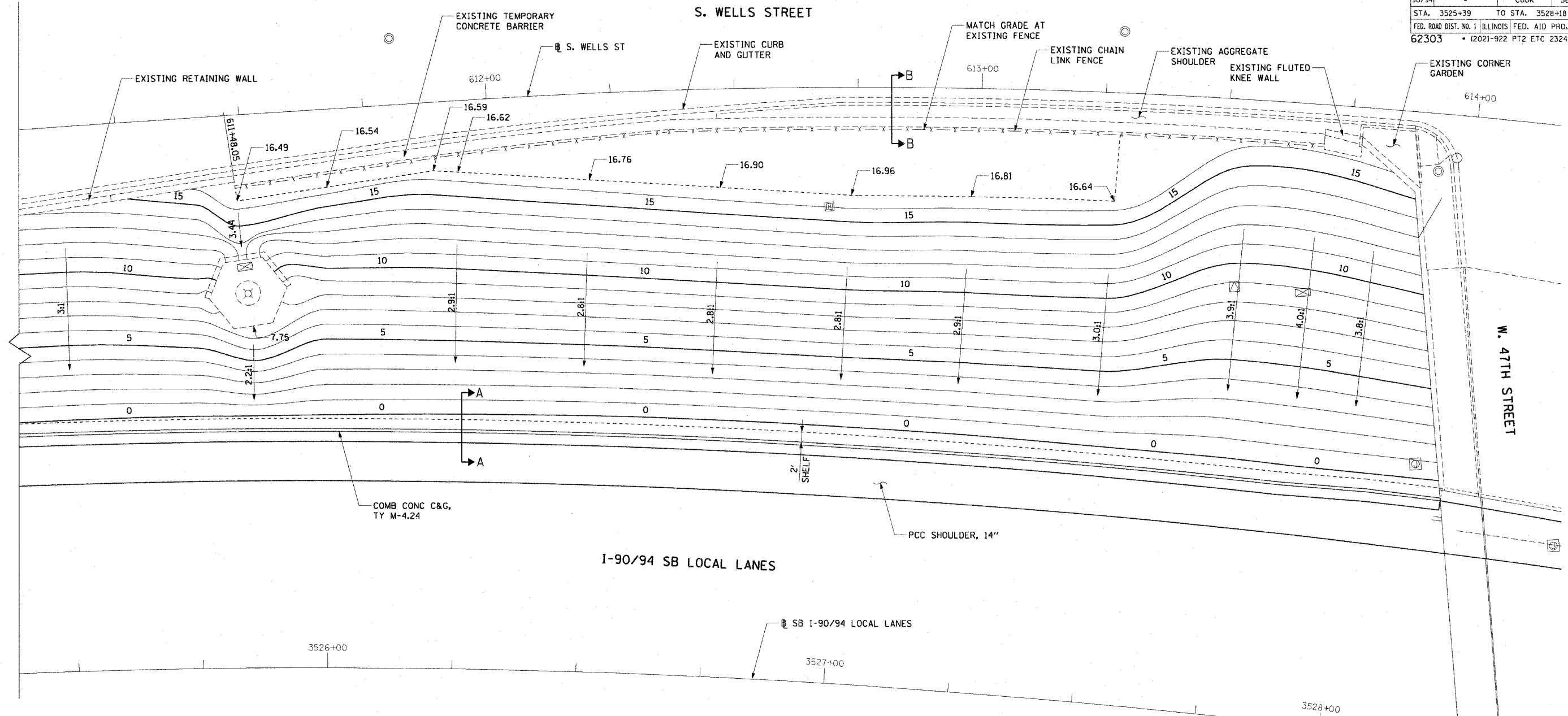
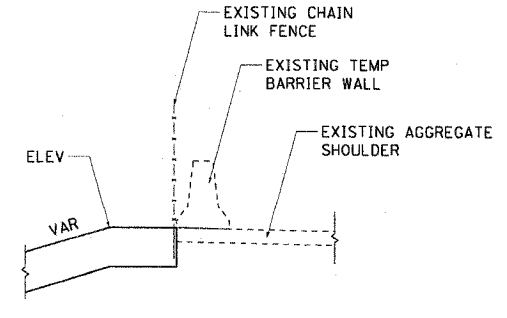


F.A.I. RTE.	SECTION	COUNTY	TOTAL SHEETS	SHEET NO.
90/94		COOK	588	317
STA. 3525+39		TO STA. 3528+18		
FED. ROAD DIST. NO. 1 ILLINOIS FED. AID PROJECT				
62303 • (2021-922 PT2 ETC 2324.6-1P) R-11				



SECTION A-A



SECTION B-B

GRADING ELEVATIONS		
STATION	OFFSET	ELEV
3525+85.76	94.7' RT	16.49
3526+00.00	97.3' RT	16.54
+20.23	100.7' LT	16.59
+25.00	100.5' LT	16.62
+50.00	99.6' LT	16.76
+75.00	99.1' LT	16.90
3527+00.00	99.0' LT	16.96
+22.78	100.3' LT	16.81
+50.00	101.8' LT	16.64
+75.00	.	.
3528+00.00	.	.

NOTES:
 1. ELEVATIONS ARE FOR FUTURE LOCATION OF FLUTED KNEE WALL CONSTRUCTED IN CONTRACT 62987

• OFFSETS AND ELEVATIONS SHALL MATCH THE EXISTING AGGREGATE SHOULDER OR THE BASE OF THE EXISTING KNEE WALL.

REVISIONS	
NAME	DATE

ILLINOIS DEPARTMENT OF TRANSPORTATION
 F.A.I. 90/94 (DAN RYAN EXPRESSWAY)
 GARFIELD BLVD TO 31ST STREET (SB LOCAL LANES)

GRADING PLANS

SCALE: 1"=10'
 DATE: June 9, 2006
 DRAWN BY: NJH
 CHECKED BY: XXX



GR-01
 6/7/2006 1:28:24 PM