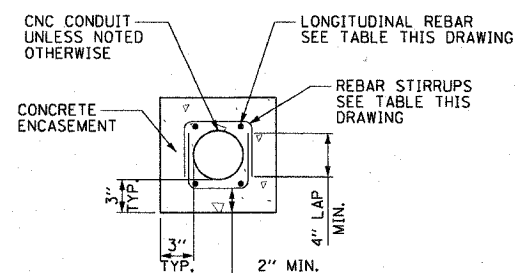
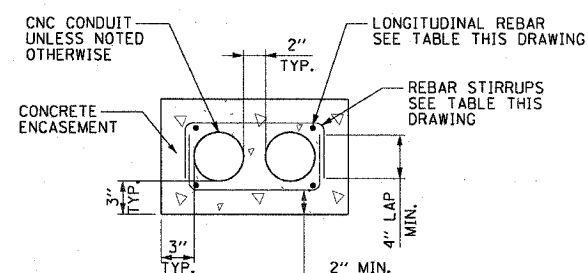


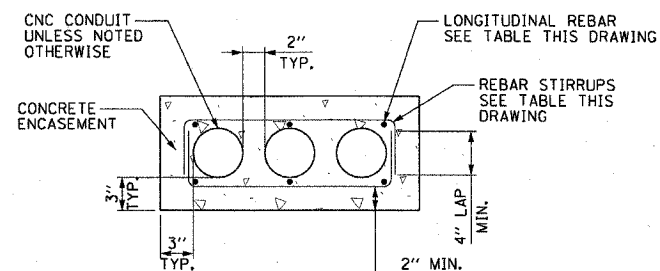
F.A.I. RTE.	SECTION	COUNTY	TOTAL SHEETS	SHEET NO.
90/94	*	COOK	588	339
STA.		TO STA.		
FED. ROAD DIST. NO. 1		ILLINOIS FED. AID PROJECT		
62303		* (2021-922 PT2 ETC 2324.6-1P) R-11		



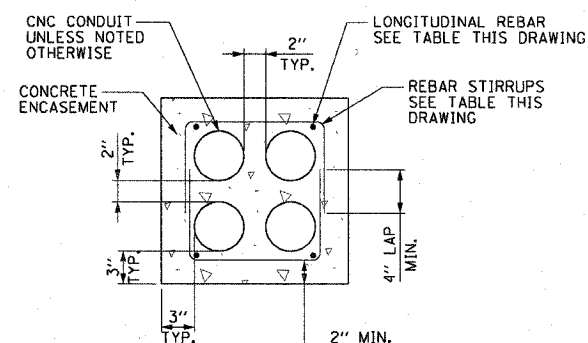
1x1 DUCTBANK DETAIL-
IN REINFORCED CONCRETE
NOT TO SCALE



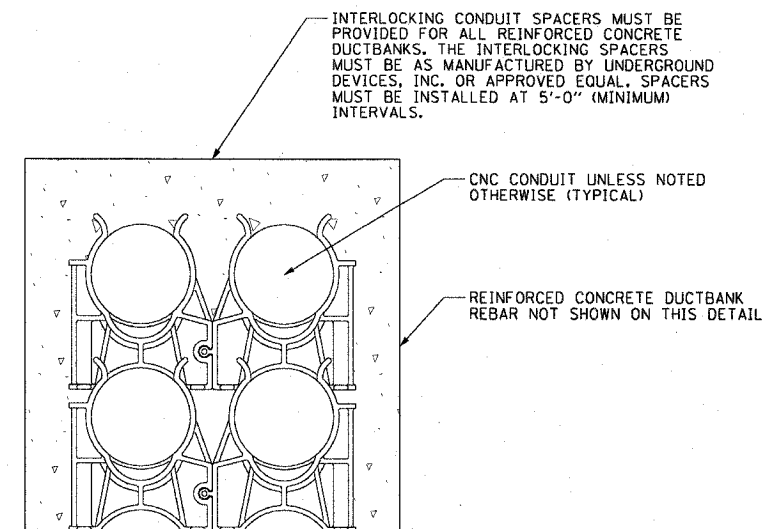
2x1 DUCTBANK DETAIL-
IN REINFORCED CONCRETE
NOT TO SCALE



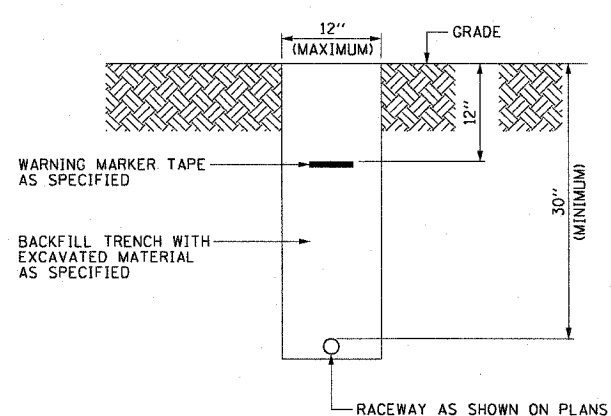
3x1 DUCTBANK DETAIL-
IN REINFORCED CONCRETE
NOT TO SCALE



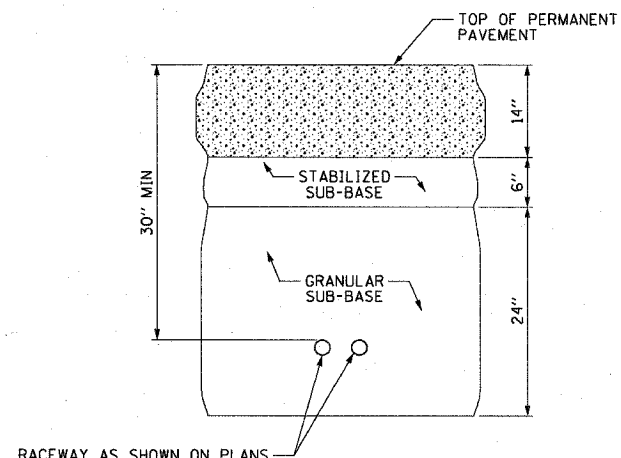
2x2 DUCTBANK DETAIL-
IN REINFORCED CONCRETE
NOT TO SCALE



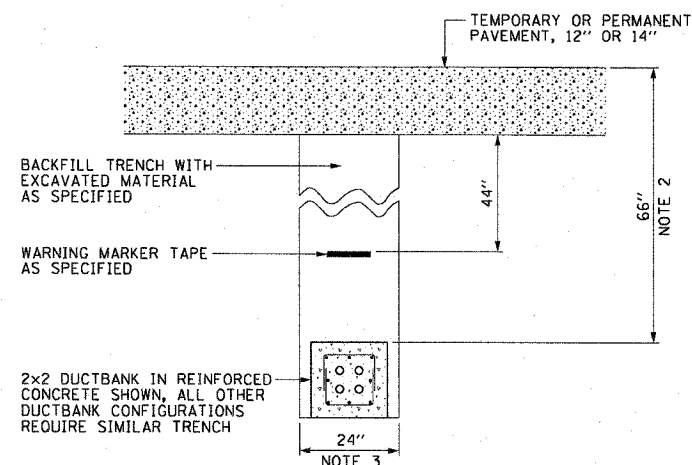
INTERLOCKING CONDUIT SPACER DETAIL
NOT TO SCALE



TYPICAL ELECTRICAL CONDUIT IN UNPAVED AREA
NOT TO SCALE



TYPICAL SURVEILLANCE CONDUIT UNDER PERMANENT PAVEMENT
NOT TO SCALE



TYPICAL ELECTRICAL DUCTBANK UNDER PAVEMENT
NOT TO SCALE

NOTES:

- SEE DRAWINGS EI-100 AND EI-101 FOR ELECTRICAL SYMBOLS AND ABBREVIATIONS.
- PROVIDE MINIMUM CLEARANCE SHOWN FROM TOP OF DUCTBANK TO FINISHED GRADE FOR ALL DUCTBANKS, REGARDLESS OF SIZE. CONTRACTOR MUST INSTALL DUCTBANKS SUCH THAT THEY WILL CLEAR ALL UNDERGROUND OBSTACLES.
- TRENCH MUST HAVE MINIMUM WIDTH SHOWN FOR ALL DUCTBANKS DETAILED ON THIS DRAWING. THE CONTRACTOR MUST INCREASE TRENCH WIDTH FOR ADDITIONAL CONDUITS, AS DIRECTED BY THE COMMISSIONER, AT NO ADDITIONAL COST.
- NOT ALL DUCTBANK CONFIGURATIONS ARE SHOWN. ALL DUCTBANKS INSTALLED UNDER THIS CONTRACT WILL CONFORM TO THE TYPICAL SPACINGS SHOWN ON THIS DRAWING.

DUCTBANK REINFORCEMENT TABLE		
DUCTBANK CONCRETE CROSS-SECTIONAL AREA SQ. INCHES	LONGITUDINAL REBAR	REBAR STIRRUPS
	BAR	
LESS THAN 450	#4	#3 AT 12" SPACING
451 TO 650	#5	#3 AT 12" SPACING
GREATER THAN 651	#6	#3 AT 12" SPACING

REVISIONS	
NAME	DATE

ILLINOIS DEPARTMENT OF TRANSPORTATION
F.A.I. 90/94 (DAN RYAN EXPRESSWAY)
GARFIELD BLVD TO 31ST STREET (SB LOCAL LANES)

ELECTRICAL DUCTBANK DETAILS

SCALE: NOT TO SCALE
DATE: June 9, 2006
DRAWN BY: HAR
CHECKED BY: JEC