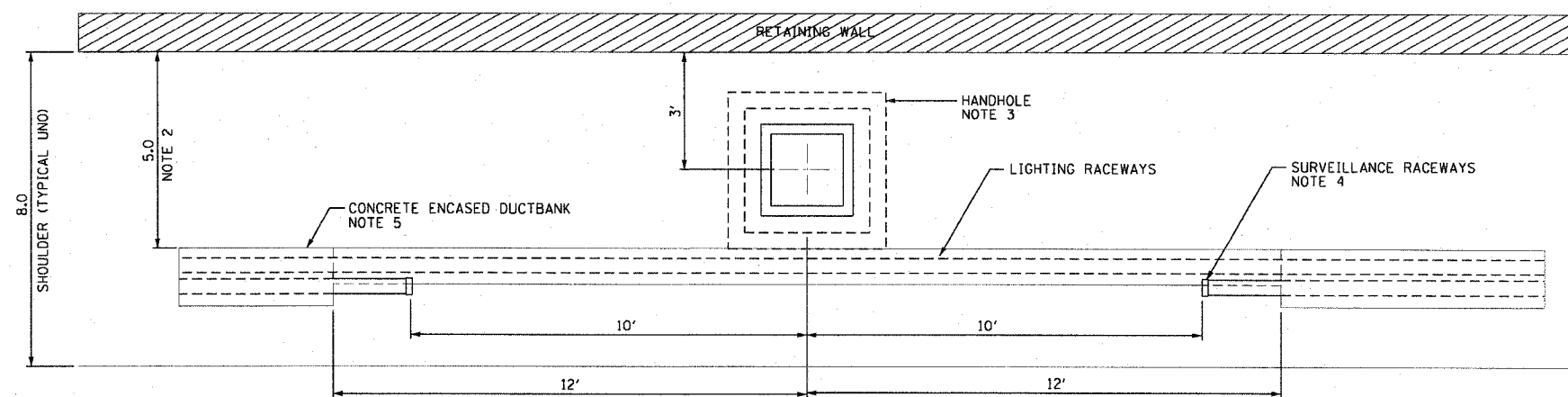
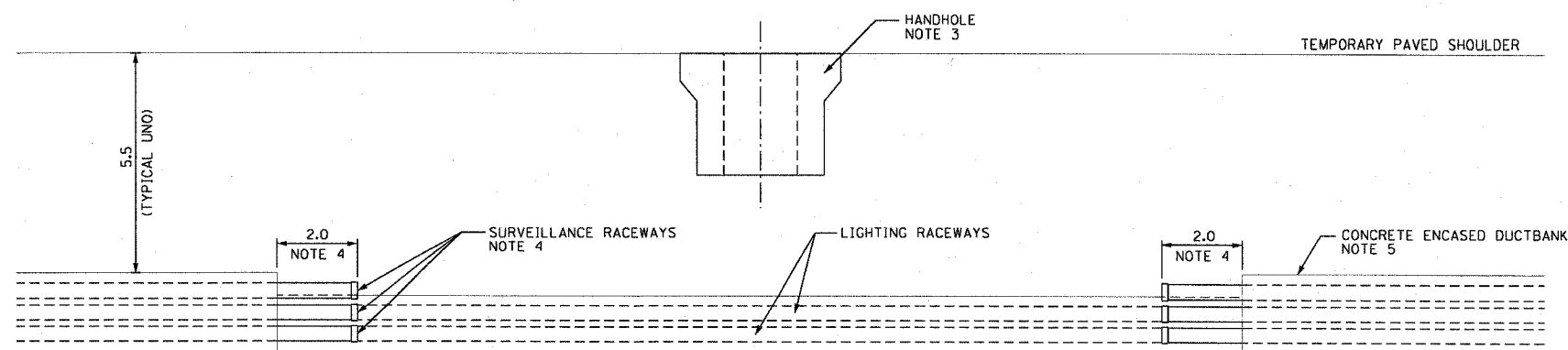


F.A.I. RTE.	SECTION	COUNTY	TOTAL SHEETS	SHEET NO.
90/94	•	COOK	588	341
STA.		TO STA.		
FED. ROAD DIST. NO. 1		ILLINOIS FED. AID PROJECT		
62303		• (2021-922 PT2 ETC 2324.6-1P) R-11		



TOP VIEW



ELEVATION VIEW

NOTES:

- SEE DRAWING EI-106 FOR ELECTRICAL DUCTBANK DETAILS.
- THE DISTANCE IS MEASURED FROM THE FRONT FACE OF RETAINING WALL TO THE FACE OF DUCTBANK.
- THE HANDHOLE WILL BE INSTALLED CONTRACT 62303. THE PLANS SHOW THE ANTICIPATED LOCATIONS OF PROPOSED HANDHOLES. THIS SHEET IS INCLUDED TO PROVIDE THE CONTRACTOR WITH ANTICIPATED EXISTING CONDITIONS. DUCTBANK SHOWN WAS INSTALLED IN CONTRACT 62586.
- THE SURVEILLANCE RACEWAYS SHOULD BE STUBBED OUT FROM THE CONCRETE ENCASEMENT AND CAPPED AS SHOWN. THE DUCTBANK REINFORCING REBAR SHOULD ALSO BE EXTENDED OUT FROM THE CONCRETE ENCASEMENT A MINIMUM OF 2 FEET AS SHOWN.
- DUCTBANK WAS LOCATED 5 FEET FROM THE FACE OF WALL TO AVOID CONFLICTS WITH PROPOSED AND FUTURE DRAINAGE STRUCTURES.

CTE | AECOM

REVISIONS	
NAME	DATE

ILLINOIS DEPARTMENT OF TRANSPORTATION
 F.A.I. 90/94 (DAN RYAN EXPRESSWAY)
 GARFIELD BLVD TO 31ST STREET (SB LOCAL LANES)
**EXISTING DUCTBANK
 INSTALLATION DETAILS
 AT PROPOSED HANDHOLE**
 SCALE: NOT TO SCALE
 DATE: June 9, 2006
 DRAWN BY: HAR
 CHECKED BY: JEC

EI-108

06/07/2006 09:59:01 AM