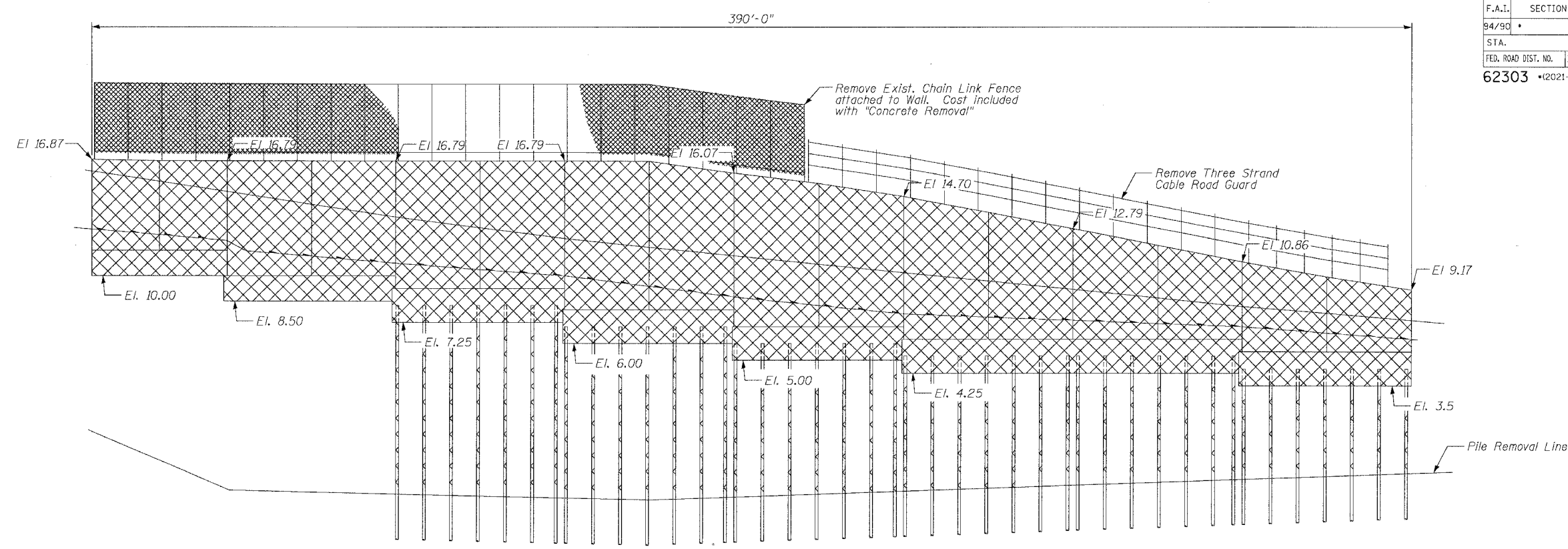
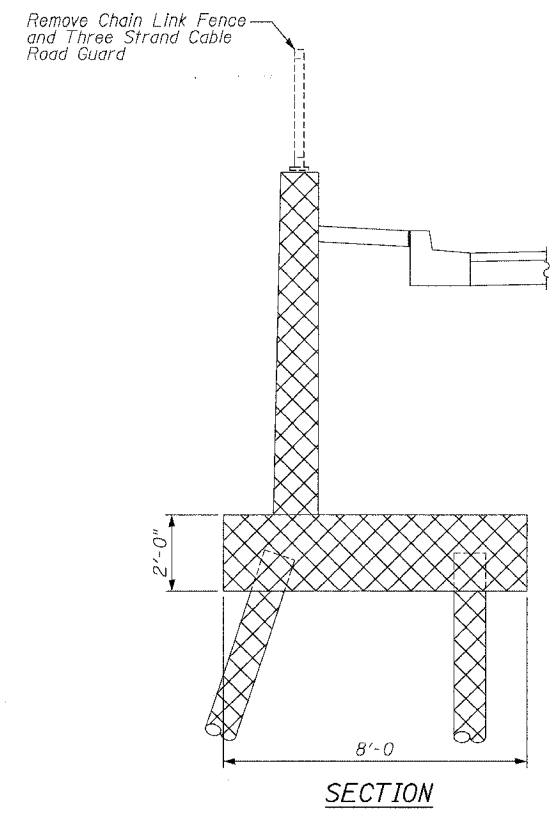


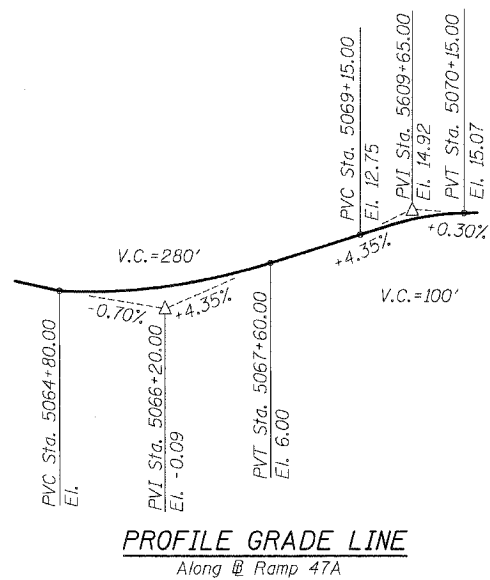
F.A.I.	SECTION	COUNTY	TOTAL SHEETS	SHEET NO.
94/90		COOK	588	398
STA.	TO STA.			
FED. ROAD DIST. NO.	ILLINOIS	FED. AID PROJECT		
62303 (2021-922 PT2 ETC 2324.6-1P) R-11				



FRONT FACE - EXISTING WALL W-2



BOWMAN, BARRETT & ASSOCIATES INC.
CONSULTING ENGINEERS
Chicago, Illinois
312.228.0100
www.bbandainc.com



CURVE DATA
CURVE A4700

P.I. STA = 5064+21.82
N = 1,874,765.22
E = 1,175,731.41
Δ = 22° 28' 55" (RT)
D = 3° 31' 33"
R = 1,625.00'
T = 322.97'
L = 637.62'
E = 31.78'
e = 4.4%
S.A. = STA 5060+00 (3.58%)
TO 5061+21.86
S.R. = STA 5067+13.48
TO 5067+83.48
P.C. STA = 5060+98.86
N = 1,875,087.21
E = 1,175,756.48
P.T. STA = 5067+36.48
N = 1,874,477.28
E = 1,175,585.12

LEGEND

- Removal of Existing Structures

BILL OF MATERIAL

ITEM	UNIT	QTY.
Removal of Existing Structures	Each	1

SHEET 2 OF 15

ILLINOIS DEPARTMENT OF TRANSPORTATION
F.A.I. 94/90 (DAN RYAN EXPRESSWAY)
GARFIELD BLVD TO 31ST STREET (SB LOCAL LANES)

RETAINING WALL S-47N-R
EXISTING RET. WALL-2
REMOVAL DETAILS

SCALE: NTS
DATE: JUNE 9, 2006

DRAWN BY: MTR
CHECKED BY: BLU

12/25/05 PM 6/8/2006