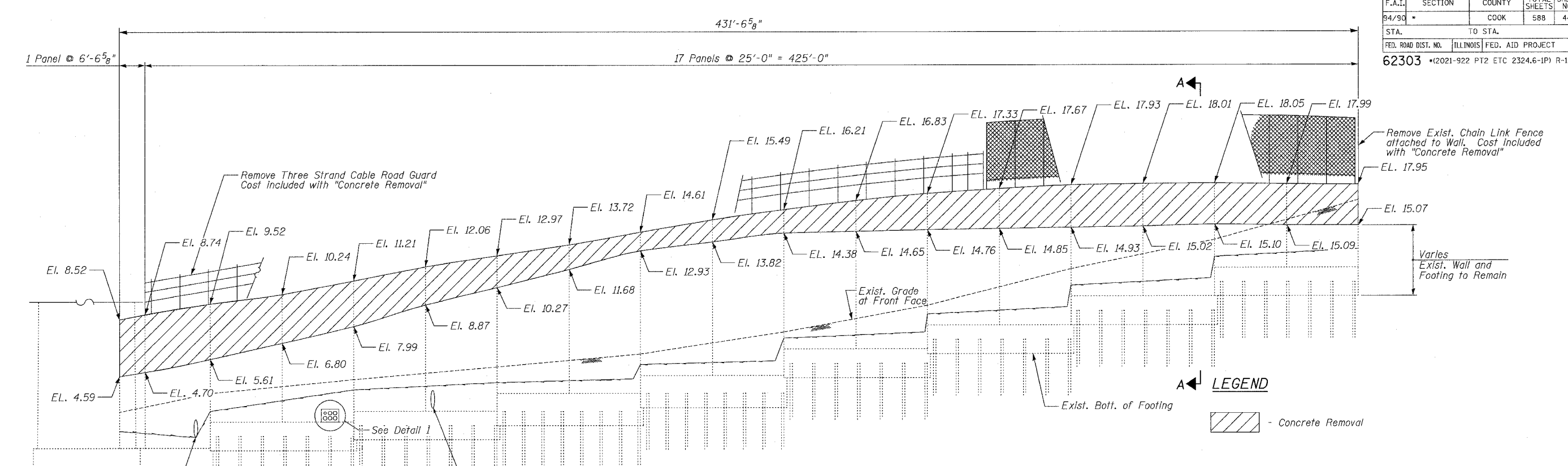
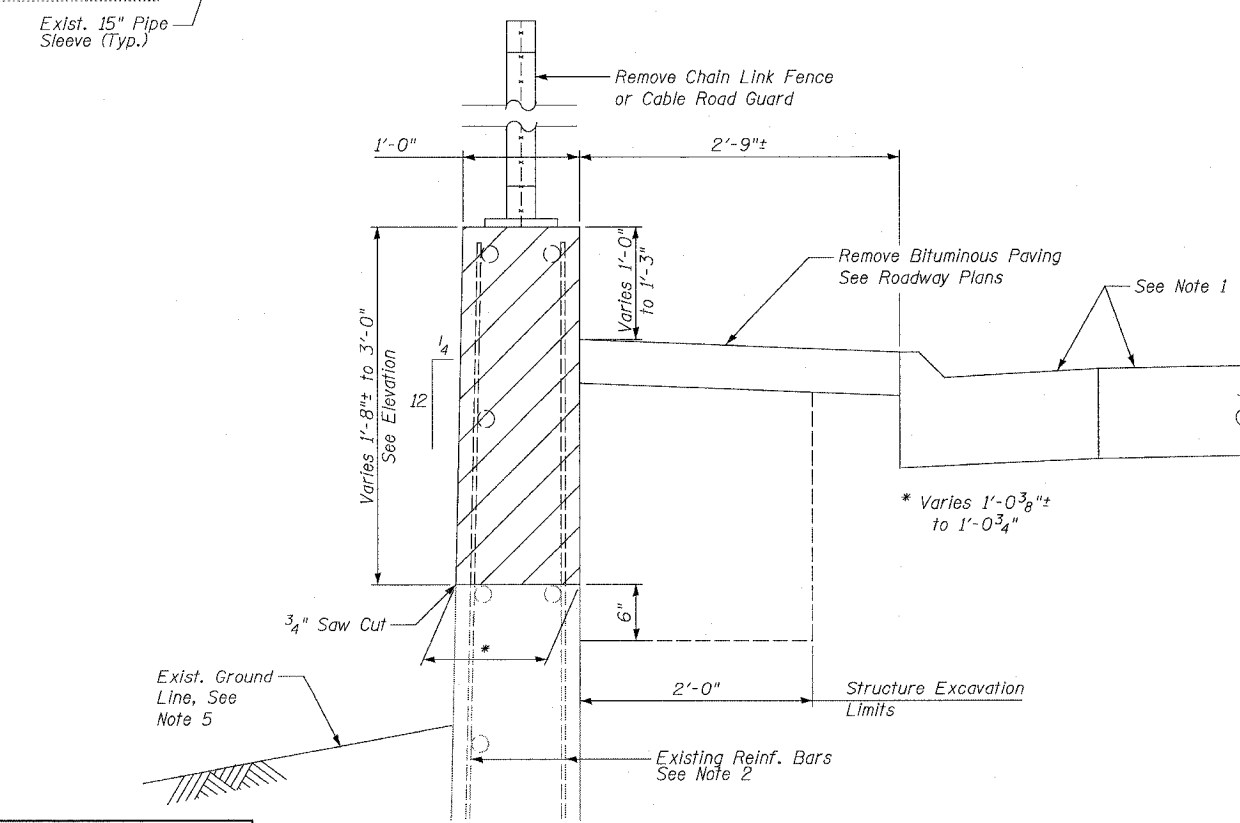


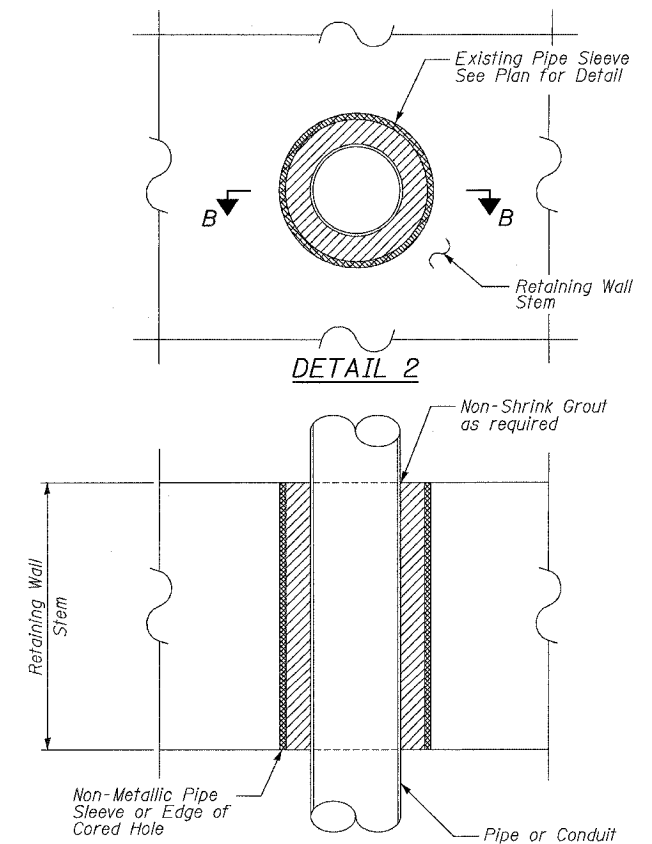
F.A.I.	SECTION	COUNTY	TOTAL SHEETS	SHEET NO.
94/90 *		COOK	588	446
STA.	TO STA.			
FED. ROAD DIST. NO.	ILLINOIS FED. AID PROJECT			
62303	*(2021-922 PT2 ETC 2324.6-1P) R-11			



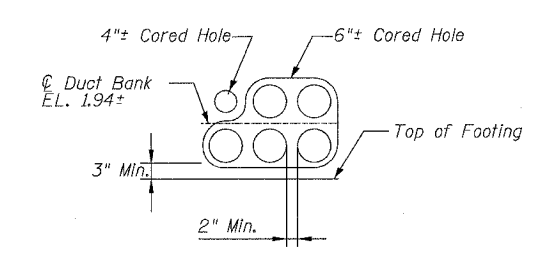
FRONT FACE ELEVATION - EXISTING WALL



SECTION A-A
(Looking South)



SECTION B-B



DETAIL 1
See Note 4

NOTES:

1. See Roadway Plans for limits of roadway removals.
2. Exist. vertical reinforcement bars to be cleaned, straightened and incorporated into new construction. Horizontal reinforcement bars shall be removed. Cost included with "Concrete Removal".
3. Saw cut wall at front face along removal line. Cost of saw cuts included with "Concrete Removal".
4. Provide 4" & 6" cored holes through existing wall for conduit, see Electrical Infrastructure Plans. Coordinate depth and layout of holes with Electrical Contractor. Space holes to miss vertical reinforcement. Fill annular space between cored hole and conduit with grout as shown in Detail 2 and as directed by Engineer. Cost of coring and filling of annular space shall be included with "Concrete Coring". See Special Provisions.
5. Excavation along front face required for wall removal shall be included with Concrete Removal.
6. Contractor shall use care when removing existing pipe through wall. Damage shall be repaired at his own expense. Clean opening of existing grout. Coordinate with Drainage Contractor for installation of proposed storm sewer. Grout annular space with non-shrink grout. Cost included with Ductile Iron Pipe Storm Sewer 12".

SHEET 2 OF 8

REVISIONS	
NAME	DATE
REVISED	6/21/06
REVISED	7/11/16

ILLINOIS DEPARTMENT OF TRANSPORTATION
 F.A.I. 94/90 (DAN RYAN EXPRESSWAY)
 GARFIELD BLVD TO 31ST STREET (SB LOCAL LANES)
RETAINING WALL S-39S-R
EXISTING RETAINING WALL
REMOVAL DETAILS
 SCALE: NTS
 DATE: JUNE 9, 2006
 DRAWN BY: PAH
 CHECKED BY: BLU

BOWMAN, BARRETT & ASSOCIATES INC.
 CONSULTING ENGINEERS
 Chicago, Illinois
 312.228.0100
 www.bbainc.com

11/13/2006 5:56:04 PM
 W:\660\94\90\CONV\94RET WALL\660_95\FRONT ELEV.DWG