

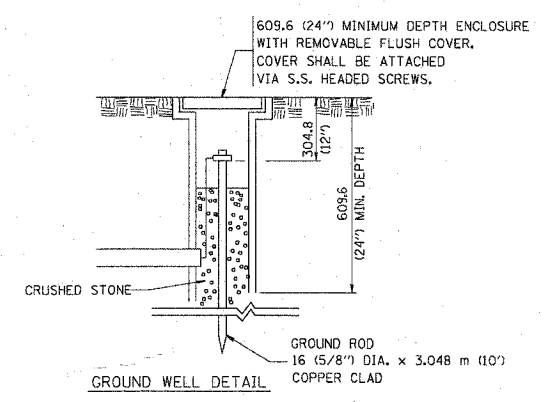
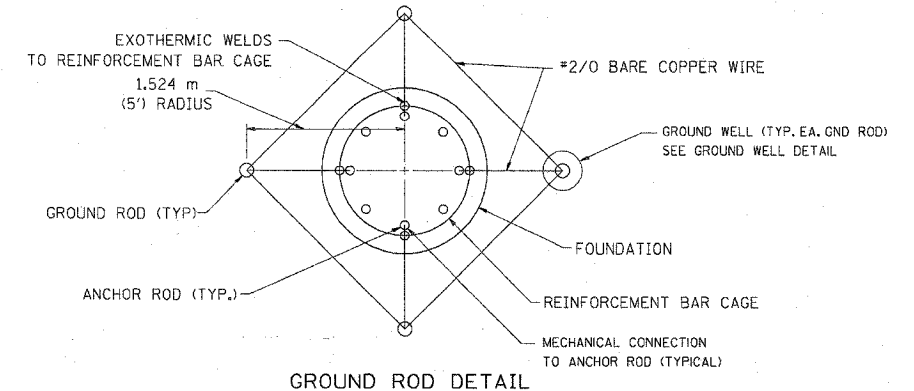
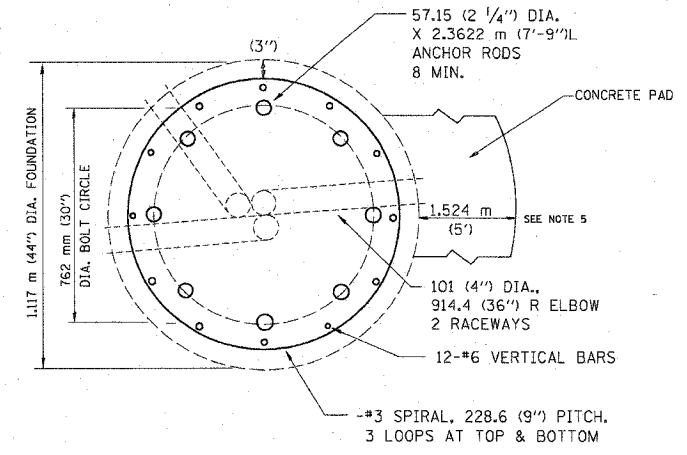
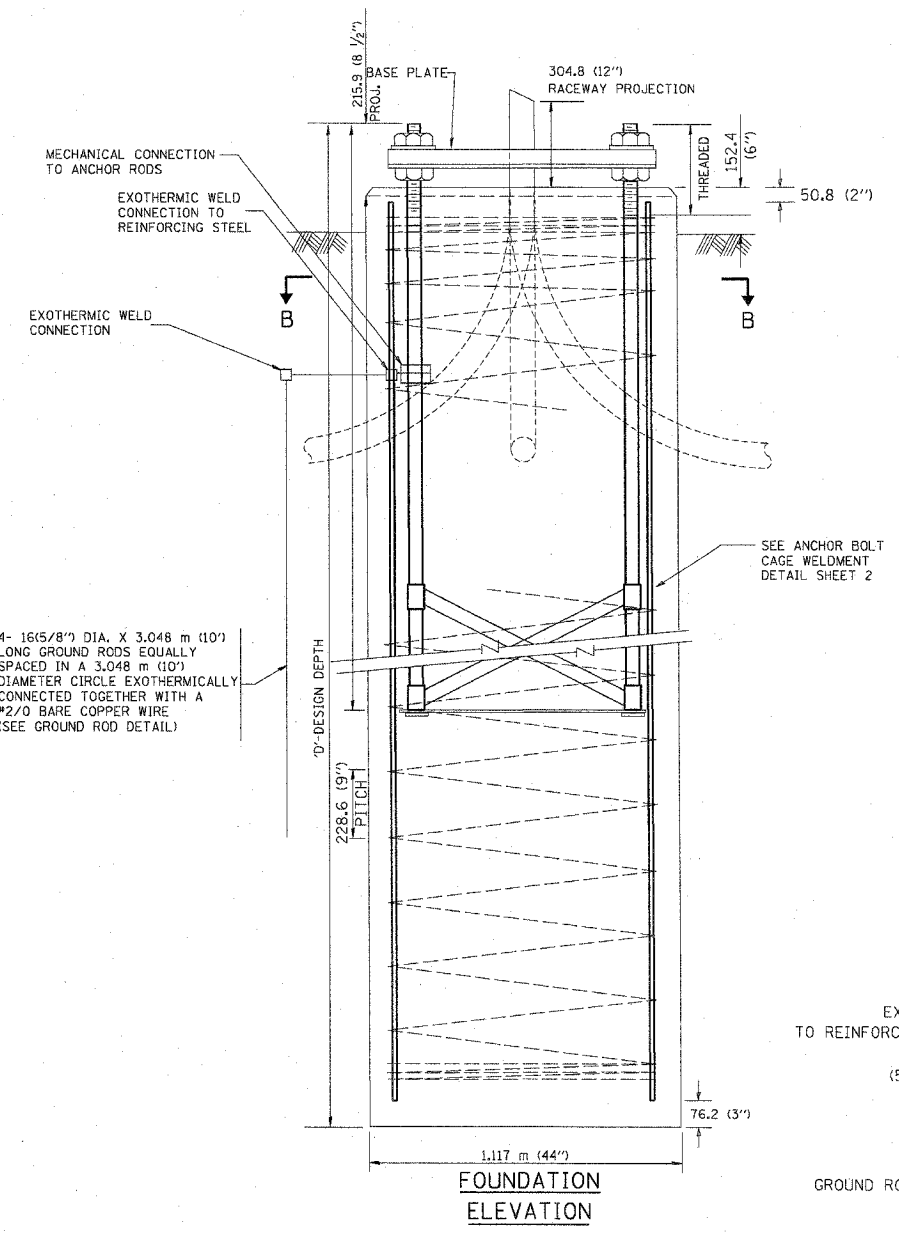
F. A. NO.	SECTION	COUNTY	TOTAL SHEETS	SHEET NO.
			588	487
STA.		TO STA.		
FED. ROAD DIST. NO. 1		ILLINOIS	FED. AID PROJECT	

**LIGHT TOWER FOUNDATION DEPTH "D"**

MOUNTING HEIGHT	SOIL CONDITIONS					
	SOFT CLAY Qu = 0.375 TON/SQ. FT	MEDIUM CLAY Qu = 0.75 TON/SQ. FT	STIFF CLAY Qu = 1.50 TON/SQ. FT	LOOSE SAND φ = 34°	MEDIUM SAND φ = 37.5°	DENSE SAND φ = 40°
27m (90 ft)	8.779m (29 ft)	6.035m (20 ft)	4.389m (15 ft)	4.389m (15 ft)	3.840m (13 ft)	3.429m (12 ft)
30m (100 ft)	9.754m (32 ft)	6.706m (22 ft)	4.877m (16 ft)	4.877m (16 ft)	4.267m (14 ft)	3.81m (13 ft)
33m (110 ft)	10.719m (35 ft)	7.377m (24 ft)	5.365m (18 ft)	5.365m (18 ft)	4.694m (15 ft)	4.191m (14 ft)
36m (120 ft)	11.705m (38 ft)	8.046m (26 ft)	5.652m (19 ft)	5.652m (19 ft)	5.120m (17 ft)	4.572m (16 ft)

**DESIGN NOTES**

- (1) ALL DIMENSIONS IN MILLIMETERS (INCHES) UNLESS OTHERWISE SHOWN
- (2) THE HOLE FOR THE FOUNDATION SHALL BE ACCORDING
- (3) THE ANCHOR RODS SHALL BE VERTICAL NO ADJUSTMENT SHALL BE ALLOWED AFTER THE FOUNDATION IS PLACED.
- (4) THE GAP BETWEEN THE FOUNDATION AND THE BASE PLATE SHALL BE ENCLOSED WITH A STAINLESS STEEL SCREEN FASTENED WITH A STAINLESS STEEL BAND.
- (5) THE TOP OF THE FOUNDATION TO 450 (18") BELOW GRADE SHALL BE FORMED.
- (6) A CONCRETE WORK PAD SHALL BE PROVIDED AS INDICATED IN THE PLANS AS A PART OF THIS ITEM.
- (7) SURFACE WATER WILL NOT BE PERMITTED TO ENTER THE HOLE AND ALL WATER WHICH MAY HAVE INFILTRATED INTO THE HOLE SHALL BE REMOVED BEFORE PLACING CONCRETE.
- (8) THE LIGHT TOWER SHALL NOT BE ERECTED UNTIL AFTER THE CONCRETE HAS BEEN CURED ACCORDING TO ARTICLE 1020.13.
- (9) ANCHOR RODS SHALL BE STRAIGHT AND SHALL BE ACCORDING TO AASHTO M 314 OR ASTM F1554, GRADE 725(GRADE 105) AND GALVANIZED ACCORDING TO ARTICLE 1006.9.
- (10) ANCHOR ROD INFORMATION SHALL BE SUBMITTED FOR APPROVAL AND SHALL BE FULLY COORDINATED FOR APPROVAL WITH TOWER MANUFACTURER REQUIREMENTS.
- (11) REINFORCEMENT BARS SHALL BE ACCORDING TO ARTICLE 1006.10
- (12) TWO ANCHOR RODS OPPOSITE EACH OTHER SHALL HAVE THE ANCHOR ROD THREADS PEENED AFTER NUTS ARE INSTALLED.



REVISIONS	
NAME	DATE

ILLINOIS DEPARTMENT OF TRANSPORTATION  
**HIGH MAST LIGHT TOWER**  
 27m TO 36m (90FT TO 120FT)  
**FOUNDATION DETAIL**  
 SHEET 1 OF 2  
 SCALE: NONE  
 DATE 10/18/2002  
 DRAWN BY  
 CHECKED BY  
 BE08 (BES01)  
 REVISION DATE: 04/22/02

\*DATE-TIME\*  
 \*DGN-SPEC\*  
 V1-BEB